



Spa

for private use

de uso privado
pour un usage privé
für Private Nutzung
per uso privato
para uso privado
voor prive-gebruik

INSTALLATION MANUAL

MANUAL DE INSTALACIÓN - MANUEL D'INSTALLATION- MONTAGENHANDBUCH
MANUALE D'ISTRUZIONI - MANUAL DE INSTALAÇÃO - INSTALLATIEHANDLEIDING

V/1.0 2019

SM-INS-PR

DOC 0328



CONTENTS

1. GENERAL DETAILS	4
2. SAFETY WARNINGS	4
2.1. GENERAL	4
2.2. WARNINGS IN INSTALLATION AND ASSEMBLY WORKS	5
2.3. WARNINGS IN MAINTENANCE WORKS	5
3. INSTALLATION AND ASSEMBLY	6
3.1. POSITIONING AND LOCATION OF THE SPA	6
3.2. OUTDOOR INSTALLATION	6
3.3. INDOOR INSTALLATION	7
3.4. PORTABLE LEVELLING SPAS	7
3.5. SWIMSPA INSTALLATION	8
3.6. INGROUND SPA INSTALLATION	11
4. DRAINAGE OF THE SPA	12
5. ELECTRICAL CONNECTION	13
6. START-UP	20
6.1. FILLING PORTABLE SPAS	20
6.2. FILLING PORTABLE OVERFLOW SPAS	20
7. PROBLEMS AND SOLUTIONS	22



IMPORTANT

This instructions manual contains fundamental information on the safety measures to be adopted when installing and starting-up the spa. It is therefore essential that both the Fitter and the User read these instructions before assembly and start-up.

1. GENERAL DETAILS

This manual contains all the information needed to fully enjoy your SPA. We recommend that you take some time to go over the points detailed below.

If you have any question or doubt on the operation or maintenance of this product, please contact your fitter or local dealer. They are specialists and their professional knowledge will help you to enjoy this product.

IMPORTANT: The manufacturer reserves the right to change the design or specifications without prior notice and without entering into any obligation.



ATTENTION - IMPORTANT

- Before carrying out any work on the Spa, it should be switched off from the electrical supply (differential in the OFF position, or disconnect the mains cable).
- This equipment can not be connected to a normal plug.
- This equipment requires suitable electrical installation. This should be performed by a qualified person following the electrical safety standards of each country.
- The electrical supply of the Spa should always be protected by a highly sensitive differential. A 30 mA differential is recommended.
- Earth connection is essential. The earthing circuit of the building should always be in perfect condition to guarantee the safety of the Spa user. If you have any doubts on this, ensure that the earth circuit is checked by a qualified person. The manufacturer is not responsible for possible damage caused by unsuitable maintenance of the earth circuit.
- Do not connect the electrical equipment (differential in the ON position), if the Spa is empty of water.
- Use a cable of a section suitable to the power of the Spa and the distance to the panel.
- Always observe the instructions included in Safety Warnings chapter of this manual.
- Never try to access an electrical component unless you are qualified or are the Head of Maintenance.
- Never handle electrical elements with wet feet.
- Means must be incorporated to disconnect the spa from the electrical network as part of the fixed installation, according to the current regulations.

2. SAFETY WARNINGS

2.1. GENERAL

- This appliance can be used by children aged from 8 years and above and persons with reduced physical, sensory or mental capabilities or lack of experience and knowledge if they have been given supervision or instruction concerning use of the appliance in a safe way and understand the hazards involved.
- Children shall not play with the appliance.

- Cleaning and user maintenance shall not be made by children without supervision.
- Avoid contact with electrical voltage.
- Carefully follow current regulations regarding accident prevention.
- Any modification on the equipment requires prior authorisation from the manufacturer. Original spare parts and accessories authorised by the manufacturer guarantee greater safety. The manufacturer of the equipment is exempt from all liability for damages caused by using non-authorised spare parts or accessories.
- During operation, some parts of the equipment are at dangerous electrical voltage levels. Work on each element or equipment can only be performed once it has been disconnected from the mains and having disconnected the start-up devices.
- The user should ensure that assembly and maintenance works are carried out by qualified and authorised persons, and that they have carefully read the installation and service instructions.
- Safety in the operation of the machine can only be guaranteed if installation and service instructions are followed.
- The limits indicated in the electrical control panel cannot be exceeded under any circumstances.
- Contact the Technical Service of the manufacturer or the local dealer of the manufacturer in the event of malfunction or a breakdown.
- The Spa should be installed following current regulations applicable in each country, particularly those referring to electrical safety.
- There is risk of flooding with this equipment, and therefore it should be installed in an area prepared to collect and drain any water that may overflow (both under and around the spa), owing to its use or possible leaks in any of the circuits. (See the Guarantee).
- The equipment should be installed in a place which has been properly prepared and where all components of the Spa can be easily accessed. The guarantee does not cover work needed to be carried out to install or replace the product. (See the Guarantee).
- The appliance should be supplied through a residual current device (RCD) with a rated tripping current not exceeding 30 mA
- The floor has to be capable of supporting the expected load
- In case you use a cover that does not have fastening and/or safety elements for preventing unsupervised access to your spa, it is recommended that you install an alternative element (e.g., access control system, fence, etc.) to prevent the unauthorised access to and use of your spa.

2.2. WARNINGS IN INSTALLATION AND ASSEMBLY WORKS

- During the electrical connexion with the equipment have special care in the layout of the cables in the bypass box, make sure no pieces of cables are in the box after closing and that the ground connexion is correctly done.
- Pay special care that no water enters in contact neither with the pumps neither with the electrical parts under tension.

2.3. WARNINGS IN MAINTENANCE WORKS

- Before carrying out any electrical or mechanical maintenance work, make sure that the machine is disconnected from the mains, and that the start-up devices are blocked.
- Do not handle the equipment with wet feet.

3. INSTALLATION AND ASSEMBLY

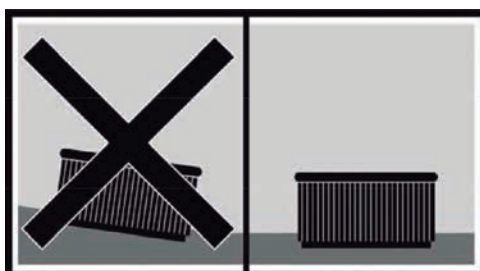
Before installing and assembling the Spa, ensure that the packaging of the Spa is in perfect condition. Contact your distributor immediately if the packaging is damaged.

3.1. POSITIONING AND LOCATION OF THE SPA

Position the Spa horizontally, placing the whole base of the unit on a smooth, flat and level surface, capable of supporting the weight when used (full of water, plus the weight of the bathers).

The Spa cannot be placed on a curved surface or on blocks.

The side where the motors are located should be fully accessible. In order to carry out maintenance tasks, the location of the Spa should enable it to be moved so that all its sides can be easily accessed.



3.2. OUTDOOR INSTALLATION

If an outdoor location is chosen to place the Spa:

Do not expose the Spa to sunlight when it is empty and without a protection cover. Remember that prolonged exposure to sunlight may damage the surface of the Spa and its accessories. Acrylic rapidly absorbs heat from the sunrays reaching very high temperatures which will damage the Spa. Maximum absorption temperature is 60°C.



It is recommended to place the Spa away from trees, as falling leaves may block the filter.

If the Spa is placed inside glass structures, prevent sunrays shining directly on the Spa through the glass, as the temperature could be excessively hot.



The spa should not be left empty and uncovered at room temperatures over 20°C or below 4°C.

3.3. INDOOR INSTALLATION

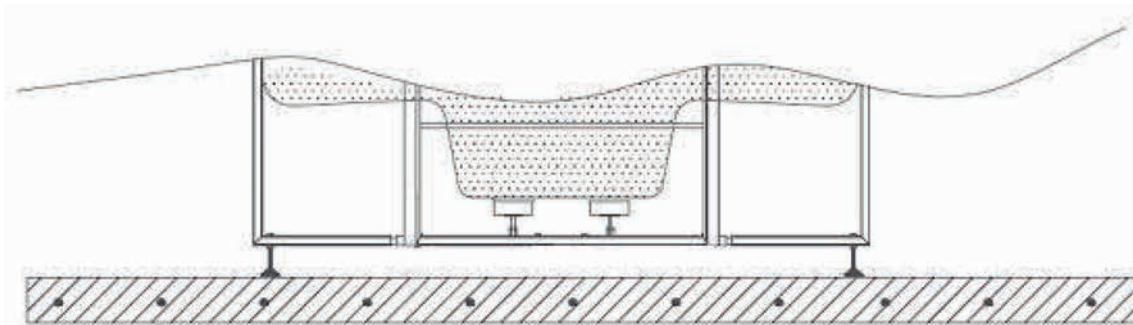
It is recommended to ensure drainage in the area of the Spa, to prevent water from accumulating around it and to avoid dangerous access areas for bathers.

Remember that the operation of the Spa causes increased damp and therefore, there must be a ventilation system to prevent damp from accumulating which could cause damage in the room where the Spa is located.

The use of a cover reduces heat loss and damp in the room.

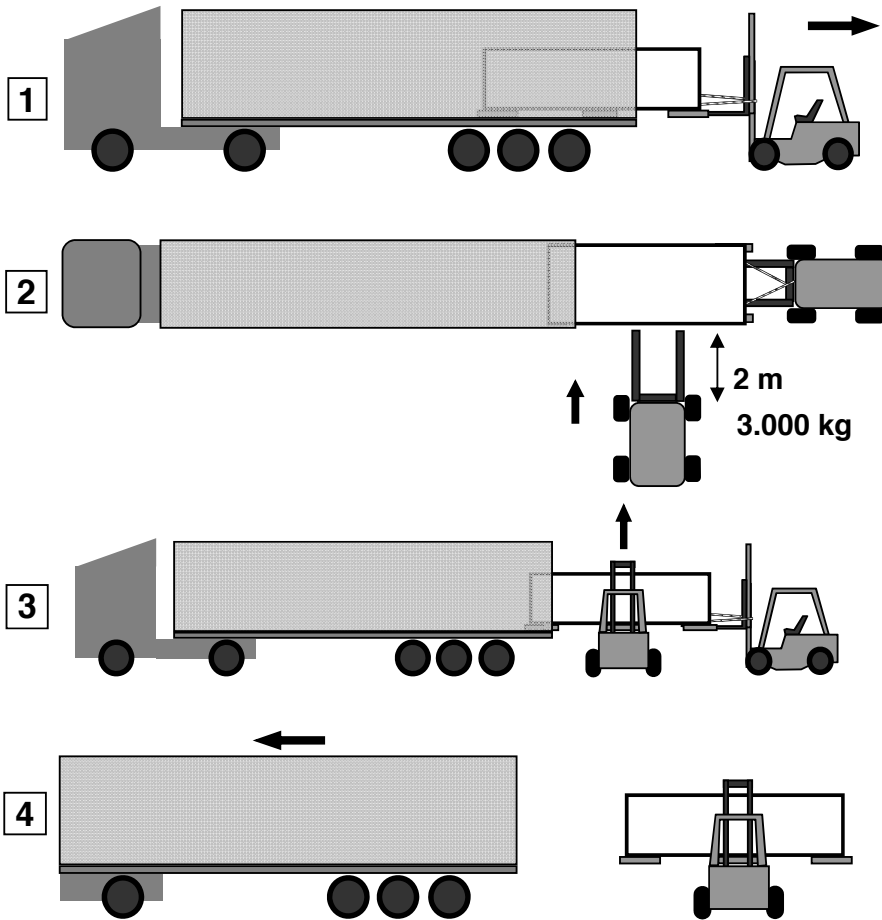
3.4. PORTABLE LEVELLING SPAS

Some spas come with an adjustable metal structure to facilitate their installation. This structure has several points of support. Before filling the spa, these points of support should be adjusted to ensure they are all in contact with the ground.

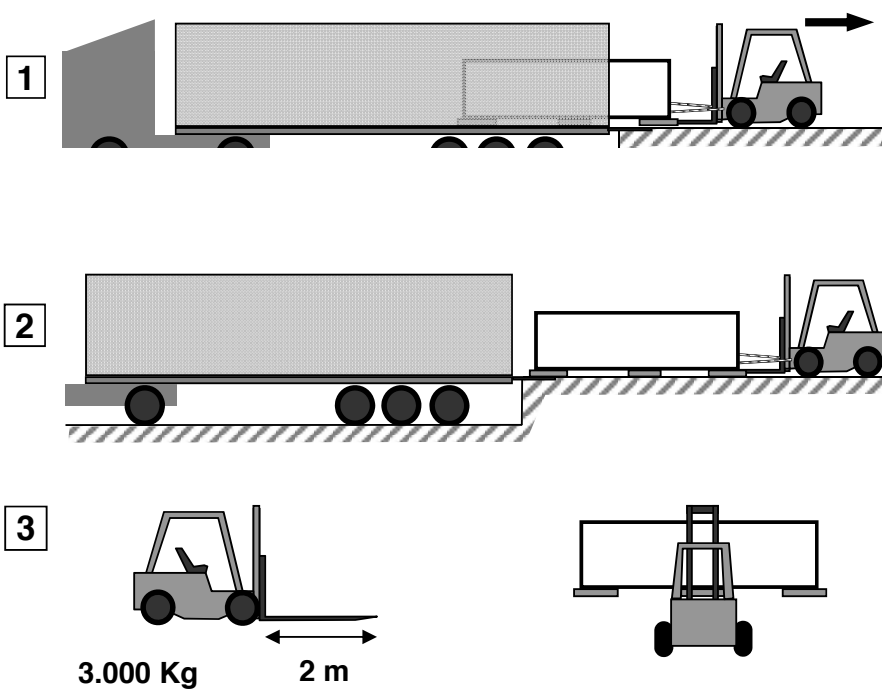


3.5. SWIMSPA - INSTALLATION

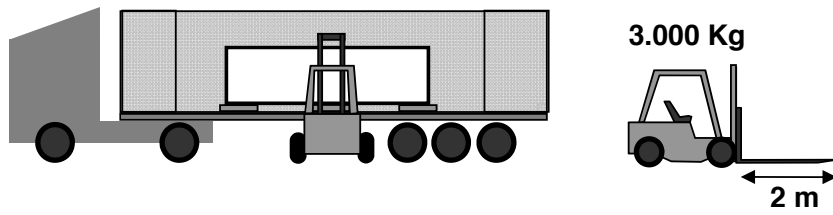
A. Swimspa - Container Download



B. Swimspa - Container Download B

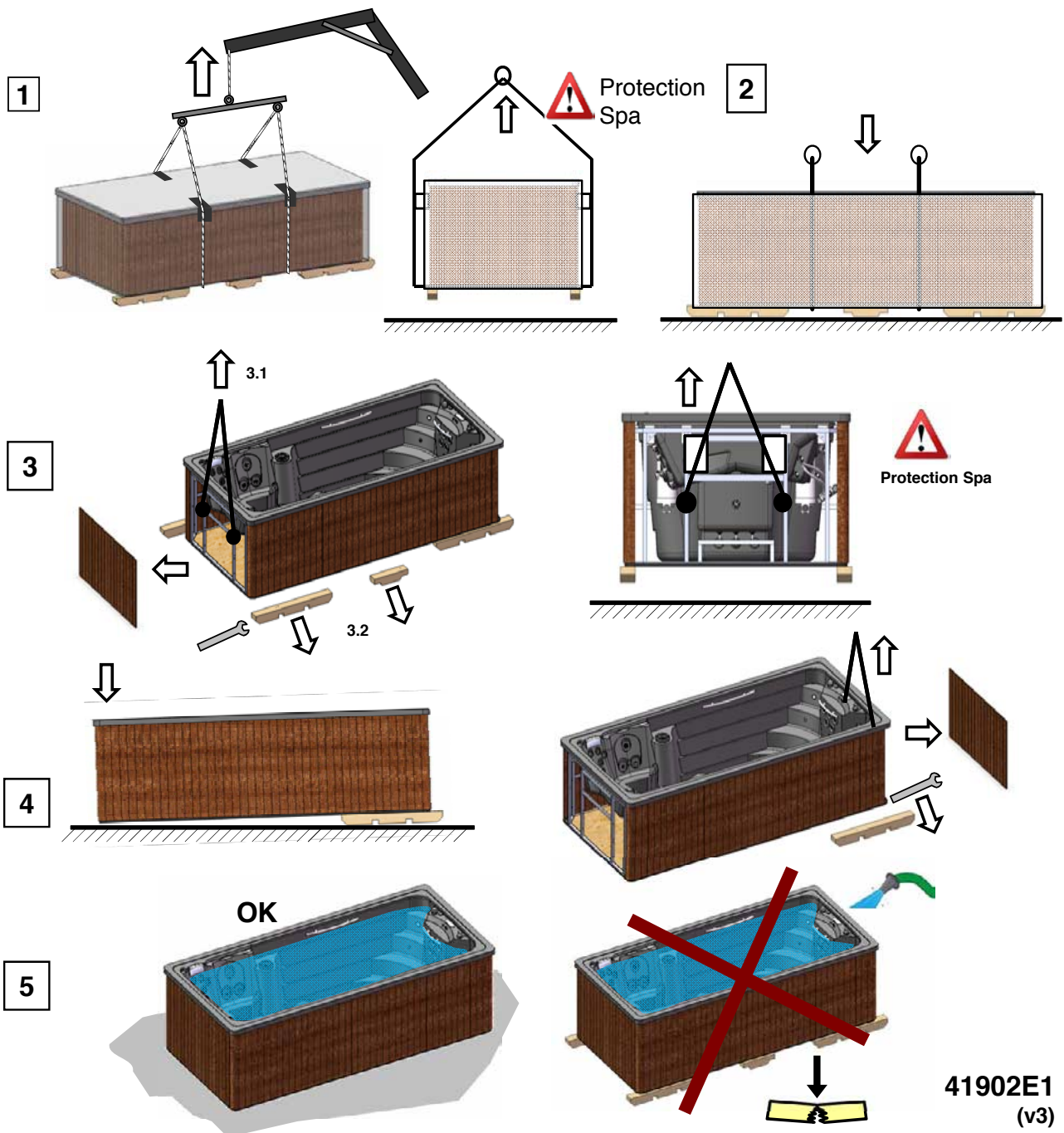


C. Swimspa - Truck Download



D. Swimspa - Installation

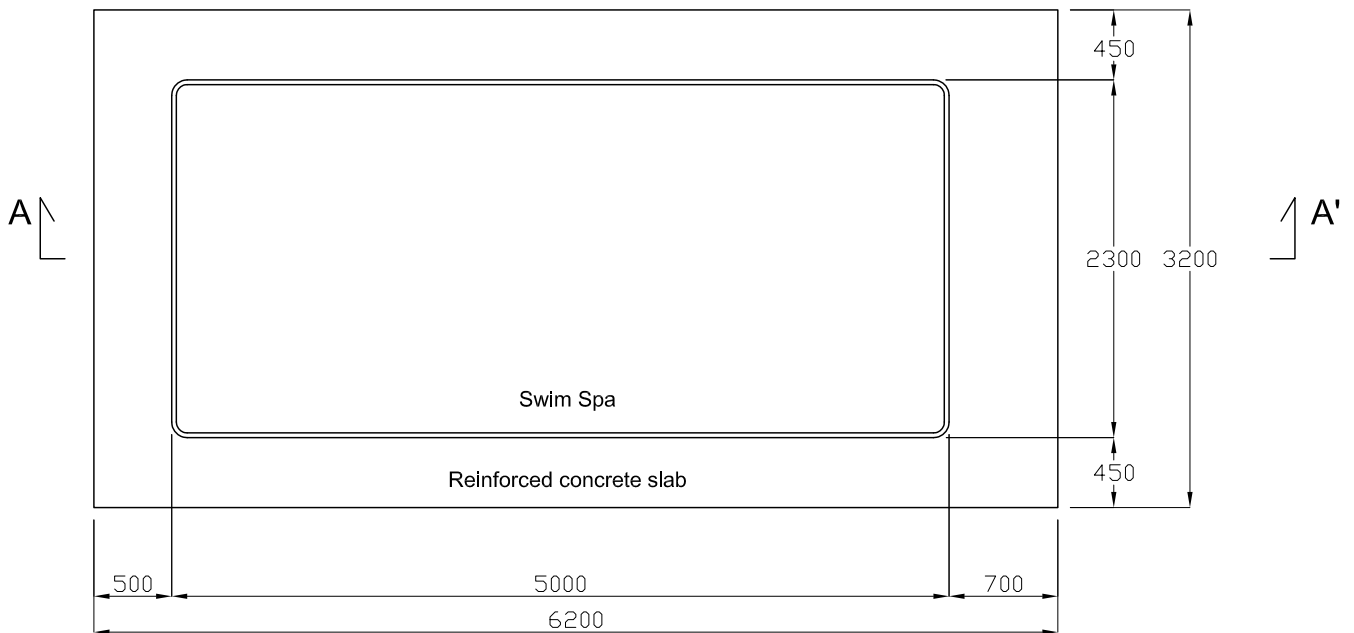
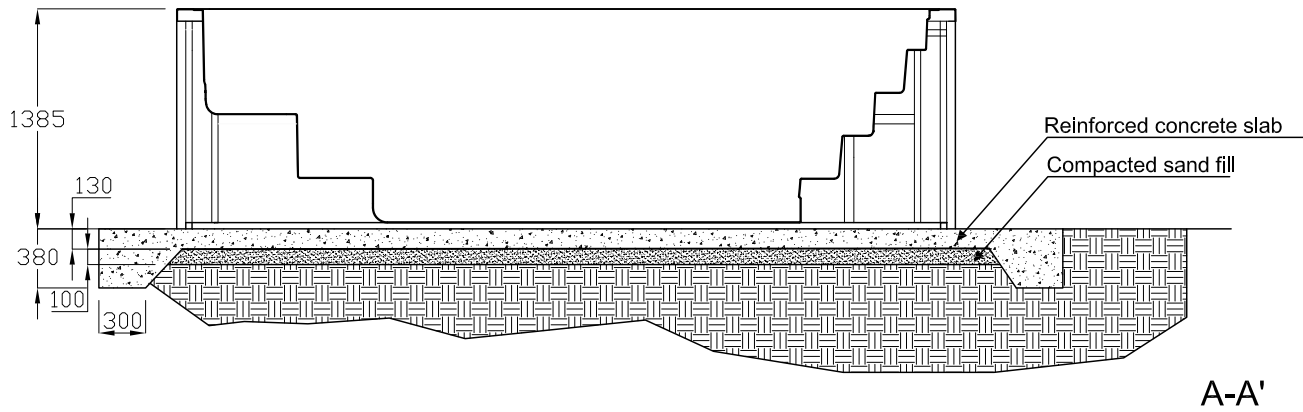
Dimensions & Weight:
See Technical Doc.



41902E1
(v3)

Foundation and material specifications

Dimensions in mm

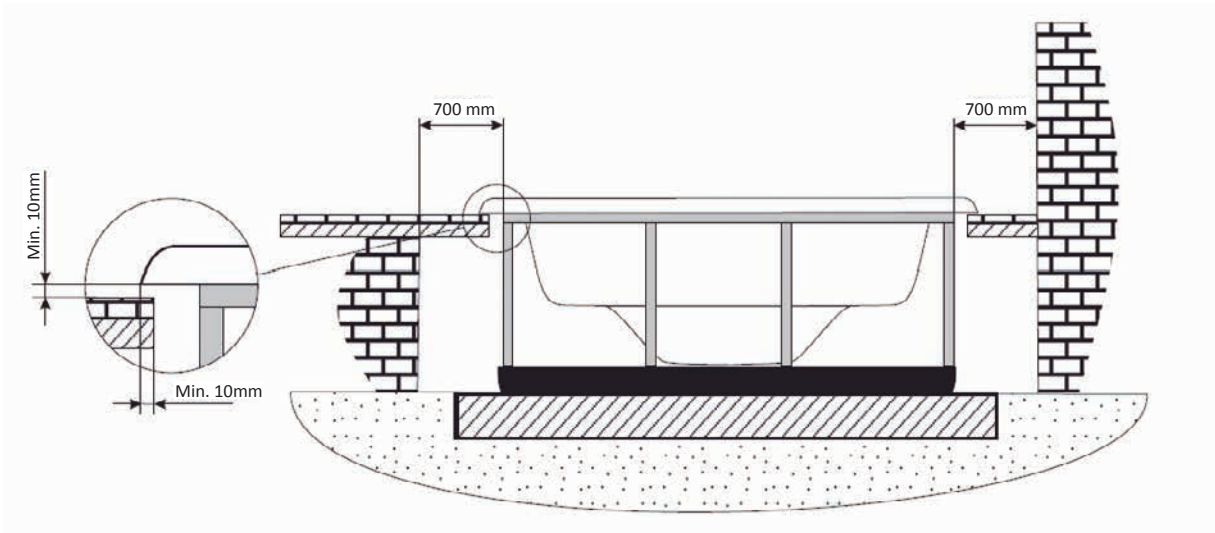


Notes:

This is a picture/illustrative example. It is recommended that an architect or engineer be consulted about the design and building work to ensure that the land is able to withstand the foundation slab when the swimspa is full of water, including the weight of the people who will be using it and the furniture or any other articles that will be in the area around the foundations. Local regulations on foundations and/or building work must also be complied with.

3.6. INGROUND SPA INSTALLATION

The Spa structure must be fixed on the floor. Do not hold the Spa by its outer edges.



Once settled the Spa, finish the work bearing in mind that the edging of the surface must not be in direct contact with the work (a minimum of 1 cm must be left around the edge).

Bear in mind that you will have to leave enough space to access to the pumps and electrical connections for maintenance. This space should be at least of 0.7 meters.

To seal the tab to the Spa, use a special elastic silicone for aquatic installations.



IMPORTANT

Leave a trapdoor spa access for maintenance.
Never cover with concrete.
LEAVE 70cm CLEARANCE AROUND THE SPA.

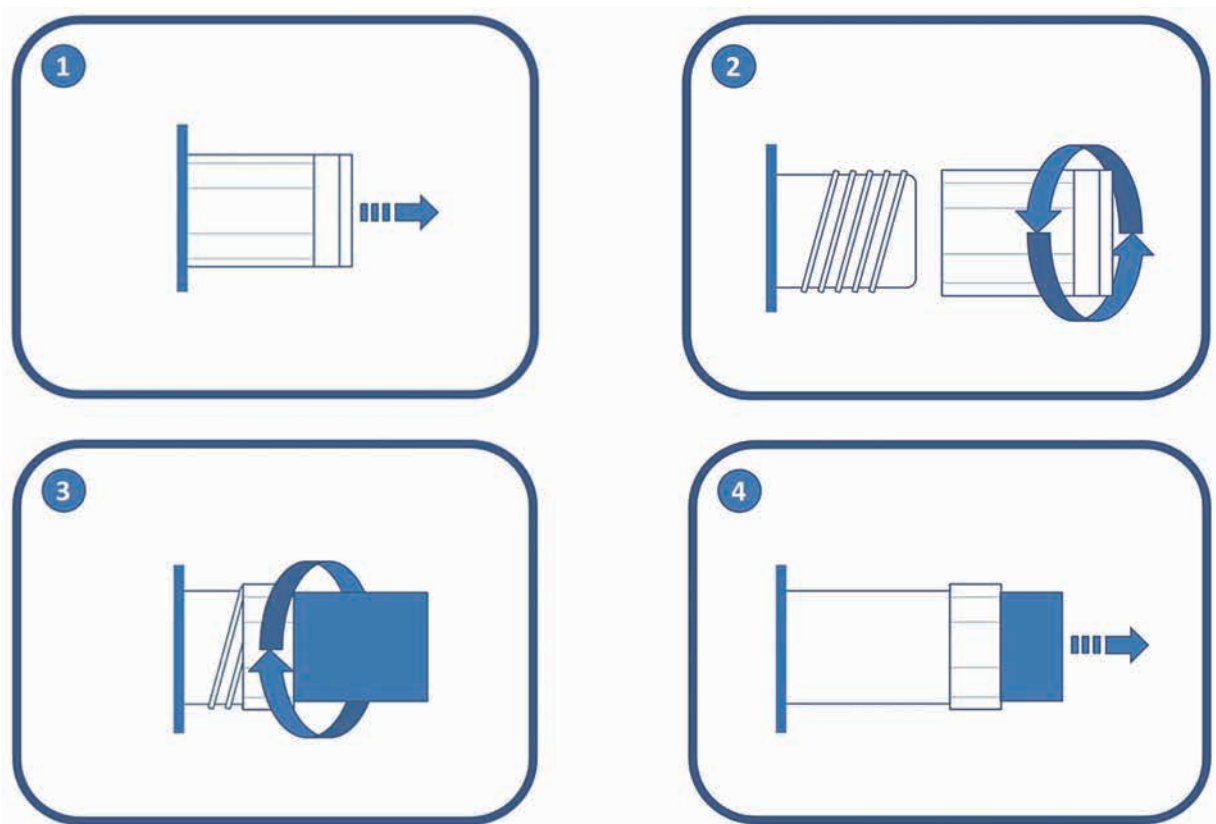
4. DRAINAGE OF THE SPA

The Spa has a manual emptying system by gravity, through a drainage valve of 3/4".

The drainage valve should always be closed. It should only be open when the Spa is emptied.

If necessary, a drainage system can be installed to connect the Spa to the general drains of the house. In this case, the steps 5 and 6 are not necessary.

Operation of the valve is:



IMPORTANT

Remember that when you drain your spa not all of the water runs off. If your spa is not going to be used for long periods, especially in winter, remove any stagnant water on the seats and on the bottom of the spa with a sponge.

Any water remaining in the pipes can be sucked out through the water and air nozzles using a liquid suction pump.

The pumps must also be emptied through the drain plug.

5. ELECTRICAL CONNECTION



ATTENTION – VERY IMPORTANT

- This equipment cannot be connected to a normal plug.
- This equipment requires suitable electrical installation. This should be done by a specialised fitter following local electrical safety regulations of each country.
- The electrical input of the Spa should always be protected by a highly sensitive differential. A 30 mA differential is recommended.
- Earthing connection is essential.
- Use a suitable section cable bearing in mind the power of the Spa and distance to the control panel.
- Always follow instructions given in the *Safety Warnings* chapter of this manual.



ATTENTION - RISK OF ELECTRIC DISCHARGE

- The electrical supply should be switched off (differential in the OFF position or disconnect the cable from the mains) before carrying out any work.
- Never try to access an electrical component unless you are qualified or are the Head of Maintenance.
- Always use suitable personal protection equipment and tools when handling electrical equipment.
- Never access electrical elements if you are wet, particularly if you have wet feet.
- Do not connect the electrical equipment (differential in the ON position), if the Spa is empty of water.

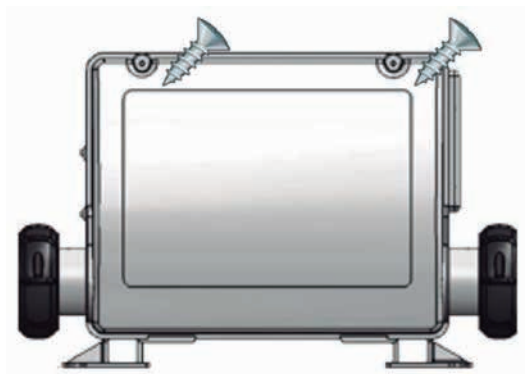
Follow these steps to connect the Spa:

Locate the electrical panel of the Spa.

Locate the electrical control panel; to do this, open the side panel to access the electrical components.



Open Electrical Box.



Connect the electrical control panel of the Spa to the differential switch.

Installation of the differential

The electrical installation should incorporate a high-sensitive 2-pole differential in the general mains input panel (the differential is not supplied with the Spa).

**WARNING**

It is essential that the owner of the Spa tests the differential switch at least once a month, to check its good working order.
Check that the differential is in the *OFF* position. Do not place the differential in the *ON* position until the Spa is filled with water.

Connect the electrical control panel of the Spa to the differential switch

Before carrying out any work on the Spa, make sure it is disconnected from the mains (differential switch in the *OFF* position, or disconnect the cable from the mains).

Use a suitable cable from the differential switch to the electric cabinet of the Spa, depending on the location and applicable law. The cable section will vary depending on the Spa model and the distance of the installation.

The required kW are indicated in the appendix *Technical Specifications of the Spa*. The maximum power must be considered, depending on the “High Amp” or “Low Amp” configuration

High Amp / Low Amp setting

Power consumption can vary considerably depending on the spa setting selected. Therefore, the type of installation chosen will determine the amount of electricity consumed.

LOW AMP:

This setting disconnects the electric heater when any of the massage pumps are working, which reduces electricity consumption. This is the manufacturer’s default configuration.

HIGH AMP:

This setting makes it possible for all spa components to work at the same time. This type of installation consumes more power.

DIP SWITCH FUNCTIONS FOR BP SYSTEMS

Fixed-Function DIP Switches

- A1** Test Mode (normally off).
- A2** In “ON” position, add one high-speed pump (or blower) with Heater.
- A3** In “ON” position, add two high-speed pumps (or 1 HS Pump and Blower) with Heater.
- A4** In “ON” position, add four high-speed pumps (or 3 HS Pumps and Blower) with Heater.
- A5** In “ON” position, enables Special Amperage Rule B. See Special Features section under Configuration Options for functionality with your system. In “OFF” position enables Special Amperage Rule A.
- A6** Persistent memory reset (Used when the spa is powering up to restore factory settings as determined by software configuration).

A2, A3 and **A4** work in combination to determine the number of high-speed devices and blowers that can run before the heat is disabled. f.e. A2 and A3 in the ON position and A4 in the OFF position will allow the heater to operate with up to 3 high-speed pumps (or two HS Pumps and Blower) running at the same time. Heat is disabled when the fourth high-speed pump or blower is turned on.

Note: **A2/A3/A4** all off = No heat with any high-speed pump or blower.

Assignable DIP Switches

- A7** In “ON” position, enables a 5-minutes cool down for some gas heaters (Cooling Time B).
In “OFF” position, enables a 1-minute cool down for electric heaters (Cooling Time A).

Undesignated switches are not assigned a function.

IMPORTANT:

The Electric Specification Sheet attached at the end of this manual indicates both the “Low Amp” and the “High Amp” power. To determine the cable section of the electrical installation, see the values indicated in this sheet and the following table:

Table of required sections, distance and power

	KW required										
	2,1	2,5	2,8	3,2	3,5	4,4	5,3	6,2	7,0	7,9	8,8
Distance	Nominal section of the cable in mm ²										
6 - 11 m	2,5	2,5	2,5	2,5	4	4	6	10	10	10	10
11 - 15 m	2,5	2,5	4	4	4	6	6	10	10	10	10
15 - 20 m	4	4	4	6	6	6	10	10	10	16	16

For longer distances, increase the cable section accordingly.

Some configurations may require installing 1 32A line, 2 16A lines or even one three-phase line (3 x 16A) to cover the power required by the Spa.

The different configuration options of the electrical control panel are explained further on in this Installation Manual.

Remember that the installation and any changes in the electric configuration must be carried out by qualified personnel, following the current regulations in each country.

The manufacturer shall not be responsible for any damage caused by an improper installation or an installation performed by non-qualified personnel.



ATTENTION

Pay attention to the position of the maximum consumption switch. The Spa will not operate properly if a cable not corresponding to the distance and power of the Spa is used, and the electrical circuits may overheat which may cause an electrical accident. Always use cable with the suitable section of maximum consumption. In the event of doubt between two values, always use the cable with the greater section.

To connect the supply to the electrical panel of the Spa, locate the packing gland positioned at one end of the electrical panel.

Make sure that there is no electric current in the connection cable (differential switch in the *OFF* position).

Take the cable to the Spa electrical panel.

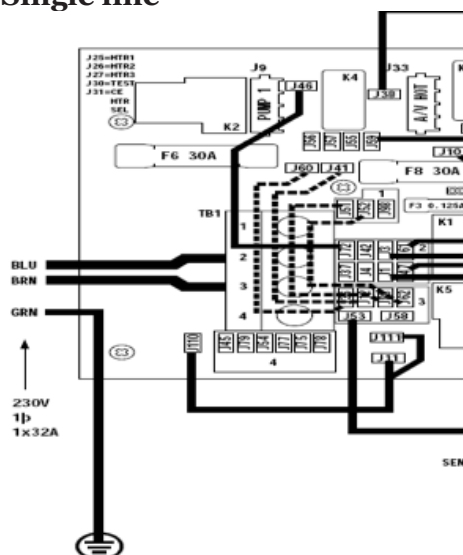
Open the cover of the electrical cabinet, insert the feed cable through the free side.

Attention: the indicated blue cable is neutral, and the brown cable indicates the line or phase.

Fasten the terminals as indicated in the following diagrams and the type of electrical supply

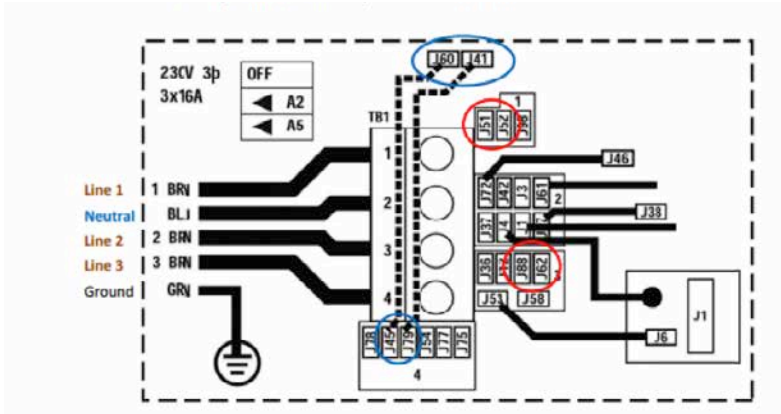
BP SYSTEM



Single line



How to connect BP2100 Systems in Three Phases 400v

Three-phase line



Remove bridges; J51-J88 and J52-J62 
 Changes this bridges
 J60-J36 -> TO J60-J45 
 J41-J12 -> TO J41-J79
 Power requirements:
 3 Services 5 wires: Line 2, Line2, Line 3, Neutral, Ground 400VCA, 50/60Hz 3 phase, 16A (Circuit breaker rating = 20A max each phase line).
 * BP systems automatically detect 50 Hz vs 60 Hz

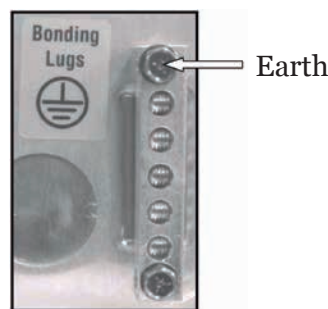


ATTENTION

Correct earthing is essential

The earthing circuit of the building should always be in perfect condition to guarantee the safety of Spa users. If you have any doubts on this, ensure that the earthing circuit is checked by a duly qualified person. The manufacturer will not be held responsible for possible damage caused by incorrect maintenance of the earthing circuit.

Fasten the earth cable (yellow and green) to the terminal on the outside of the control cabinet as shown in the following diagram:



ATTENTION

Do not connect the electricity (differential in the *ON* position) until the Spa is filled with water.

6. START-UP



ATTENTION

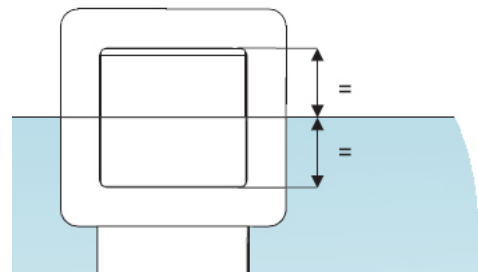
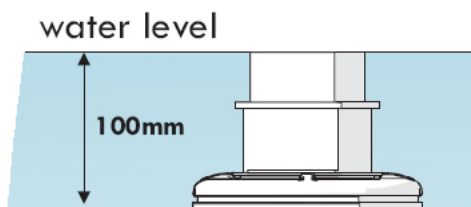
Before start-up, read the following points carefully.

6.1. FILLING PORTABLE SPAS

The Spa does not have a specific filling system. It is recommended to use a manual filling system with a garden hose or similar.

Proceed as follows:

- Before starting filling the Spa, locate the drain valve (see “Locating the drain valve”) and ensure that it is in the CLOSED position.
- Fill the Spa through the top, with clean water, to the level indicated.



6.2. FILLING PORTABLE OVERFLOW SPAS

It is recommended to fill the spa manually using a garden hose or a similar system.

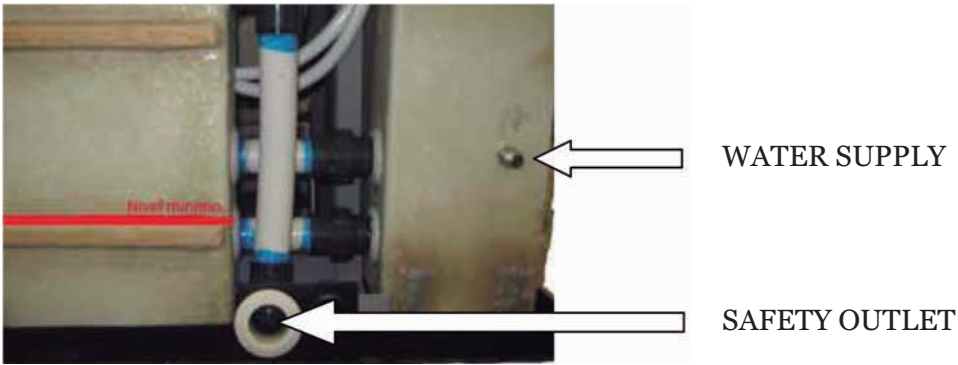
Proceed as follows:

Before filling the spa, find the drainage valves and ensure they are all closed, except for the safety outlet, which should always be open.

Fill the spa from above using clean water until the spa starts to overflow.

Fill the three water tanks with the automatic filling.

Connect the water supply to one of the tanks' inlets.



The spa has a filling system that works using a ball cock. The outlet of the ball cock must be connected to the mains supply at a constant water pressure.

When the spa loses water as a result of evaporation, the system automatically fills the tanks.

The compensation tanks have a safety outlet for removing water.



WARNING

The compensation tanks of private overflow spas have a limited capacity. they can hold 280 litres of water, equivalent to 4 partially submerged people. users should enter the spa one by one and slowly to enable the tanks to absorb the displaced water and prevent water from flowing out of the spa.



WARNING

During the filling process, water should be prevented from entering electrical parts. If seawater is used in the Spa, the circuit components will quickly deteriorate. Do not fill the Spa with hot water, as this could trigger off the safety thermostat and damage equipment and connections.

Once the Spa has been filled with water, connect the electrical equipment by placing the differential switch in the On position (See Electrical Connection).

Do not use the Spa without first carefully reading all the information detailed in the following points:

- Adjust water ph between 7,2 and 7,6 (see *instructions manual*).
- Add all required chemical products recommended in water maintenance (*instructions manual*)
- Select the required temperature (see *Installation and assembly of the spa*). remember that if the water is cold, it may take 24 hours to reach a temperature of 38°C.
- Before using the spa, check the ph values once again in case they have changed with the treatments indicated above.

7. PROBLEMS AND SOLUTIONS

Problems	Reasons	Solutions
Insufficient flow of filtered water.	Filter is blocked by dirt.	Wash the filter.
The massage pump of the Jets does not work. Spa does not work.	The cable of the digital control panel is disconnected from the board. No electrical supply. Differential is disconnected.	Connect the cable to the board. Check that the pump is connected to the electric control panel. Connect the differential.
The massage pump of the air <i>Blower</i> does not work.	The cable of the digital control panel is disconnected from the board. No electrical supply The pump has disconnected owing to overheating.	Connect the cable to the board. Check that the pump is connected to the electric control panel. Let it cool for about 3 hours and then start-up the pump again.
Water leaks out through the <i>Venturi</i> .	Jets are closed. Jets are not properly installed. The outer trim of the jet turns a quarter to open and close the water flow. If this trim makes a complete turn, it is not properly installed, and the jet will have to be removed and then placed correctly.	Open the jet. Remove the jet. Pull the outer trim about 2 cm. Unscrew the jet turning anti-clockwise. Once it has been dismantled, replace the jet, by screwing in a clockwise direction. Press the outer trim back into place.
Limited airflow in the Jets.	<i>Venturis</i> are closed.	Open the <i>Venturis</i> .
Reduced airflow.	Starter brushes of the motor are worn.	Change the pump.
The water does not reach the required temperature.	Probe is damaged. Check programmed temperature.	Replace the temperature probe. Programme the temperature.

Note: In the section Diagnosis message of the control panel (*User Manual*), the diagnosis messages to solve possible breakdowns are indicated.

ELECTRIC SPECIFICATION SHEET

2.0	4.8	7.6	13.2	19.6	32.0	5.4	12.0	CV	TOTAL OPTIONS (KW)	GROUP C2			GROUP C3			GROUP C4			GROUP D			GROUP E			GROUP F			GROUP F1								
										HEATER			HEATER			HEATER			HEATER			HEATER			HEATER			HEATER			HEATER			HEATER		
										LOW AMP	MID AMP	HIGH AMP	LOW AMP	MID AMP	HIGH AMP	LOW AMP	MID AMP	HIGH AMP	LOW AMP	MID AMP	HIGH AMP	LOW AMP	MID AMP	HIGH AMP	LOW AMP	MID AMP	HIGH AMP	LOW AMP	MID AMP	HIGH AMP	LOW AMP	MID AMP	HIGH AMP	LOW AMP	MID AMP	HIGH AMP
1	1	1	1	1	1	1	1	1	0.15	7.4	32.2	4.4	19.1	8.2	35.7	5.2	22.6	8.7	37.8	5.7	24.8	3.6	15.7	7.0	30.4	4.0	17.4	10.0	43.5	7.0	30.4	8.8	38.3	5.8	25.2	
1	1	1	1	1	1	1	1	1	0.15	7.4	32.2	4.4	19.1	8.2	35.7	5.2	22.6	8.7	37.8	5.7	24.8	3.6	15.7	7.0	30.4	4.0	17.4	10.0	43.5	7.0	30.4	8.8	38.3	5.8	25.2	
1	1	1	1	1	1	1	1	1	0.13	7.38	32.08	4.38	19.03	8.18	35.58	5.18	22.51	8.68	37.73	5.68	24.71	3.58	15.58	6.98	30.37	3.98	17.32	9.98	43.41	6.98	30.37	8.78	38.19	5.78	25.15	
1	1	1	1	1	1	1	1	1	0.12	7.37	32.05	4.37	19.01	8.17	35.55	5.17	22.49	8.67	37.70	5.67	24.66	3.57	15.53	6.97	30.31	3.97	17.27	9.97	43.36	6.97	30.31	8.77	38.14	5.77	25.10	
1	1	1	1	1	1	1	1	1	0.01	7.26	31.55	4.26	18.51	8.06	35.03	5.06	21.99	8.56	37.21	5.56	24.16	3.46	15.03	6.86	29.81	3.86	16.77	9.86	42.81	6.86	29.81	8.66	37.64	5.66	24.60	
1	1	1	1	1	1	1	1	1	0.001	7.26	31.55	4.26	18.54	8.06	35.06	5.06	22.02	8.56	37.23	5.56	24.19	3.46	15.06	6.86	29.84	3.86	16.80	9.86	42.89	6.86	29.84	8.66	37.67	5.66	24.63	
1	1	1	1	1	1	1	1	1	0.00	7.25	31.53	4.25	18.49	8.05	35.01	5.05	21.97	8.55	37.18	5.55	24.14	3.45	15.01	6.85	29.78	3.85	16.75	9.85	42.83	6.85	29.79	8.65	37.62	5.65	24.57	
1	1	1	1	1	1	1	1	1	0.13	7.38	32.09	4.38	19.04	8.18	35.57	5.18	22.52	8.68	37.74	5.68	24.71	3.58	15.57	6.98	30.35	3.98	17.31	9.98	43.39	6.98	30.35	8.78	38.17	5.78	25.13	
1	1	1	1	1	1	1	1	1	0.14	7.39	32.12	4.39	19.07	8.19	35.59	5.19	22.55	8.69	37.77	5.69	24.73	3.59	15.59	6.99	30.38	3.99	17.33	9.99	43.42	6.99	30.38	8.79	38.20	5.79	25.16	
1	1	1	1	1	1	1	1	1	0.12	7.29	31.82	4.29	18.66	8.15	35.11	5.15	22.06	8.55	37.17	5.55	24.15	3.45	15.04	6.85	29.78	3.85	16.76	9.85	42.82	6.85	29.78	8.78	38.19	5.78	25.12	
1	1	1	1	1	1	1	1	1	0.01	7.26	31.57	4.26	18.52	8.06	35.04	5.06	22.00	8.56	37.22	5.56	24.17	3.46	15.04	6.86	29.83	3.86	16.78	9.86	42.87	6.86	29.83	8.66	37.65	5.66	24.61	
1	1	1	1	1	1	1	1	1	0.02	7.27	31.59	4.27	18.50	8.07	35.07	5.07	22.03	8.57	37.25	5.57	24.20	3.47	15.07	6.87	29.86	3.87	16.81	9.87	42.90	6.87	29.86	8.67	37.68	5.67	24.64	
1	1	1	1	1	1	1	1	1	0.00	7.25	31.54	4.25	18.50	8.05	35.02	5.05	21.98	8.55	37.19	5.55	24.15	3.45	15.02	6.85	29.80	3.85	16.76	9.85	42.85	6.85	29.80	8.65	37.63	5.65	24.59	
1	1	1	1	1	1	1	1	1	0.13	7.38	32.10	4.38	19.06	8.18	35.58	5.18	22.53	8.68	37.75	5.68	24.71	3.58	15.58	6.98	30.36	3.98	17.32	9.98	43.40	6.98	30.36	8.78	38.19	5.78	25.14	
1	1	1	1	1	1	1	1	1	0.14	7.39	32.13	4.39	19.09	8.19	35.61	5.19	22.56	8.69	37.78	5.69	24.74	3.59	15.61	6.99	30.39	3.99	17.35	9.99	43.43	6.99	30.39	8.79	38.22	5.79	25.17	
1	1	1	1	1	1	1	1	1	0.13	7.38	32.08	4.38	19.03	8.18	35.55	5.18	22.51	8.68	37.73	5.68	24.69	3.58	15.55	6.98	30.34	3.98	17.29	9.98	43.38	6.98	30.34	8.78	38.16	5.78	25.12	
1	1	1	1	1	1	1	1	1	0.01	7.26	31.58	4.26	18.53	8.06	35.05	5.05	22.01	8.56	37.23	5.56	24.19	3.46	15.05	6.86	29.82	3.86	16.80	9.86	42.88	6.86	29.82	8.66	37.65	5.66	24.62	
1	1	1	1	1	1	1	1	1	0.02	7.27	31.61	4.27	18.56	8.07	35.09	5.07	22.04	8.57	37.26	5.57	24.22	3.47	15.09	6.87	29.87	3.87	16.82	9.87	42.91	6.87	29.87	8.67	37.69	5.67	24.65	
1	1	1	1	1	1	1	1	1	0.14	7.39	32.13	4.39	19.09	8.19	35.61	5.19	22.56	8.69	37.78	5.69	24.74	3.59	15.61	6.99	30.39	3.99	17.35	9.99	43.43	6.99	30.39	8.79	38.22	5.79	25.17	
1	1	1	1	1	1	1	1	1	0.15	7.40	32.15	4.40	19.11	8.20	35.63	5.20	22.59	8.70	37.81	5.70	24.76	3.60	15.63	7.00	30.41	4.00	17.37	10.00	43.46	7.00	30.41	8.80	38.24	5.80	25.20	
1	1	1	1	1	1	1	1	1	0.02	7.27	31.60	4.27	18.56	8.07	35.08	5.07	22.04	8.57	37.25	5.57	24.21	3.47	15.08	6.87	29.86	3.87	16.82	9.87	42.91	6.87	29.86	8.67	37.69	5.67	24.65	
1	1	1	1	1	1	1	1	1	0.03	7.28	31.63	4.28	18.59	8.08	35.11	5.08	22.07	8.58	37.28	5.58	24.24	3.48	15.11	6.88	29.89	3.88	16.85	9.88	42.94	6.88	29.89	8.68	37.72	5.68	24.67	
1	1	1	1	1	1	1	1	1	0.14	7.39	32.13	4.39	19.09	8.19	35.61	5.19	22.56	8.69	37.78	5.69	24.74	3.59	15.61	6.99	30.39	3.99	17.35	9.99	43.43	6.99	30.39	8.79	38.22	5.79	25.17	
1	1	1	1	1	1	1	1	1	0.03	7.28	31.63	4.28	18.59	8.08	35.11	5.08	22.07	8.58	37.28	5.58	24.24	3.48	15.11	6.88	29.89	3.88	16.85	9.88	42.94	6.88	29.89	8.68	37.72	5.68	24.67	
1	1	1	1	1	1	1	1	1	0.03	7.28	31.63	4.28	18.59	8.08	35.11	5.08	22.07	8.58	37.28	5.58	24.24	3.48	15.11	6.88	29.89	3.88	16.85	9.88	42.94	6.88	29.89	8.68	37.72	5.68	24.67	
1	1	1	1	1	1	1	1	1	0.03	7.28	31.63	4.28	18.59	8.08	35.11	5.08	22.07	8.58	37.28	5.58	24.24	3.48	15.11	6.88	29.89	3.88	16.85	9.88	42.94	6.88	29.89	8.68	37.72	5.68	24.67	
1	1	1	1	1	1	1	1	1	0.02	7.27	31.61	4.27	18.56	8.07	35.09	5.07	22.04	8.57	37.26	5.57	24.22	3.47	15.09	6.87	29.87	3.87	16.82	9.87	42.91	6.87	29.87	8.67	37.69	5.67	24.65	

ÍNDICE

1. DATOS GENERALES	26
2. ADVERTENCIAS DE SEGURIDAD	26
2.1. GENERALIDADES	26
2.2. ADVERTENCIAS EN LOS TRABAJOS DE INSTALACIÓN Y MONTAJE	27
2.3. ADVERTENCIAS EN LOS TRABAJOS DE MANTENIMIENTO	27
3. INSTALACIÓN Y MONTAJE	28
3.1. COLOCACIÓN Y UBICACIÓN DEL SPA	28
3.2. INSTALACIÓN EN EXTERIORES	28
3.3. INSTALACIÓN EN INTERIORES	29
3.4. SPAS PORTABLES NIVELABLES	29
3.5. INSTALACIÓN DEL SWIMSPA	30
3.6. INSTALACIÓN DE UN SPA ENTERRADO	33
4. DESAGUE DEL SPA	34
5. CONEXIÓN ELÉCTRICA	35
6. PUESTA EN MARCHA	42
6.1. LLENADO DE SPAS PRIVADOS	42
6.2. LLENADO DE SPAS PRIVADOS CON DESBORDANTE	42
7. AVERÍAS Y SOLUCIONES	44



IMPORTANTE

El manual de instrucciones que usted tiene en sus manos, contiene información fundamental acerca de las medidas de seguridad a adoptar a la hora de la instalación y la puesta en servicio. Por ello, es imprescindible que tanto el Instalador como el Usuario lean las instrucciones antes de pasar al montaje y la puesta en marcha.

1. DATOS GENERALES

Este manual tiene toda la información necesaria para poder gozar en plenitud de su SPA. Le sugerimos que dedique un tiempo a repasar los puntos que le detallamos a continuación.

Si usted tiene cualquier pregunta o duda en el funcionamiento o mantenimiento de este producto, contacte con instalador o distribuidor de su zona. Ellos son profesionales especializados, sus conocimientos le facilitaran y les ayudaran a disfrutar de este producto.

IMPORTANTE: El fabricante, reserva el derecho de cambiar parte de los diseños o especificaciones sin notificación y sin incurrir en cualquier obligación.



ATENCIÓN - IMPORTANTE

- Antes de realizar cualquier trabajo en el Spa, debe desconectarse la alimentación eléctrica (diferencial en posición *OFF*, o bien desconexión del cable de la red).
- Este equipo puede conectarse a un simple enchufe.
- Este equipo requiere de una instalación eléctrica adecuada. Ésta debe ser realizada por una persona especializada siguiendo las normativas eléctricas de seguridad vigentes en cada país.
- La alimentación eléctrica del Spa debe estar siempre protegida por un diferencial de alta sensibilidad. Se recomienda un diferencial de 30 mA.
- Es imprescindible realizar la conexión a la toma de tierra. El circuito de toma de tierra del edificio, debe encontrarse en todo momento en perfectas condiciones para garantizar la seguridad del usuario del Spa. Si tiene dudas al respecto haga revisar su circuito de tierras por personal debidamente cualificado. El fabricante no se responsabilizará de posibles daños o perjuicios ocasionados por un mantenimiento inadecuado del circuito de toma de tierra.
- No conecte el equipo eléctrico (diferencial en posición *ON*) si el Spa está vacío de agua.
- Utilizar un cable de sección apropiada a la potencia del Spa y distancia al cuadro.
- Cumplir en todo momento las indicaciones del capítulo: Advertencias de Seguridad de este manual.
- No intente acceder a ningún componente eléctrico si no es una persona técnicamente formada o el Responsable de Mantenimiento.
- Nunca acceda a los elementos eléctricos con los pies mojados
- Se debe incorporar medios para desconectar el spa de la red eléctrica como parte de la instalación fija, de acuerdo a la reglamentación vigente.

2. ADVERTENCIAS DE SEGURIDAD

2.1. GENERALIDADES

- Se debe evitar entrar en contacto con la tensión eléctrica.
- Se deben respetar las normas vigentes para la prevención de accidentes.
- Cualquier modificación que se pretenda efectuar en el equipo requiere la previa autorización del fabricante. Los repuestos originales y los accesorios autorizados por el fabricante sirven para garantizar una mayor seguridad. El fabricante del equipo queda eximido de toda responsabilidad de los daños ocasionados por repuestos o accesorios no autorizados.

- Durante el funcionamiento algunas partes del equipo están a voltajes eléctricos peligrosos. El trabajo sobre cada elemento o los equipos a ellos ligados sólo podrá efectuarse después de haberlos desconectado de la red eléctrica de alimentación y después de haber desconectado los dispositivos de arranque.
- El usuario debe cerciorarse que los trabajos de montaje y mantenimiento lo llevan a cabo personas cualificadas y autorizadas, y que éstas hayan leído previamente de forma detenida las instrucciones de instalación y servicio.
- La seguridad en el funcionamiento de la máquina sólo se garantizan bajo el cumplimiento y respeto de lo expuesto en las instrucciones de instalación y servicio.
- Los valores límite que figuran en el cuadro eléctrico no deben sobrepasarse de ningún modo.
- En caso de funcionamiento defectuoso o avería, diríjase al Servicio de Asistencia Técnica del fabricante, o de la representación del fabricante más próxima.
- La instalación del Spa deberá cumplir en todo momento las normativas vigentes que sean de aplicación en cada país. En especial, las referidas a seguridad eléctrica.
- Éste equipo tiene riesgo de inundación, debe ser instalado en una zona preparada para recoger y drenar todo el agua que pudiese derramarse (tanto por debajo como en el entorno) por el uso del Spa o a causa de posibles fugas en cualquiera de los circuitos. (Ver la Garantía)
- El equipo debe ser instalado en un espacio debidamente preparado y de fácil acceso a todos los componentes del Spa. La garantía nunca cubrirá trabajos de albañilería necesarios para la ubicación o sustitución del producto. (Ver la Garantía).
- En caso de utilizar una cubierta que no incorpore elementos de anclaje y/o seguridad para prevenir el acceso no controlado al spa, se recomienda que se instale algún elemento alternativo (ej: control de acceso al recinto o valla perimetral...) para evitar el acceso o uso indebido del spa.

2.2. ADVERTENCIAS EN LOS TRABAJOS DE INSTALACIÓN Y MONTAJE

- Durante la conexión de los cables eléctricos al equipo, cuidar la disposición en el interior de la caja de conexiones, verificar que no queden trozos de cable en el interior después del cierre y que el conductor de tierra esté correctamente conectado.
- Hay que prestar particular atención a que, de ninguna manera, entre agua en las bombas y en las partes eléctricas en tensión.

2.3. ADVERTENCIAS EN LOS TRABAJOS DE MANTENIMIENTO

- Antes de proceder a realizar cualquier intervención de mantenimiento eléctrico o mecánico, asegúrese que la máquina haya sido desconectada de la red de alimentación que los dispositivos de puesta en marcha estén bloqueados.
- No manipular el equipo con los pies mojados.

3. INSTALACIÓN Y MONTAJE

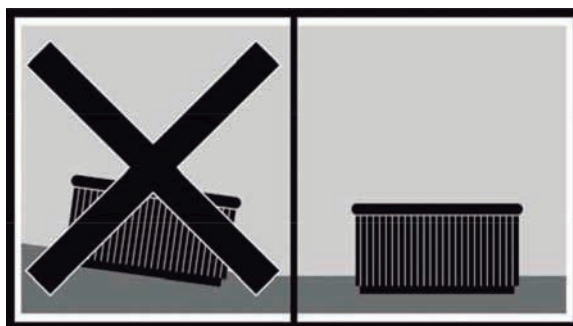
Antes de proceder a la instalación y al montaje del Spa, debe asegurarse haber recibido el Spa en perfectas condiciones de embalaje. Si el embalaje estuviera dañado avise inmediatamente a su distribuidor.

3.1. COLOCACIÓN Y UBICACIÓN DEL SPA

Ubicar el Spa en posición horizontal, apoyando toda la base inferior sobre una superficie lisa y plana, capaz de soportar su peso en uso (lleno de agua, mas el peso de los bañistas).

El Spa no puede montarse sobre una superficie curvada o encima de bloques.

El lateral donde se ubican los motores, debe quedar siempre completamente accesible. A fin de realizar labores de mantenimiento, la ubicación del Spa debe permitir moverlo para acceder cómodamente a todos sus lados.



3.2. INSTALACIÓN EN EXTERIORES

En caso de escoger una zona exterior para la ubicación del Spa:

No deje el Spa expuesto al sol sin agua y sin una cubierta de protección. Recuerde que una exposición prolongada al sol puede perjudicar a la superficie de su Spa, así como a sus accesorios. El acrílico absorbe rápidamente el calor de los rayos del sol pudiendo llegar a Temperaturas muy altas que lo dañarían. La temperatura máxima de absorción es de 60°C.

Sitarlo preferiblemente lejos de zonas arboladas, ya que las hojas que caen de los árboles pueden obstruir el filtro.

En caso de ubicar el Spa en zonas acristaladas, evitar que los rayos del sol incidan sobre el Spa a través de cristales, ya que pueden aumentar en exceso la Temperatura.

Evitar cualquier ubicación en la que pueda haber una entrada de agua al compartimiento del equipo eléctrico, así como proteger el contacto directo del mueble con zonas de mucha humedad.





No debe dejarse el Spa vacío y sin cubrir a Temperaturas ambiente superiores a 20°C o inferiores a 4°C.

3.3. INSTALACIÓN EN INTERIORES

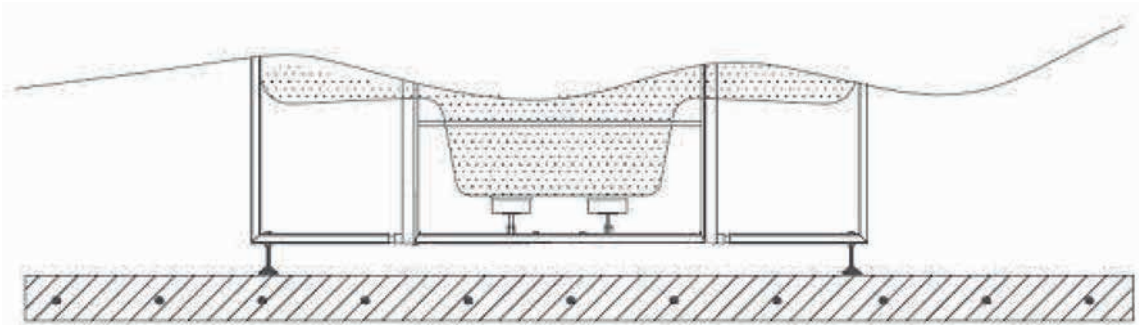
Se aconseja prever algún desagüe en la zona del Spa, para evitar acumulación de agua a su alrededor y evitar así zonas peligrosas de acceso a los bañistas.

Recuerde que el funcionamiento del Spa, provoca un incremento de la humedad en el local por lo que habrá de prever algún sistema de ventilación para evitar acumulaciones de humedad, que puedan deteriorar elementos del local.

El uso de la cubierta reduce la pérdida de calor y la humedad del recinto.

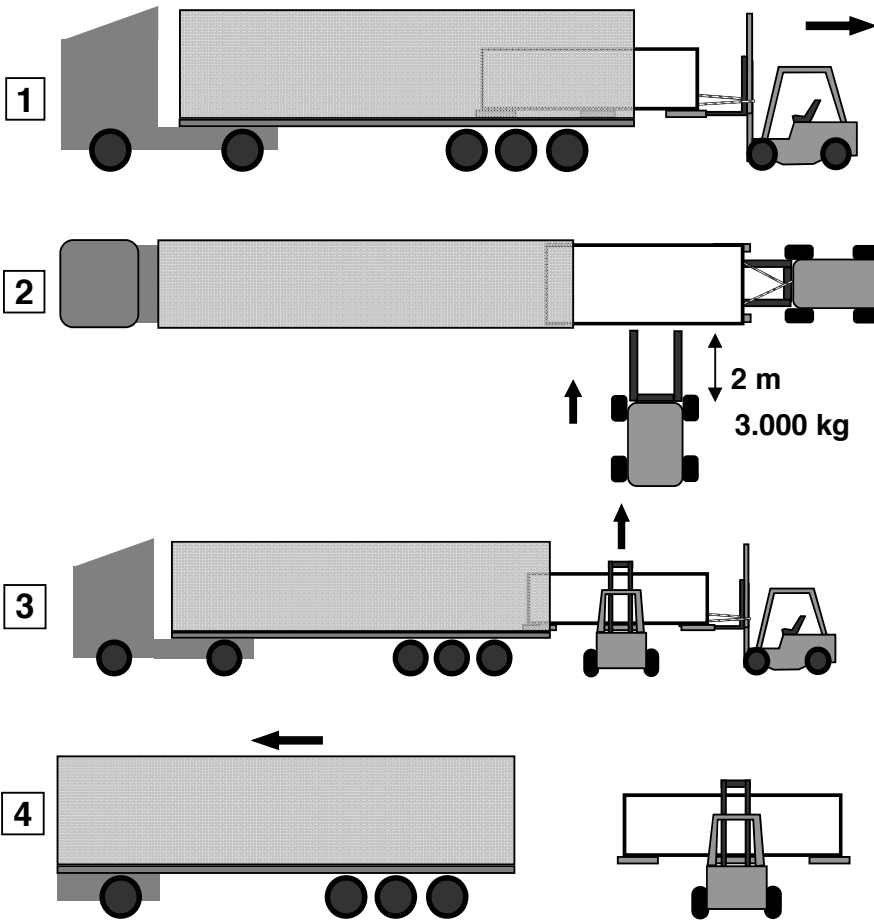
3.4. SPAS PORTABLES NIVELABLES

Algunos spas se suministran con una estructura metálica nivelable para facilitar su instalación. Esta estructura tiene varios puntos de apoyo. Antes de llenar el Spa, estos puntos de nivelación deben de regularse para que todos estén en contacto con el suelo.

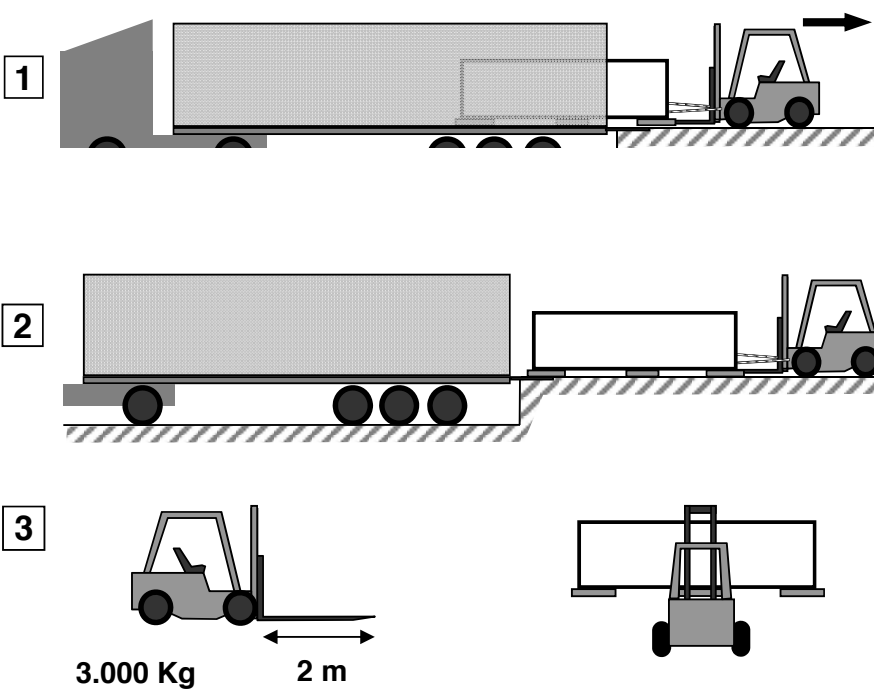


3.5. INSTALACIÓN DEL SWIMSPA

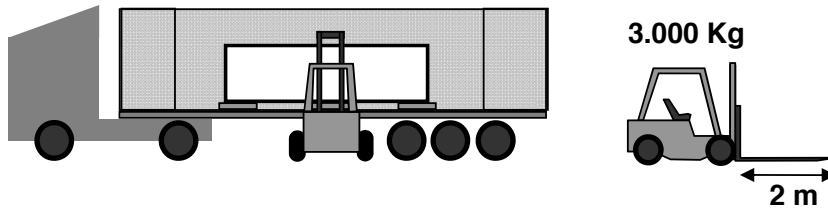
A. Swimspa - Container Download



B. Swimspa - Container Download B

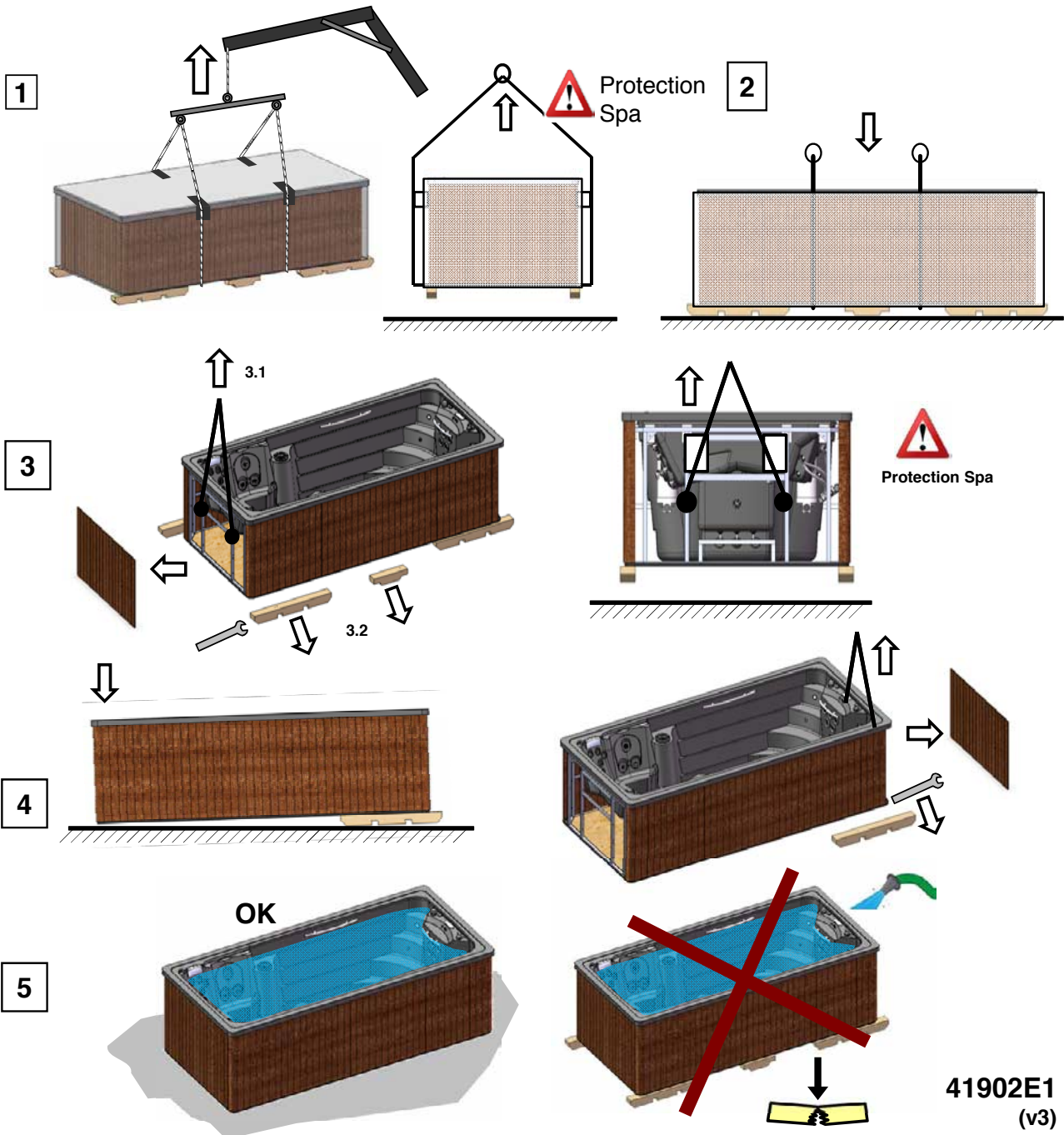


C. Swimspa - Truck Download



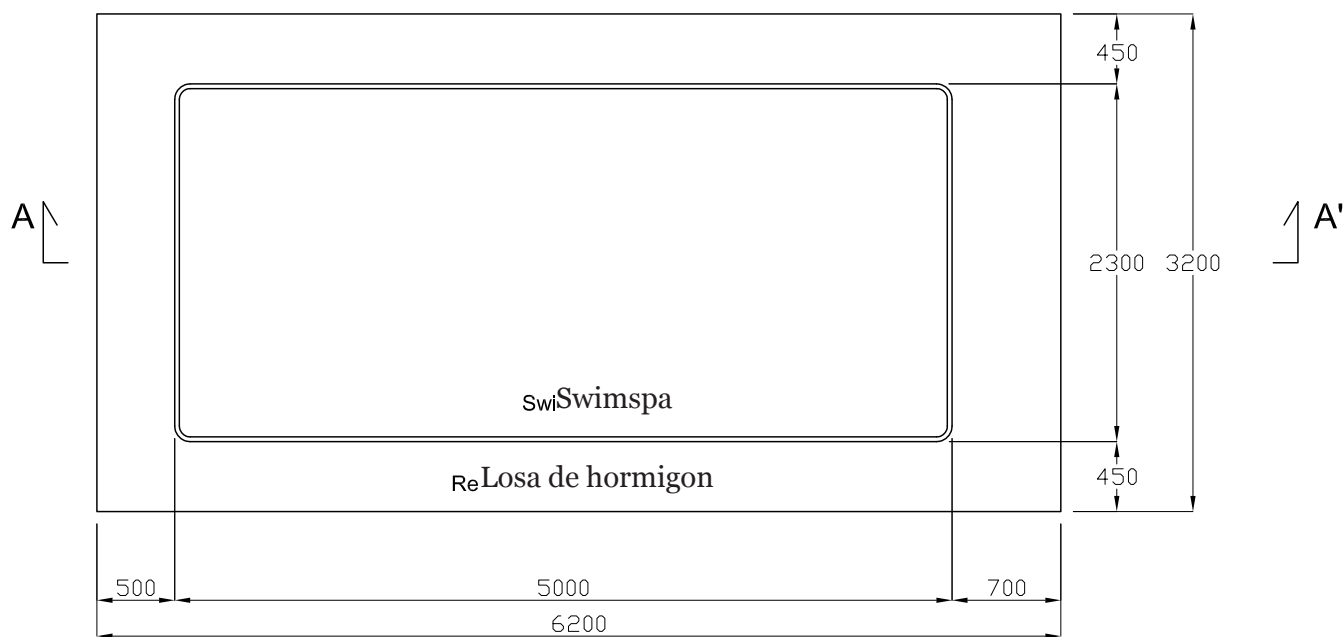
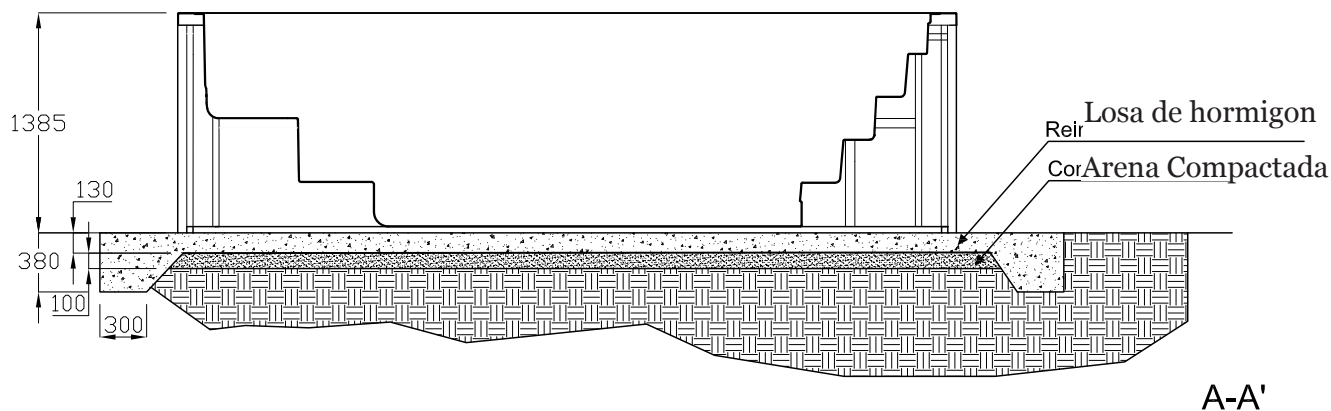
D. Swimspa - Installation

Dimensions & Weight:
See Technical Doc.



Consejos sobre como realizar la cimentación para Swimspa

Dimensiones en mm



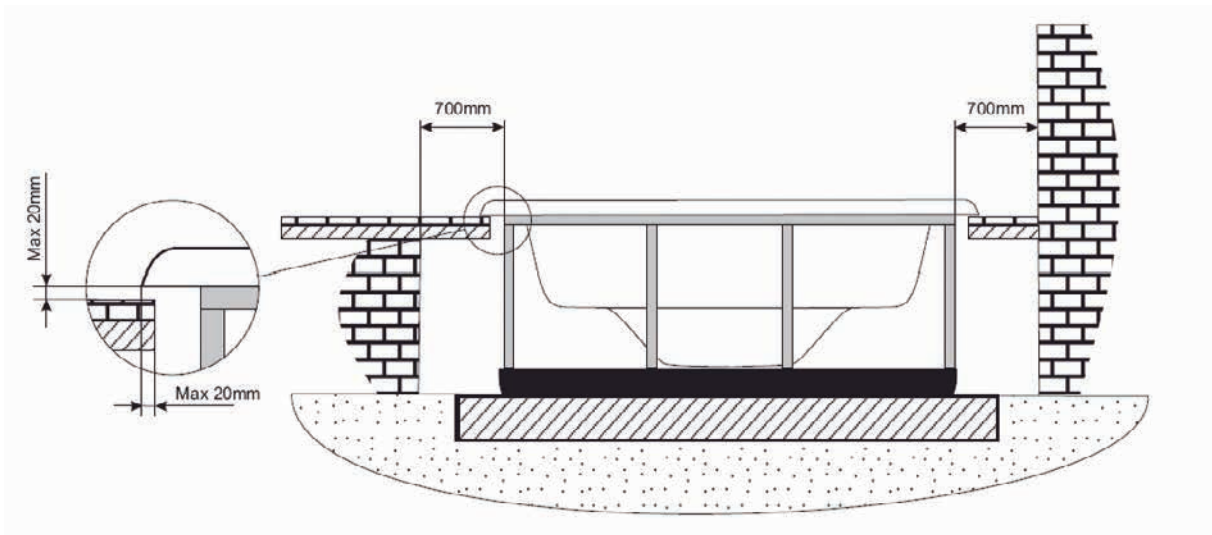
Notas:

Este es un dibujo/ejemplo representativo. Para realizar el diseño y ejecución, se recomienda que consulte con un especialista de construcción/ingeniero para garantizar que el terreno aguante la losa de cimentación de hormigón con el Swimspa lleno de agua, incluyendo el peso de las personas que vayan a usar el SwimSpa y muebles u otros artículos que estarán en el área de soporte. Esta misma responsabilidad para la instalación, debe ser relativa al cumplimiento de las normativas locales para las cimentaciones y/o construcciones.

3.6. INSTALACIÓN DE UN SPA ENTERRADO

Si usted tiene la versión inground (preparada para enterrar) siga las siguientes instrucciones:

Ha de tener en cuenta que para evitar contracciones y posibles daños en el casco, nunca se debe fijar la estructura del spa al suelo, simplemente colocarlo por su propio peso y sobretodo no sostenerlo por el perímetro superior del mismo.



Una vez asentado correctamente el spa, termine la obra con azulejos o similar teniendo en cuenta que el contorno del casco del spa nunca esté en contacto directo con la obra (se debe dejar un mínimo de 1 centímetros en todo el contorno).

Tenga en cuenta que deberá dejar un espacio suficientemente amplio en la zona de acceso a bombas y cuadro eléctrico para poder realizar el mantenimiento. Este espacio debería ser de cómo mínimo 0.7 metros.

Para sellar la pestaña del spa a la obra, utilizar una silicona elástica especial para instalaciones acuáticas.



IMPORTANTE

Dejar una trampilla de acceso al spa para el mantenimiento.
 Nunca recubrir con hormigón.
DEJAR 70cm DE ESPACIO LIBRE ALREDEDOR DEL SPA.

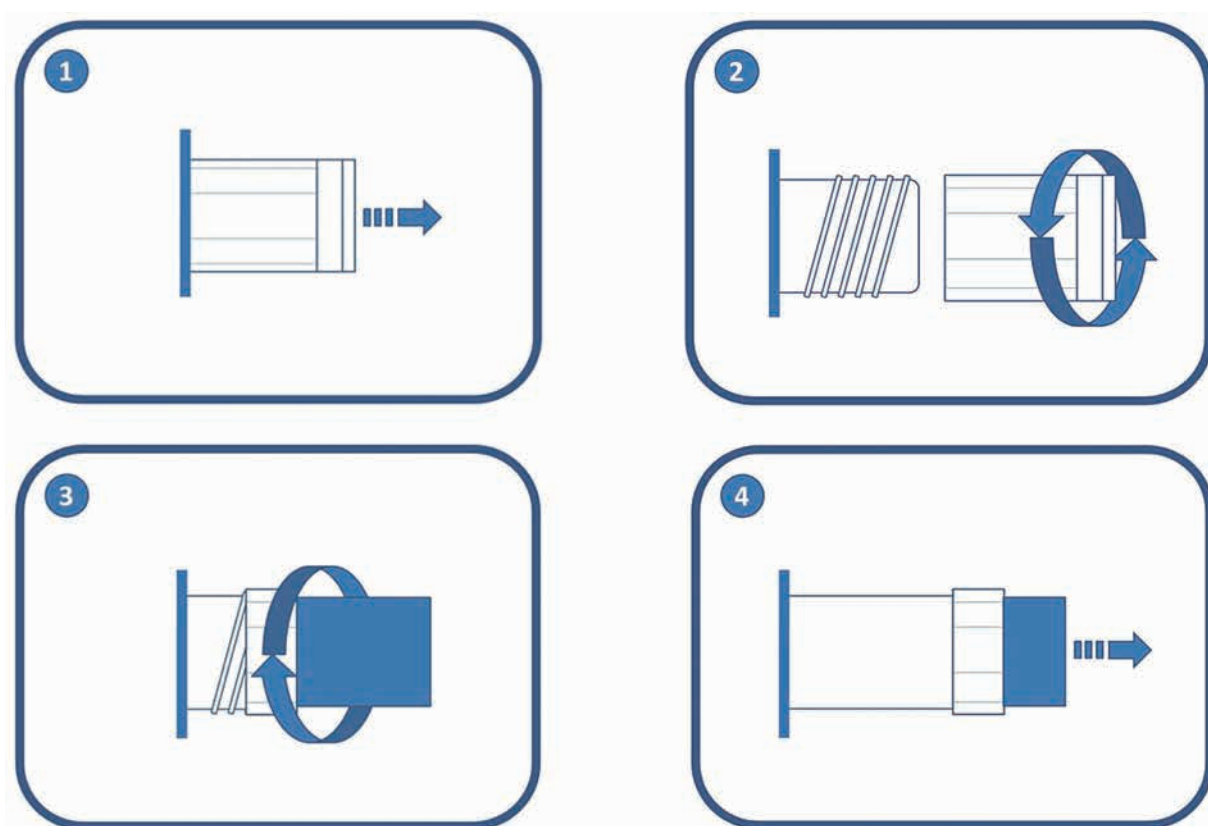
4. DESAGÜE DEL SPA

El Spa posee un sistema de vaciado manual, por gravedad, a través de una válvula de desagüe con salida de 3/4".

La válvula de desagüe ha de estar siempre cerrada, sólo estará en posición abierta cuando deseemos vaciar el Spa.

Si se considera oportuno se puede realizar una instalación de desagüe que conecte el Spa al desagüe general de la vivienda.

El funcionamiento de la válvula es el siguiente:



IMPORTANTE

Recuerde que el vaciado de la spa no es completo.
 Para largos periodos de inactividad y especialmente en invierno elimine el agua estancada en los asientos y en el fondo del spa con una esponja.
 Los restos de agua de las tuberías se pueden aspirar a través de las boquillas de agua y aire con una bomba aspirante para líquidos.
 Es necesario también vaciar las bombas a través del tapón de drenaje.

5. CONEXIÓN ELÉCTRICA



ATENCIÓN – MUY IMPORTANTE

- Este equipo no puede conectarse a un simple enchufe.
- Este equipo requiere de una instalación eléctrica adecuada. Ésta debe ser realizada por una persona especializada siguiendo las normativas eléctricas de seguridad vigentes en cada país.
- La alimentación eléctrica del Spa debe estar siempre protegida por un diferencial de alta sensibilidad. Se recomienda un diferencial de 30 mA.
- Es imprescindible realizar la conexión a la toma de tierra.
- Utilizar un cable de sección apropiada a la potencia del Spa y distancia al cuadro.
- Cumplir en todo momento las indicaciones del capítulo: Advertencias De Seguridad de este manual.



ATENCIÓN – RIESGO DE DESCARGA ELÉCTRICA

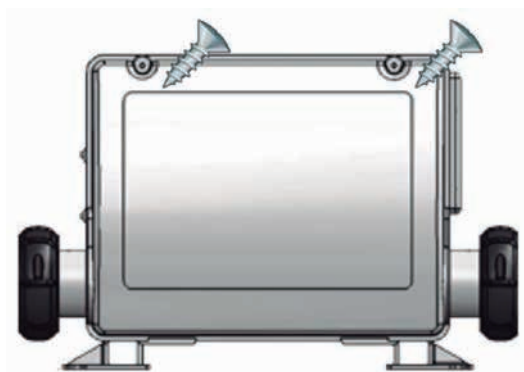
- Antes de realizar cualquier trabajo en el Spa, debe desconectarse la alimentación eléctrica (diferencial en posición OFF, o bien desconexión del cable de la red).
- No intente acceder a ningún componente eléctrico si no es una persona técnicamente formada o el Responsable de Mantenimiento.
- Para manipular los elementos eléctricos, utilice siempre equipos de protección personal adecuados, así como herramientas adecuadas.
- Nunca acceda a los elementos eléctricos con el cuerpo mojado, especialmente con los pies mojados.
- No conecte el equipo eléctrico (diferencial en posición ON) si el Spa está vacío de agua.

Para conectar el Spa actuar de la siguiente manera:

Abra el panel lateral del mueble que da acceso a los componentes eléctricos.



Abra el armario de maniobra.



Conecte el cuadro eléctrico del Spa al diferencial.

Instalación del diferencial

La instalación eléctrica debe incorporar un diferencial de alta sensibilidad de 2 polos en el cuadro de entrada de corriente general (el diferencial no se suministra con el Spa).



IMPORTANTE

Es imprescindible que el propietario del Spa pruebe y restablezca el interruptor diferencial periódicamente para verificar el buen funcionamiento del mismo. Se aconseja realizar esta operación como mínimo una vez al mes.

Comprobar que el diferencial esté en posición *OFF* (Cerrado). No sitúe el diferencial en la posición *ON* (abierto) hasta que el Spa esté lleno de agua.

Realizar la conexión del cuadro eléctrico del Spa al diferencial

Antes de realizar cualquier trabajo en el Spa, debe desconectarse la alimentación eléctrica (diferencial en posición *OFF*, o bien desconexión del cable de la red).

Utilizar un cable adecuado dependiendo del tipo de local donde se instale el Spa y la legislación vigente que le sea de aplicación, desde el diferencial hasta el armario eléctrico del Spa. La sección del cable será diferente según el modelo de Spa y la distancia de la instalación.

Los kW requeridos los puede identificar en la hoja anexa de Especificaciones Técnicas del Spa deberá tenerse en cuenta el consumo máximo en función de la configuración “High Amp” ó “Low Amp”.

Configuración High Amp / Low Amp

En función de la configuración del Spa el consumo eléctrico puede variar considerablemente, y en consecuencia, el tipo de instalación adecuada para hacer frente a la demanda de potencia eléctrica.

LOW AMP:

Esta configuración desconecta el calentador eléctrico cuando se pone en marcha cualquier bomba de masaje. Con esta configuración se consigue limitar el consumo eléctrico. Es la configuración por defecto de fábrica.

HIGH AMP:

Esta configuración posibilita que todos los elementos del Spa puedan funcionar a la vez. Esta configuración requiere una instalación con mayor consumo eléctrico.

DIP SWITCH FUNCTIONS FOR BP SYSTEMS

Interruptores DIP de función fija

- A1** Modo Test (normalmente apagado, OFF).
- A2** En posición «ON», añade una bomba de alta velocidad (o ventilador) con calentador.
- A3** En posición «ON», añade dos bombas de alta velocidad (o una bomba de alta velocidad y un ventilador) con calentador.

- A4** En posición «ON», añade cuatro bombas de alta velocidad (o tres bombas de alta velocidad y un ventilador) con calentador.
- A5** En posición «ON», activa la norma B de Amperaje especial. Véase la sección «Funciones especiales», dentro de «Opciones de configuración», para conocer la funcionalidad con su sistema. En posición «OFF», activa la norma A de Amperaje especial.
- A6** Reinicio persistente de la memoria (se utiliza cuando el spa se carga para restaurar la configuración de fábrica, según se estipule en la configuración del software).

A2, A3 y A4 funcionan combinados para determinar el número de dispositivos de alta velocidad y de ventiladores que se pueden utilizar antes de que se desactive el calor. Es decir, A2 y A3 en la posición ON y A4 en la posición OFF permitirán que el calentador opere hasta 3 bombas de alta velocidad (o dos bombas y un ventilador) que funcionen al mismo tiempo. El calor se desactiva cuando se enciende la cuarta bomba de alta velocidad o el ventilador

Nota: **A2/A3/A4** todas apagadas = Sin calor con cualquier bomba de alta velocidad o ventilador.

Interruptores DIP asignables

- A7** En posición «ON», activa un enfriamiento de 5 minutos en el caso de alguno calentadores de gas (Tiempo de refrigeración B). En posición «OFF», activa un enfriamiento de 1 minuto en el caso de los calentadores eléctricos (Tiempo de refrigeración A).

Los interruptores no designados no tienen una función asignada.

NOTA IMPORTANTE:

En la Hoja de Especificaciones Eléctricas que se adjunta al final de este manual se puede consultar tanto la potencia “Low Amp” como la potencia “High Amp”. Para determinar la sección de los conductores de la instalación eléctrica se deben tener en cuenta los valores que se reflejan en dicha Hoja de Especificaciones Eléctricas junto con la siguiente tabla:

Tabla de relación de secciones, distancia y potencia requerida

	KW requeridos										
	2,1	2,5	2,8	3,2	3,5	4,4	5,3	6,2	7,0	7,9	8,8
Distancia	Sección nominal del cable en mm ²										
6 - 11 m	2,5	2,5	2,5	2,5	4	4	6	10	10	10	10
11 - 15 m	2,5	2,5	4	4	4	6	6	10	10	10	10
15 - 20 m	4	4	4	6	6	6	10	10	10	16	16

Para distancias mayores habrá que incrementar la sección del cable proporcionalmente.

Pueden existir configuraciones que obliguen a instalar 1 línea de 32 A, 2 líneas de 16A o incluso una línea trifásica (3 x 16A) para atender a la demanda de potencia del Spa.

Las opciones de configuración de su cuadro eléctrico se muestran mas adelante en este Manual de Instalación.

Recuerde que la instalación y los cambios de configuración eléctrica los debe realizar personal debidamente cualificado y respetando en todo momento la normativa vigente en cada país.

El fabricante no se responsabiliza en ningun caso por posibles daños ocasionados por una instalación inadecuada o realizada por personal no cualificado.



ATENCIÓN

Tener en cuenta la posición del Switch de consumo máximo.
 Si no se usa el cable apropiado para la distancia y potencia del Spa, éste no funcionará correctamente; pudiendo provocar un excesivo calentamiento de los circuitos eléctricos con el consiguiente riesgo de accidente eléctrico. Utilice siempre el cable con la sección adecuada al consumo máximo. En caso de duda entre dos valores, utilice siempre el cable de mayor sección.

Para realizar la alimentación al cuadro eléctrico al Spa, localizar el prensaestopa que queda situado a uno de los lados del cuadro eléctrico.

Asegurarse de que no exista corriente eléctrica en el cable de conexión (interruptor del diferencial está en posición *OFF*).

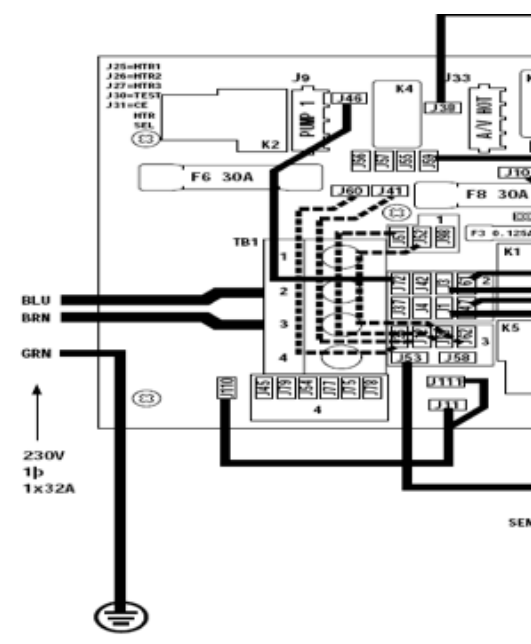
Llevar el cable hasta el cuadro eléctrico del Spa.

Abrir la tapa del cuadro eléctrico, introducir el cable de alimentación por el lateral libre.

Atención, el cable indicado de color azul es el neutro y el de color marrón indica la línea o fase.

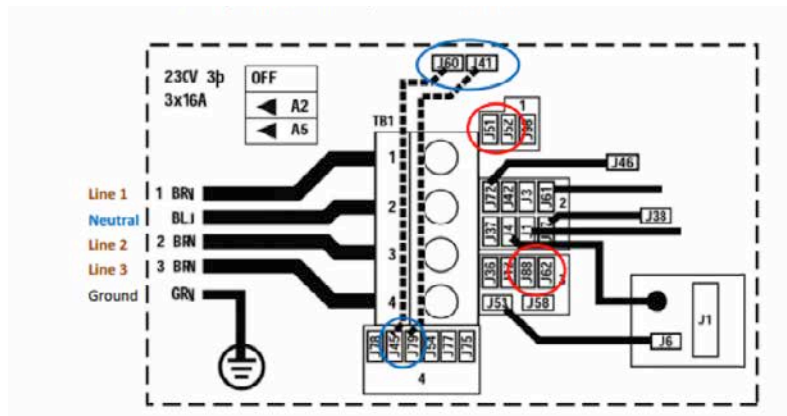
Fijar los terminales tal y como se indica en los siguientes esquemas y del tipo de alimentación eléctrica.

BP SYSTEM
Línea única



How to connect BP2100 Systems in Three Phases 400v

Línea trifásica



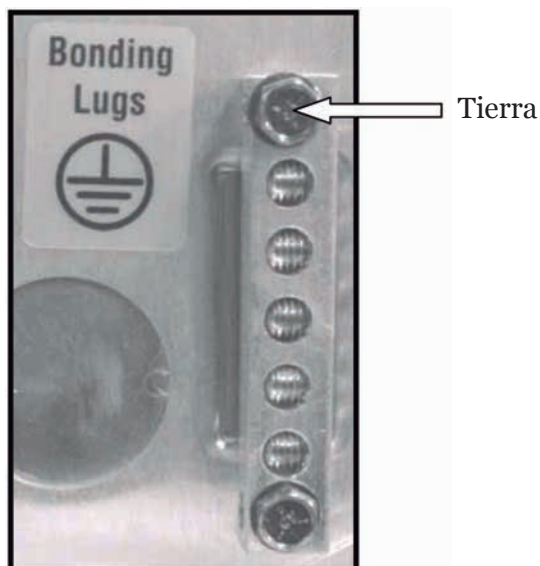
Retirar puentes; J51-J58 y J52-J62 ○
 Cambia este puente ○
 J60-J36 -> TO J60-J45 ○
 J41-J12 -> TO J41-J79 ○
 Requisitos de potencia:
 3 servicios 5 cables: Línea 2, Línea 2, Línea 3, Neutro,
 400 VCA de tierra, trifásico de 50/60 Hz*, 16 A
 (tensión de los disyuntores = 20 A máx. en cada línea
 fásica).
 * Los sistemas BP distinguen automáticamente 50 Hz
 de 60 Hz



ATENCIÓN

Es imprescindible una correcta conexión de tierra.
 El circuito de toma de tierra del edificio, debe encontrarse en todo momento en perfectas condiciones para garantizar la seguridad del usuario del Spa. Si tiene dudas al respecto haga revisar su circuito de tierras por personal debidamente cualificado. El fabricante no se responsabilizará de posibles daños o perjuicios ocasionados por un mantenimiento inadecuado del circuito de toma de tierra.

Fijar el cable de toma tierra (amarillo y verde) en el Terminal del exterior del armario de maniobra tal y como se indica en el siguiente esquema:



**ATENCIÓN**

No conecte la alimentación eléctrica (diferencial en posición *ON*) hasta que el Spa esté lleno de agua.

6. PUESTA EN MARCHA**ATENCIÓN**

Antes de poner en marcha el Spa lea detenidamente los siguientes puntos.

6.1. LLENADO DE SPAS PRIVADOS

El Spa no dispone de un sistema de llenado específico. Se recomienda utilizar un sistema de llenado manual con una manguera de jardín o similar.

Proceder de la siguiente manera:

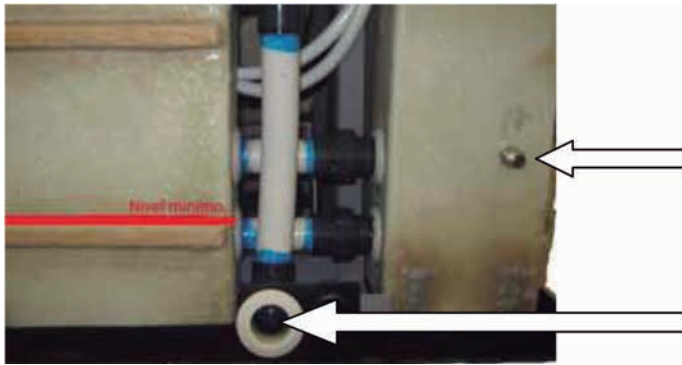
- Antes de iniciar el llenado del Spa, localizar la válvula de desagüe (ver apartado Localización de la válvula de desagüe), y asegurarse de que está en posición CERRADA.
- Llenar el Spa por la parte superior, con agua limpia, hasta el nivel indicado.

**6.2. LLENADO DE SPAS PRIVADOS CON DESBORDANTE**

Se recomienda utilizar un sistema de llenado manual con una manguera de jardín o similar.

Proceder de la siguiente manera:

Antes de iniciar el llenado del Spa, localizar las válvulas de desagüe y asegurarse de que están cerradas, a excepción del sumidero de seguridad que permanecerá siempre abierto. Llenar el Spa por la parte superior, con agua limpia, hasta que el spa empiece a desbordar. Llenar los tres depósitos de agua a través del llenado automático. Conectar una toma de agua de la red a la entrada de uno de los depósitos.



ENTRADA DE AGUA
DE LA RED

SUMIDERO DE
SEGURIDAD

El spa dispone de un sistema de llenado que funciona mediante una boya de nivel, la salida de esta boya tiene que estar conectada a la red con presión de agua constante.

Cuando por causa de la evaporación el spa pierde agua el sistema llena de nuevo los tanques automáticamente.

Los depósitos de compensación disponen de un sumidero de seguridad para desalojar el agua.



ATENCIÓN

LOS DEPÓSITOS DE COMPENSACIÓN DE LOS SPAS PRIVADOS DESBORDANTES TIENEN UNA CAPACIDAD LIMITADA. PUEDEN ALBERGAR 280 LITROS DE AGUA, EQUIVALENTE A 4 PERSONAS PARCIALMENTE SUMERGIDAS. LOS USUARIOS DEBEN ENTRAR EN EL SPA DE UNO EN UNO Y DESPACIO PARA PERMITIR QUE LOS DEPÓSITOS ABSORBAN EL AGUA DESPLAZADA Y EVITAR QUE EL AGUA CAIGA FUERA DEL SPA.



ATENCIÓN

Durante el proceso de llenado se debe evitar el acceso de agua a las partes eléctricas. El uso de agua de mar en el Spa, produce en breve tiempo, un deterioro generalizado en todos los componentes del circuito. No llenar el Spa con agua caliente pues podría disparar el termostato de seguridad y dañar los equipos y conexiones.

Una vez lleno el Spa de agua, conectar el equipo eléctrico mediante la pestaña del interruptor del diferencial en posición ON (Ver apartado Conexión eléctrica).

No utilice el Spa si previamente no ha leído con detenimiento toda la información que se detalla los siguientes puntos:

- Ajuste el pH del agua entre 7,2 y 7,6 (ver apartado *Mantenimiento de Instrucciones*).
- Añadir todos los productos químicos necesarios y recomendados en el apartado Mantenimiento del agua (*Manual de Instrucciones*).
- Seleccionar la Temperatura deseada (ver apartado *Manual de Instrucciones*). Recuerde que el Spa, partiendo de agua fría, puede llegar a necesitar 24 horas para alcanzar una Temperatura de 38°C.
- Antes de utilizar el Spa, compruebe de nuevo los valores del pH derivados de los tratamientos efectuados en el punto anterior.

7. AVERÍAS Y SOLUCIONES

Problemas	Motivos	Soluciones
El caudal de agua filtrada es insuficiente.	Filtro obstruido por suciedad.	Efectuar el lavado del filtro.
La bomba de masaje de los Jets no funciona. No funciona nada.	El cable del panel del control digital está desconectado de la placa. Falta de alimentación eléctrica. Diferencial desconectado.	Conectar el cable a la placa. Comprobar conexionado de la bomba al cuadro eléctrico. Conectar el diferencial.
No se acciona la bomba del masaje de aire <i>Blower</i> .	El cable del panel del control digital está desconectado de la placa. Falta de alimentación eléctrica. Por sobrecalentamiento la bomba se desconecta sola.	Conectar el cable a la placa. Comprobar conexionado de la bomba al cuadro eléctrico. Dejar enfriar durante aprox. 3 horas y accionar de nuevo la bomba.
Sale agua por el <i>Venturi</i> .	Jets cerrados. Jets mal instalados: El embellecedor exterior del jet tiene un giro de un cuarto de vuelta para abrir y cerrar el paso de agua. Si este embellecedor gira una vuelta completa, no está bien instalado, y habrá que sacar el jet y volverlo a colocar correctamente.	Abrir el jet. Extraer el jet: Tirar hacia fuera el embellecedor exterior unos 2 cm. Desenroscar el jet girando en sentido antihorario. Una vez desmontado volver a colocar el jet, roscando en sentido horario. Volver a empujar hacia dentro el embellecedor exterior.
Poco caudal de aire en los Jets.	<i>Venturis</i> cerrados.	Abrir los <i>Venturis</i> .
Bajo caudal de aire.	Escobillas del motor gastadas.	Cambiar la bomba.
El agua no se alcanza la Temperatura deseada.	Sonda deteriorada. Comprobar Temperatura programada.	Cambiar la sonda de Temperatura. Configurar la Temperatura.

Nota: En el apartado *Mensaje de diagnóstico del panel de control (Manual de Usuario)*, se mencionan los mensajes de diagnóstico para resolver posibles averías.

INDEX

1. DONNÉES GÉNÉRALES	48
2. MISES EN GARDE DE SÉCURITÉ	48
2.1. GÉNÉRALITÉS	48
2.2. REMARQUES SUR LES TRAVAUX D'INSTALLATION ET DE MONTAGE	49
2.3. REMARQUES SUR LES TRAVAUX D'ENTRETIEN	49
3. INSTALLATION ET MONTAGE	50
3.1. MISE EN PLACE ET POSE DU SPA	50
3.2. INSTALLATION EN EXTERIEURS	50
3.3. INSTALLATION EN INTERIEURS	51
3.4. SPAS PORTABLES NIVEAUX	51
3.5. SWIMSPA INSTALLATION	52
3.6. INSTALLATION D' UN SPA ENTERRÉ	55
4. VIDANGE DU SPA	56
5. BRANCHEMENT ÉLECTRIQUE	57
6. MISE EN MARCHÉ	64
6.1. REMPLISSAGE DU SPA	64
6.2. REMPLISSAGE DE SPAS PRIVÉS À DÉBORDEMENT	64
7. PANNES ET SOLUTIONS	66



IMPORTANT

Le manuel d'instructions que vous avez entre les mains renferme des informations fondamentales sur les mesures de sécurité à adopter au moment de l'installation et de la mise en service. Il est donc indispensable que l'installateur ainsi que l'utilisateur lisent attentivement les instructions avant de procéder au montage et à la mise en marche de cet appareil.

1. DONNÉES GÉNÉRALES

Ce manuel contient toutes les informations nécessaires pour pouvoir profiter au maximum de votre SPA. Nous vous suggérons de consacrer un certain temps à repasser les points que nous vous détaillons ci-après.

Si vous avez une question ou un doute quelconque sur le fonctionnement ou l'entretien de cet appareil, n'hésitez pas à contacter avec le distributeur ou l'installateur agréé de votre région. Ce sont des professionnels spécialisés dont les connaissances vous aideront à tirer le plus grand profit de cet appareil.

IMPORTANT : Le fabricant se réserve le droit de modifier partiellement les dessins ou spécifications sans notification et sans se soumettre à aucune obligation.



ATTENTION - IMPORTANT

- Avant de faire des travaux, quels qu'ils soient, sur le Spa, il faut débrancher l'alimentation électrique (différentiel en position OFF) ou bien débrancher le câble du secteur.
- Cet appareil ne peut être branché à une simple prise de courant.
- Cet appareil requiert une installation électrique appropriée. Celle-ci doit être faite par une personne spécialisée dans le respect des normes de sécurité en matière d'électricité en vigueur dans chaque pays.
- L'alimentation électrique du Spa doit toujours être protégée par un différentiel à haute sensibilité. Nous recommandons d'installer un différentiel de 30 mA.
- Il est indispensable de réaliser la connexion à la prise de terre. Le circuit de prise de terre du bâtiment doit à tout moment être en parfaites conditions afin de garantir la sécurité de l'utilisateur du Spa. Si vous avez des doutes à ce sujet, faites réviser votre circuit de terre par du personnel dûment qualifié. Le fabricant n'assumera aucune responsabilité de possibles dommages ou torts occasionnés par un entretien inapproprié du circuit de prise de terre.
- Ne branchez pas l'appareil électrique (différentiel en position ON) s'il n'y a pas d'eau dans le Spa.
- Utilisez un câble de section appropriée à la puissance du Spa et à la distance du tableau électrique.
- Respectez à tout moment les indications du chapitre : Mises en garde de sécurité de ce manuel.
- N'essayez pas d'accéder à un composant électrique, quel qu'il soit, si vous n'êtes pas une personne formée techniquement ou le Responsable de Maintenance.
- N'accédez jamais aux éléments électriques si vous avez les pieds mouillés.
- Il devrait incorporer des moyens pour déconnecter spa du réseau dans le cadre de l'installation fixe, conformément à la réglementation en vigueur.

2. MISES EN GARDE DE SÉCURITÉ

2.1. GENERALIDADES

- Il faut éviter d'entrer en contact avec la tension électrique.
- Il faut respecter les normes en vigueur en matière de prévention des accidents.
- Toute modification que vous prétendez effectuer sur l'appareil requiert l'autorisation préalable du fabricant. Les pièces de rechange d'origine et les accessoires autorisés par le fabricant servent à garantir une plus grande sécurité. Le fabricant de l'appareil est libéré de toute responsabilité pour les dommages occasionnés par des pièces de rechange ou accessoires non autorisés.

- Pendant le fonctionnement, certaines parties de l'appareil sont sous voltages électriques dangereux. Le travail sur chaque élément ou les dispositifs connexes ne pourra s'effectuer qu'après les avoir débranchés du réseau électrique d'alimentation et après avoir déconnecté les dispositifs de démarrage.
- L'utilisateur doit s'assurer que les travaux de montage et d'entretien sont exécutés par des personnes qualifiées et agréées, et que celles-ci ont lu préalablement et très attentivement les instructions d'installation et de mise en service.
- La sécurité dans le fonctionnement de l'appareil est garantie uniquement à condition que les instructions d'installation et de mise en service soient accomplies et respectées.
- Les valeurs limites qui figurent sur le tableau électrique ne doivent être dépassées en aucune façon.
- En cas de fonctionnement défectueux ou de panne, adressez-vous auprès du Service d'Assistance Technique du fabricant ou de la représentation du fabricant la plus proche.
- Lors de l'installation du Spa, il faudra respecter à tout moment les règles en vigueur d'application dans chaque pays, plus particulièrement, celles ayant trait à la sécurité électrique.
- Cet appareil risque d'être inondé, il doit donc être installé dans une zone préparée pour recueillir et drainer toute l'eau pouvant y être déversée (aussi bien au-dessous que tout alentour) par l'utilisation du Spa ou à cause de possibles fuites dans l'un ou l'autre des circuits (Voir la Garantie).
- L'appareil doit être installé dans un espace dûment préparé et d'accès facile à tous les composants du Spa. La garantie ne couvrira en aucun cas les travaux de maçonnerie nécessaires pour mettre en place ou remplacer le produit (Voir la Garantie).
- Si vous utilisez un couvercle qui ne tient pas compte des éléments et / ou la sécurité pour empêcher l'accès non contrôlé à la station thermique d'ancrage, il est recommandé que tout élément alternatif (par exemple boîtier de contrôle d'accès ou de clôture de périmètre ...) est installé pour empêcher l'accès ou mauvaise utilisation du spa.

2.2. REMARQUES SUR LES TRAVAUX D'INSTALLATION ET DE MONTAGE

- Pendant la connexion des cables électriques à l'appareil soigner la disposition dans boîte de dérivation, vérifier qu'il ne reste aucun bout de cable à l'intérieur après sa fermeture et que le branchement terre soit correctement effectué.
- Faire spécialement attention à ce que d'aucune façon, l'eau ne rentre en contact ni avec les éléments électriques ni avec les pompes.

2.3. REMARQUES SUR LES TRAVAUX D'ENTRETIEN

- Avant de procéder à toute intervention d'entretien électrique ou mécanique, vérifiez que l'appareil a été débranché du réseau d'alimentation et que les dispositifs de mise en marche sont bloqués.
- Ne manipulez jamais l'appareil si vous avez les pieds mouillés.

3. INSTALLATION ET MONTAGE

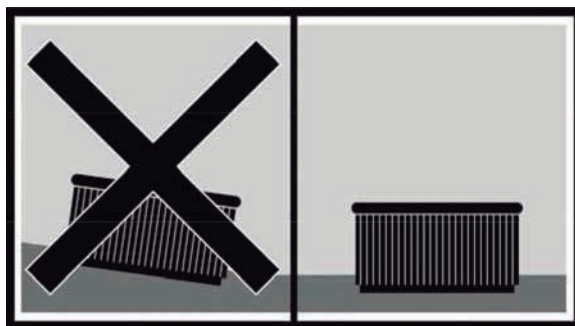
Avant de procéder à l'installation et au montage du Spa, assurez-vous que le Spa vous a été livré en parfaites conditions d'emballage. Si l'emballage est abîmé, faites-le savoir immédiatement à votre distributeur.

3.1. MISE EN PLACE ET POSE DU SPA

Posez le Spa en position horizontale, en faisant reposer toute la base inférieure du meuble sur une surface lisse et plane, capable de supporter tout son poids en usage (rempli d'eau, plus le poids des baigneurs).

Le Spa ne peut pas être monté sur une surface courbe ou sur des blocs.

Le panneau latéral où sont situés les moteurs doit toujours être totalement accessible. A fin de pouvoir réaliser facilement les tâches de maintenance, l'emplacement du Spa doit permettre de le déplacer pour y avoir aisément accès sur tous les côtés.



3.2. INSTALLATION EN EXTERIEURS

Ne laissez pas le Spa exposé au soleil s'il n'est pas rempli d'eau et couvert d'une protection. N'oubliez pas qu'une exposition prolongée au soleil peut abîmer le matériel acrylique de votre Spa, ainsi que ses accessoires. L'acrylique absorbe rapidement la chaleur des rayons solaires pouvant atteindre des températures très élevées qui l'endommageraient considérablement. La Température maximale d'absorption est de 60 °C.



Placez-le de préférence loin d'endroits boisés, car les feuilles qui tombent des arbres peuvent boucher le filtre.

Si vous placez le Spa dans une zone vitrée, veillez à ce que les rayons du soleil ne donnent pas sur le Spa à travers les vitres, car cela entraînerait une augmentation excessive de la température sur l'acrylique.

Évitez tout emplacement où l'eau pourrait pénétrer dans le compartiment du dispositif électrique et veillez à ce que le meuble ne soit pas en contact direct avec des zones où l'humidité est élevée.



Il ne faut jamais laisser le Spa vide et dépourvu de couverture à des températures ambiantes supérieures à 20 °C ou inférieures à 4 °C.

3.3. INSTALLATION EN INTERIEURS

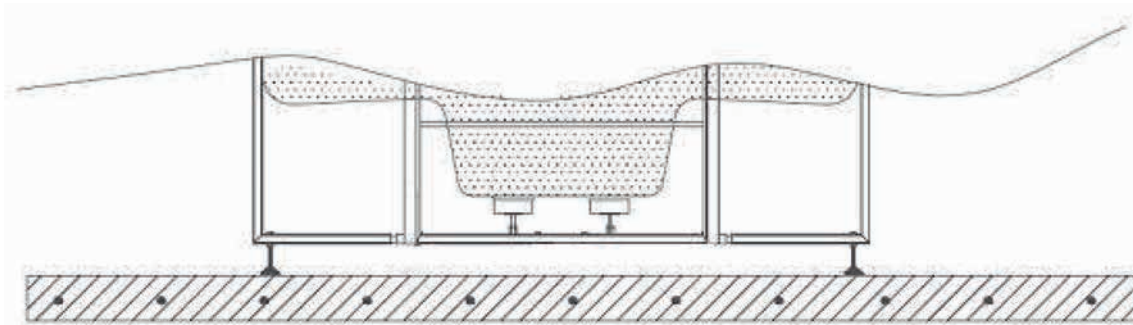
Il est recommandé de prévoir une bouche d'égout dans la zone où va être installé le Spa, afin d'éviter tout autour l'accumulation d'eau, évitant de cette façon de créer des zones d'accès dangereux pour les baigneurs.

N'oubliez pas que le fonctionnement du Spa provoque une augmentation de l'humidité dans la salle ; il faudra donc prévoir un système quelconque d'aération pour éviter les concentrations d'humidité, qui peuvent abîmer les éléments de la salle où est installé le Spa.

En recouvrant le Spa d'une couverture, vous réduirez la perte de chaleur et l'humidité de la salle.

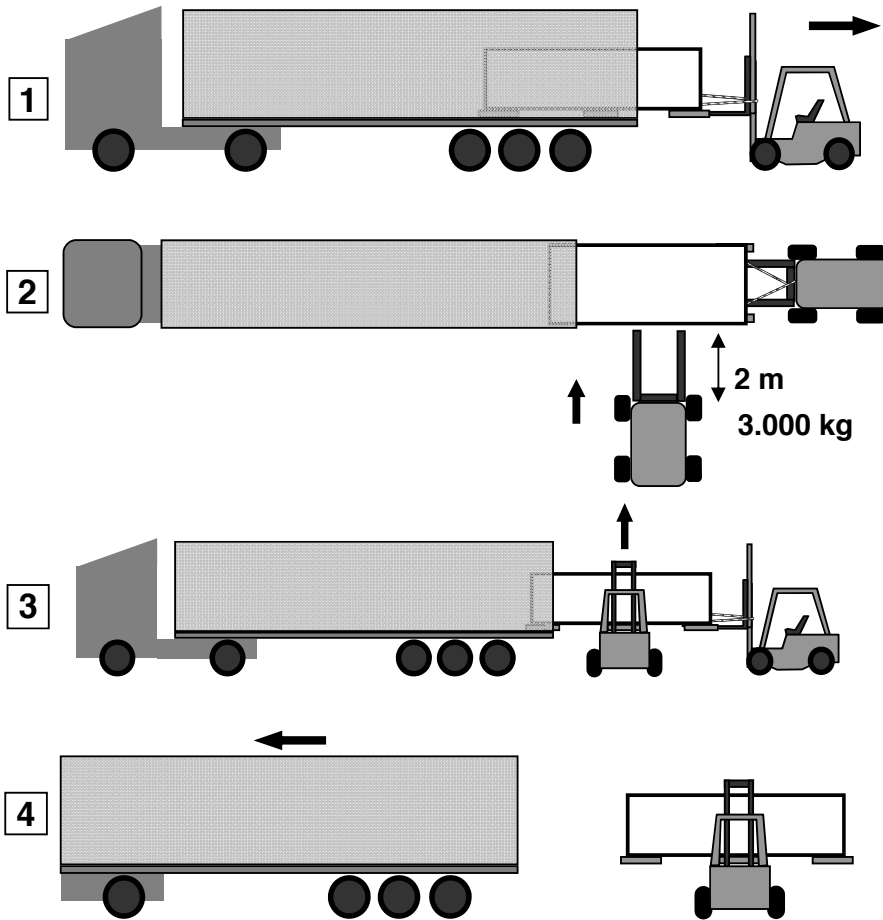
3.4. SPAS PORTABLES NIVEAUX

Algunos spas se suministran con una estructura metálica nivelable para facilitar su instalación. Esta estructura tiene varios puntos de apoyo. Antes de llenar el Spa, estos puntos de nivelación deben de regularse para que todos estén en contacto con el suelo.

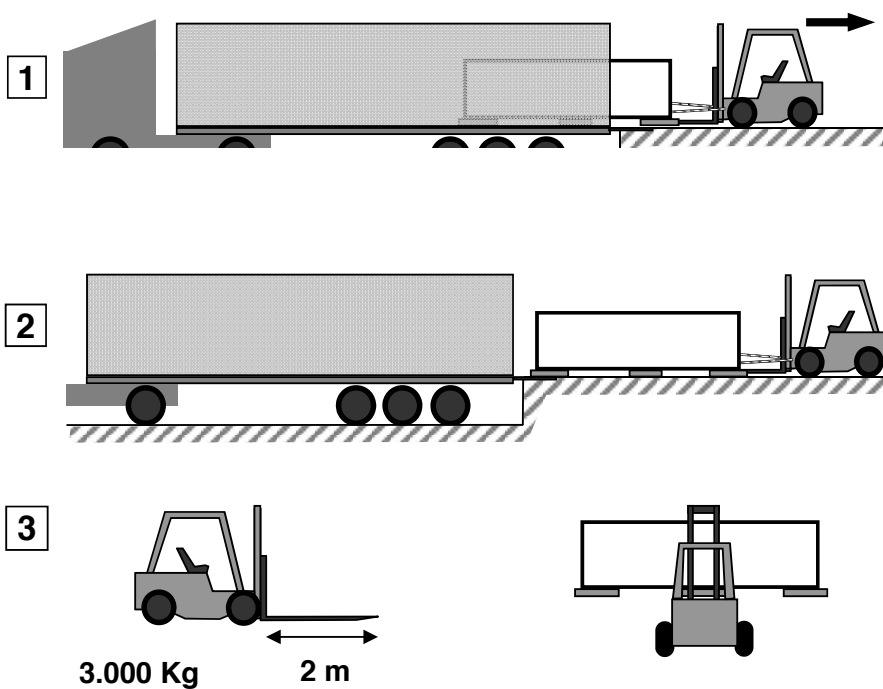


3.5. SWIMSPA - INSTALLATION

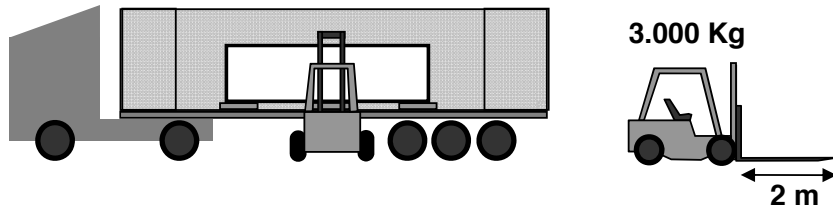
A. Swimspa - Container Download



B. Swimspa - Container Download B

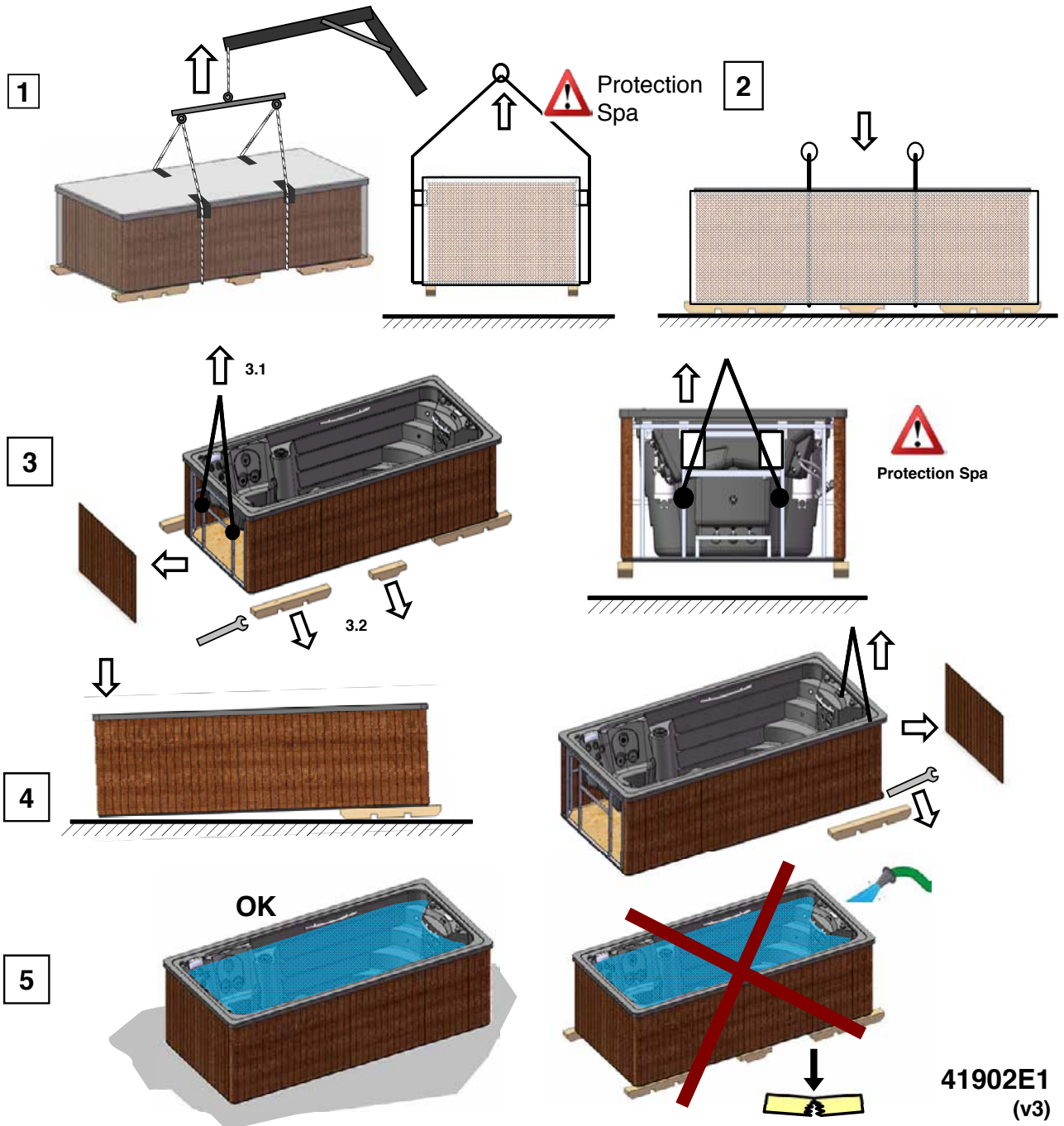


C. Swimspa - Truck Download



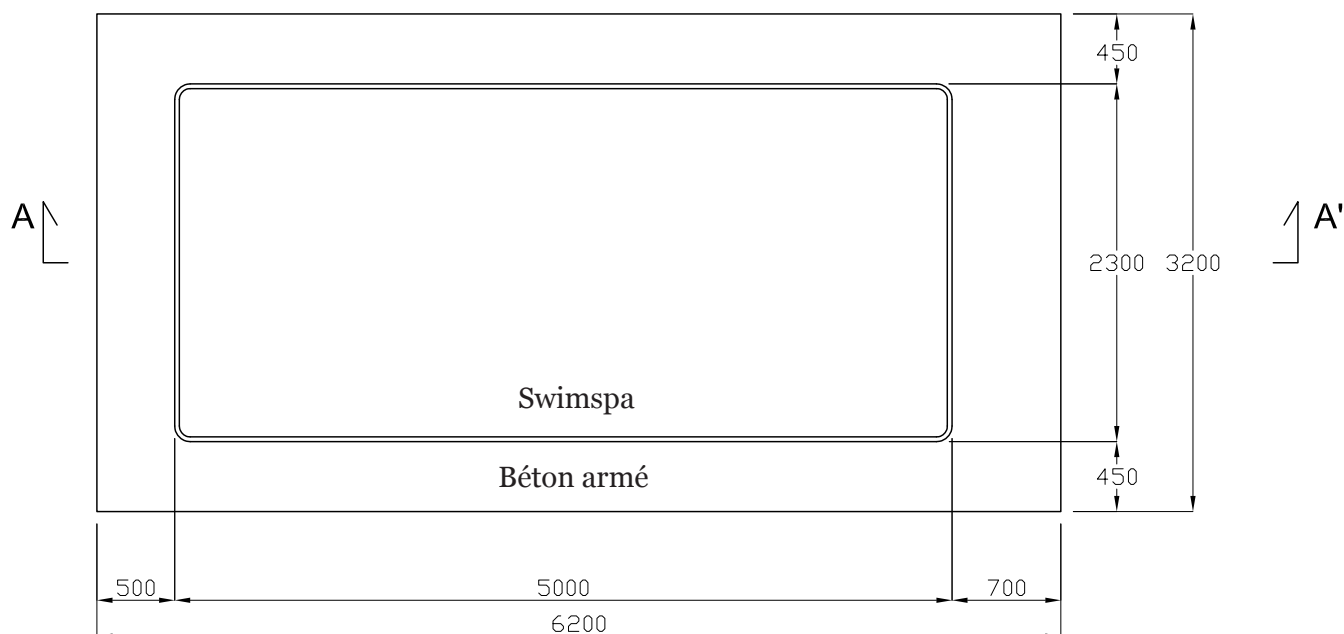
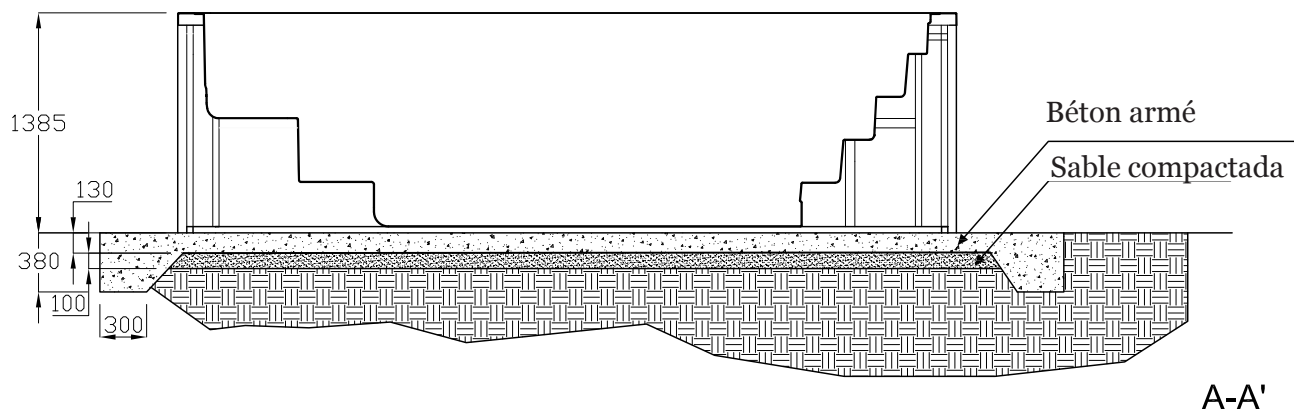
D. Swimspa - Installation

Dimensions & Weight:
See Technical Doc.



Des conseils sur comme la Fondation réalise pour Swimspa

Dimensions en mm

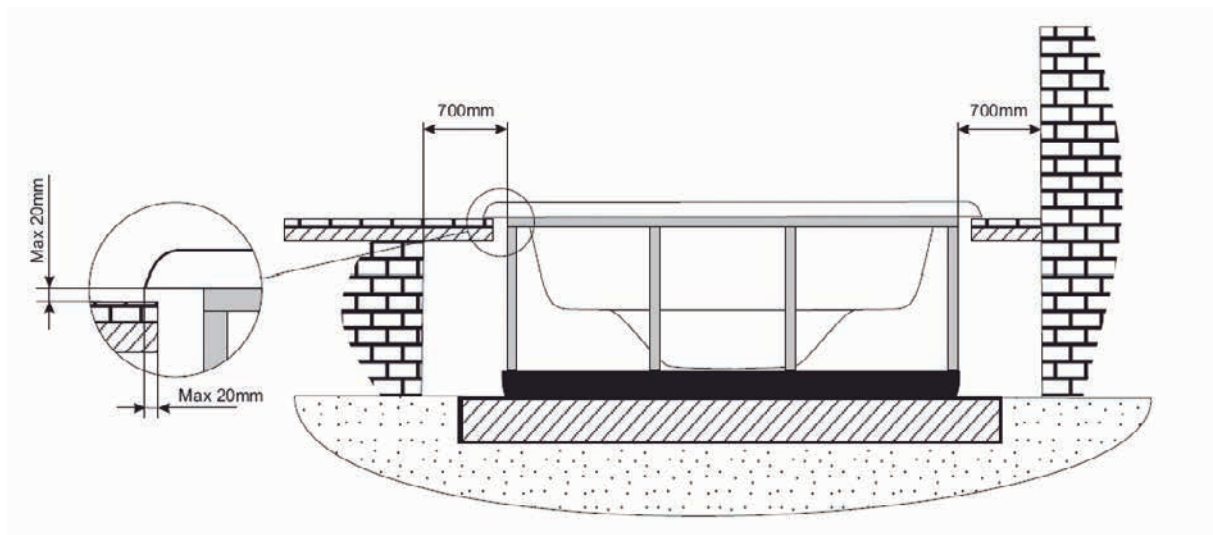


Observations :

Ceci est un schéma/exemple représentatif. Pour réaliser la conception et l'exécution, il est conseillé de faire appel à un architecte/ingénieur pour s'assurer que la dalle de cimentation en béton pourra soutenir le Swim Spa rempli d'eau, ainsi que le poids des personnes qui l'utiliseront, et les meubles et autres objets se trouvant sur la zone de support. Cette même responsabilité pour l'installation doit faire référence et répondre aux réglementations locales relatives aux cimentations et/ou constructions.

3.6. INSTALLATION D'UN SPA ENTERRÉ

Vous devez vous rappeler que, pour éviter des contractions et de possibles dommages sur la coque, vous ne devez jamais fixer la structure du spa au sol, il faut simplement le poser et il se tiendra de son propre poids. Surtout ne le soulevez pas en le tenant par son périmètre supérieur.



Une fois le spa posé correctement, terminez la maçonnerie en posant du carrelage ou similaire et en veillant à ce que le contour de la coque du spa ne soit jamais en contact direct avec la maçonnerie (il faut laisser une marge d'au moins 1 centimètres sut tout le pourtour).

N'oubliez pas de laisser un espace suffisamment large dans la zone d'accès aux pompes et au tableau électrique pour pouvoir effectuer les tâches d'entretien. Cet espace devrait être d'au moins 0,7 mètre.

Pour sceller le rebord du spa à l'ouvrage, utilisez de la silicone élastique spéciale pour installation aquatiques.



IMPORTANT

Laisser un accès au spa de trappe de maintenance.

Ne jamais couvrir avec du béton

LAISSEZ UN ESPACE DE 70CM AUTOUR DU SPA.

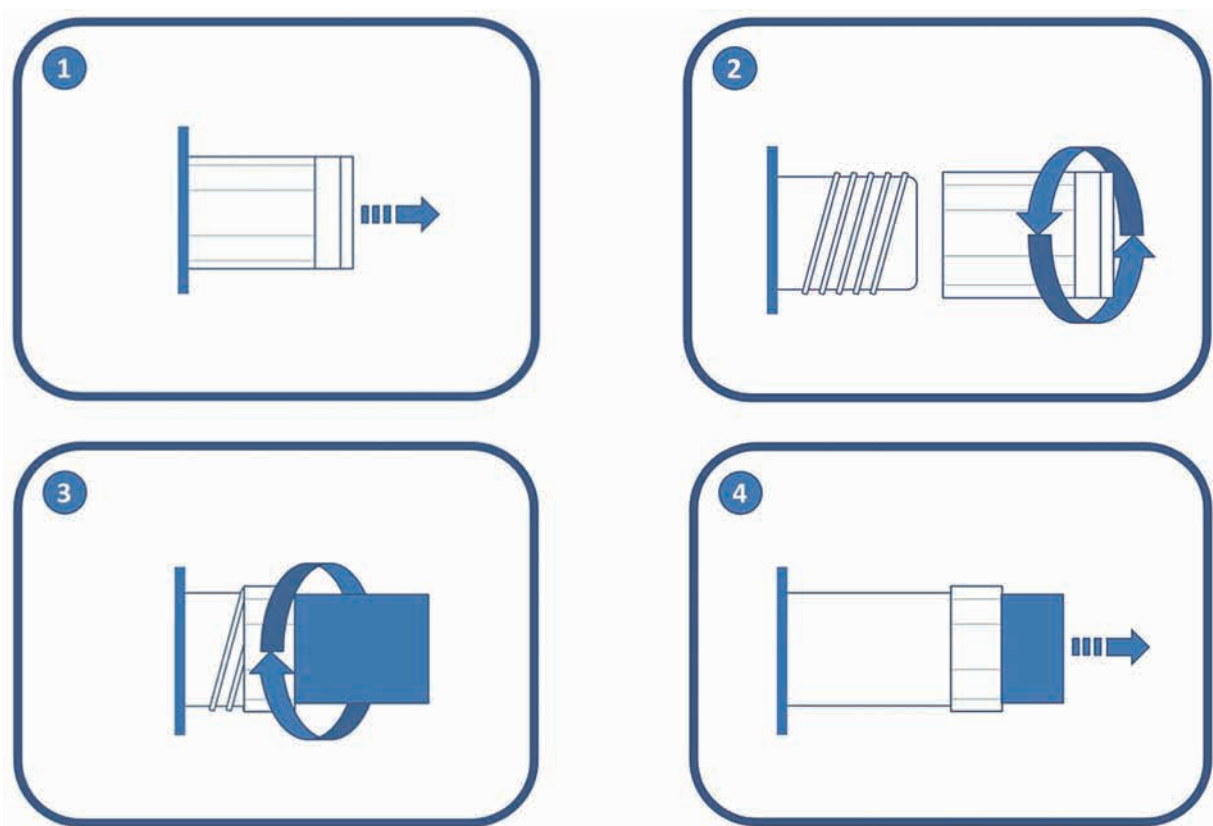
4. VIDANGE DU SPA

Le Spa est équipé d'un système de vidange manuel, par gravité, à travers une soupape d'écoulement.

Si vous le jugez opportun, vous pouvez réaliser une installation de vidange reliant le Spa au tout-à-l'égout général de votre logement.

La soupape d'écoulement doit toujours être fermée, elle ne doit être en position ouverte que lorsque vous souhaitez vider le Spa.

Le fonctionnement de la soupape d'écoulement est le suivant:



ATTENTION

Ne pas oublier que la vidange du spa n'est pas complète.
 Pour les longues périodes d'inactivité et surtout en hiver, enlever l'eau demeurant dans les sièges et sur le fond du spa avec une éponge.
 Les restes d'eau dans les conduites peuvent être aspirés au travers des buses d'eau et d'air avec une pompe à vide pour les liquides.
 Il faut aussi vidanger les pompes au travers du bouchon de vidange.

5. BRANCHEMENT ÉLECTRIQUE



ATTENTION - TRÈS IMPORTANT

- Cet appareil ne peut être branché à une simple prise de courant.
- Cet appareil requiert une installation électrique appropriée. Celle-ci doit être faite par une personne spécialisée dans le respect des normes de sécurité en matière d'électricité en vigueur dans chaque pays.
- L'alimentation électrique du Spa doit toujours être protégée par un différentiel à haute sensibilité. Nous recommandons d'installer un différentiel de 30 mA.
- Il est indispensable de réaliser la connexion à la prise de terre.
- Utilisez un câble de section appropriée à la puissance du Spa et à la distance du tableau électrique.
- Respectez à tout moment les indications du chapitre : Mises en garde de sécurité de ce manuel.



ATTENTION - RISQUE DE DÉCHARGE ÉLECTRIQUE

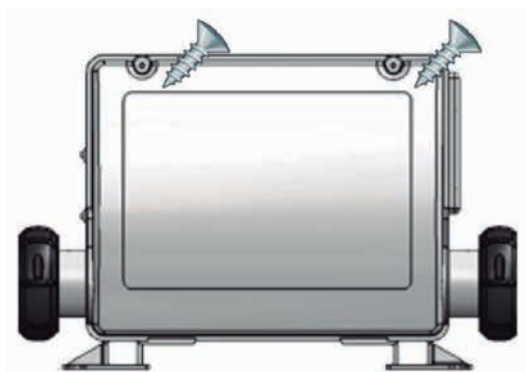
- Avant de faire des travaux, quels qu'ils soient, sur le Spa, il faut débrancher l'alimentation électrique (différentiel en position *OFF*) ou bien débrancher le câble du secteur.
- N'essayez pas d'accéder à un composant électrique, quel qu'il soit, si vous n'êtes pas une personne formée techniquement ou le Responsable de l'entretien.
- Pour manipuler les dispositifs électriques, utilisez toujours des équipements de protection personnelle appropriés, ainsi que des outils adéquats.
- N'accédez jamais aux dispositifs électriques si vous avez le corps mouillé, surtout si vous avez les pieds mouillés.
- Ne branchez pas le dispositif électrique (différentiel en position *ON*) s'il n'y a pas d'eau dans le Spa.

Pour connecter le Spa, procédez comme suit:

Ouvrez le panneau latéral du meuble qui donne accès aux composants électriques.



Ouvrir la tableau électrique.



Réaliser la connexion du tableau électrique du Spa au différentiel.

Réaliser la connexion du tableau électrique du Spa au différentiel.

L'installation électrique doit incorporer un différentiel de haute sensibilité à 2 pôles dans le tableau d'entrée du courant général (le différentiel n'est pas fourni avec le Spa).

**ATTENTION**

Il est indispensable que le propriétaire du Spa examine et fasse fonctionner périodiquement l'interrupteur différentiel pour vérifier le bon fonctionnement de celui-ci. Il est conseillé de réaliser cette opération au moins une fois par mois. Vérifiez que le différentiel est bien en position *OFF* (Fermé). Mettez le différentiel sur la position *ON* (Ouvert) uniquement lorsque le Spa est rempli d'eau.

Réaliser la connexion du tableau électrique du Spa au différentiel

Avant de réaliser tout travail sur le Spa, il faut couper l'alimentation électrique (mettre le différentiel en position *OFF* ou bien débrancher le câble du secteur).

Utiliser un câble approprié selon le type de local où est installé le Spa et en fonction de la législation en vigueur qui lui est applicable, pour relier le différentiel à l'armoire électrique du Spa. La section du câble sera différente selon le modèle de Spa et la distance de l'installation.

Vous pouvez voir les kW requis sur la feuille annexe de *Spécifications techniques du Spa*; il faudra tenir compte de la consommation maximum en fonction de la configuration "High Amp" ou "Low Amp".

Configuration High Amp / Low Amp

En fonction de la configuration du Spa, la consommation électrique, et donc le type d'installation nécessaire, peut varier considérablement.

LOW AMP:

Cette configuration débranche le radiateur électrique dès qu'une pompe de massage se met en route. Elle permet de limiter la consommation électrique. C'est la configuration par défaut d'usine.

HIGH AMP:

Cette configuration permet à tous les éléments du Spa de fonctionner en même temps. Elle requiert une installation consommant plus d'électricité.

DIP SWITCH FUNCTIONS FOR BP SYSTEMS

Commutateurs DIP de fonction fixe

- A1** Mode Test (normalement sur OFF).
- A2** En position « ON », ajoute une pompe à grande vitesse (ou une soufflante) avec chauffe-eau.
- A3** En position « ON », ajoute deux pompes à grande vitesse (ou 1 pompe à grande vitesse et une soufflante) avec chauffe-eau.

- A4** En position « ON », ajoute quatre pompes à grande vitesse (ou 3 pompes à grande vitesse et une soufflante) avec chauffe-eau.
- A5** En position « ON », active les fonctions de la règle B d'ampérage spécial. Reportez-vous à la section relative aux fonctions spéciales dans les options de configuration pour la fonctionnalité avec votre système. En position « OFF », active les fonctions de la règle A d'ampérage spéciale.
- A6** Réinitialisation de la mémoire continue (utilisé lorsque le spa est mis sous tension pour restaurer les réglages d'usine tels que définis par la configuration logicielle).

A2, A3 et A4 fonctionnent de concert pour déterminer le nombre d'appareils à grande vitesse et de soufflantes qui peuvent fonctionner avant que le chauffage soit désactivé. Autrement dit, A2 et A3 en position ON et A4 en position OFF permettront au chauffe-eau de fonctionner avec 3 pompes à grande vitesse (ou deux pompes à grande vitesse et une soufflante) à la fois. Le chauffage est désactivé lorsque la quatrième pompe à grande vitesse ou la soufflante est activée.

Note: **A2/A3/A4** sur OFF = aucun chauffage si toute pompe à grande vitesse ou soufflante fonctionne.

Commutateurs DIP assignables

A7 En position « ON » active un refroidissement de 5 minutes pour certains chauffe-eaux au gaz (temps de refroidissement B). En position « OFF » active un refroidissement de 1 minute pour certains chauffe-eaux au gaz (temps de refroidissement A).

Les commutateurs non désignés n'ont pas de fonction assignée.

REMARQUE IMPORTANTE:

Sur la Feuille des Spécifications électriques qui est jointe à la fin de ce manuel, vous pouvez consulter la puissance "Low Amp" ainsi que la puissance "High Amp". Pour déterminer la section des conducteurs de l'installation électrique, il faut tenir compte des valeurs qui figurent sur ladite Feuille de Spécifications électriques ainsi que du tableau suivant:

Tableau de la relation des sections, distance et puissance requise

	KW requis										
	2,1	2,5	2,8	3,2	3,5	4,4	5,3	6,2	7,0	7,9	8,8
Distancia	Section nominale du câble en mm ²										
6 - 11 m	2,5	2,5	2,5	2,5	4	4	6	10	10	10	10
11 - 15 m	2,5	2,5	4	4	4	6	6	10	10	10	10
15 - 20 m	4	4	4	6	6	6	10	10	10	16	16

Pour des distances plus grandes, il faut augmenter proportionnellement la section du câble.

Il peut exister des configurations qui obligent à installer une ligne de 32 A, deux lignes de 16 A ou même une ligne triphasée (3 x 16 A) pour répondre à la demande de puissance du Spa.

Vous trouverez les options de configuration de votre tableau électrique plus loin dans ce Manuel d'Installation.

N'oubliez pas que l'installation et les changements de configuration électrique doivent être réalisés par des professionnels dûment qualifiés et dans le respect, à tout moment, des normes en vigueur dans chaque pays.

Le fabricant n'assume aucune responsabilité de possibles dommages occasionnés par une installation inappropriée ou faite par du personnel non qualifié.



ATTENTION

Tenez compte de la position de l'interrupteur de consommation maximum.
Si vous n'utilisez pas le câble approprié à la distance et à la puissance du Spa, ce dernier ne fonctionnera pas correctement, ce qui pourrait provoquer une surchauffe excessive des circuits électriques avec le risque conséquent d'accident électrique. Utilisez toujours un câble ayant la section appropriée à la consommation maximum. En cas de doute entre deux valeurs, utilisez toujours le câble ayant la plus grande section.

Pour faire arriver l'alimentation au tableau électrique du Spa, localisez le presse-étoupe qui est situé sur un des côtés du tableau électrique.

Assurez-vous que le câble de connexion n'est pas sous courant électrique (l'interrupteur du différentiel doit être en position *OFF*).

Faites arriver le câble jusqu'au tableau électrique du Spa.

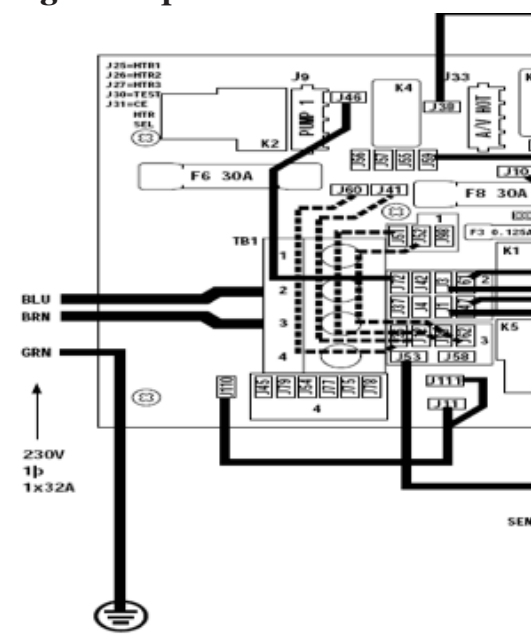
Ouvrez le dessus du tableau électrique, puis introduisez le câble d'alimentation dans le panneau latéral libre.

Attention : le câble de couleur bleue est le neutre et celui de couleur marron indique la ligne ou phase.

Fixez les bornes comme il est indiqué sur les schémas et du type d'alimentation électrique.

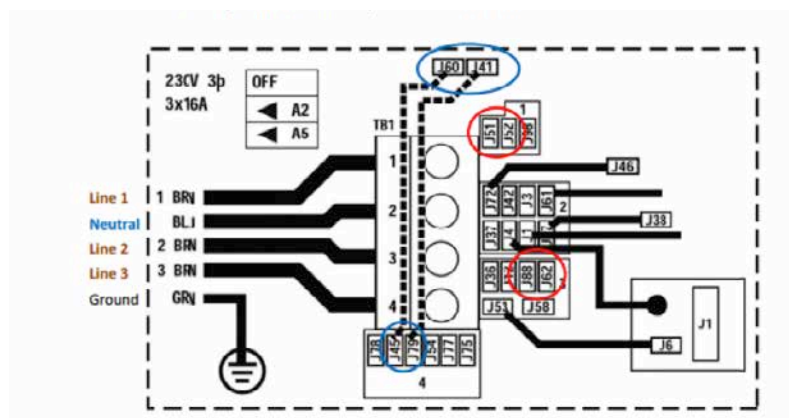
BP SYSTEM



Ligne unique



Comment connecter les systèmes BP2100 en trois phases 400v

Ligne triphasée



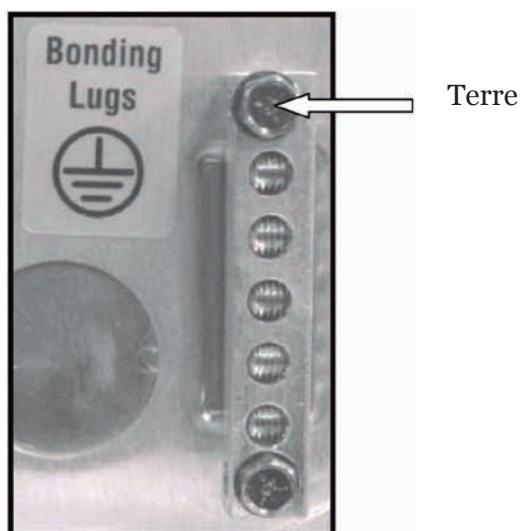
Suppression des ponts ; J51-J88 et J52-J62 
 Modifie ces ponts
 J60-J36 -> TO J60-J45 
 J41-J12 -> TO J41-J79

Alimentation requise:

3 services 5 câbles : Ligne 2, Ligne2, Ligne 3, neutre, mise à la terre 400 VCA, 50/60 Hz* triphasé, 16 A (caractéristiques du disjoncteur = 20 A max pour chaque ligne de phase).

* Les systèmes BP détectent automatiquement 50 Hz vs 60 Hz

Fixez le câble de prise de terre (jaune et vert) à la borne située à l'extérieur de l'armoire de manœuvre comme indiqué sur le schéma suivant:



ATTENTION

Ne connectez l'alimentation électrique (différentiel en position ON) que lorsque le Spa sera rempli d'eau.

6. MISE EN MARCHÉ



ATTENTION

Avant de mettre le Spa en marche, lisez attentivement les instructions suivantes.

6.1. REMPLISSAGE DU SPA

Le Spa ne dispose pas de système de remplissage spécifique. Il est recommandé d'utiliser un système de remplissage manuel à l'aide d'un tuyau d'arrosage ou similaire.

Procédez comme suit:

- Avant de commencer à remplir le Spa, localisez la soupape d'écoulement (Cf. paragraphe Localisation de la soupape d'écoulement) et vérifiez qu'elle est bien en position FERMÉE.
- Remplissez le Spa par le dessus, avec de l'eau propre.



6.2. REMPLISSAGE DE SPAS PRIVÉS À DÉBORDEMENT

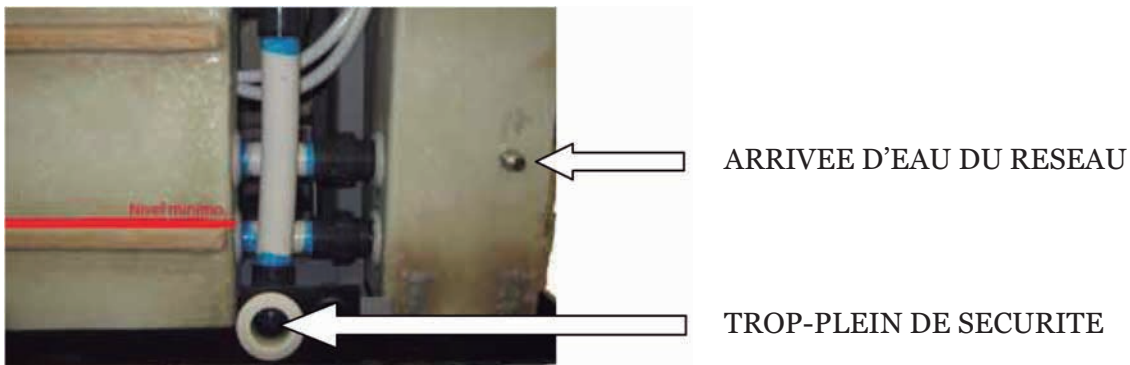
Il est conseillé d'utiliser un système de remplissage manuel de type tuyau d'arrosage ou similaire.

Procéder de la manière suivante :

Avant de commencer à remplir le Spa, localiser les vannes de vidange et s'assurer qu'elles sont fermées, excepté le trop-plein de sécurité, qui doit rester ouvert en permanence.

Remplir le Spa par le haut, avec de l'eau propre, jusqu'à ce qu'il commence à déborder.

Brancher une arrivée du réseau d'eau à l'entrée de l'un des réservoirs.



Le spa dispose d'un système de remplissage qui fonctionne au moyen d'un flotteur de niveau ; la sortie de ce flotteur doit être branchée au réseau avec une pression d'eau constante.

Si le spa perd de l'eau par évaporation, le système remplit à nouveau les réservoirs automatiquement.

Les réservoirs de compensation disposent d'un trop-plein de sécurité pour évacuer l'eau.



ATTENTION

LES RÉSERVOIRS DE COMPENSATION DES SPAS PRIVÉS À DÉBORDEMENT POSSÈDENT UNE CAPACITÉ LIMITÉE.

ILS PEUVENT CONTENIR JUSQU'À 280 LITRES D'EAU, L'ÉQUIVALENT DE 4 PERSONNES PARTIELLEMENT SUBMERGÉES.

LES UTILISATEURS DOIVENT ENTRER UN PAR UN DANS LE SPA ET SANS PRÉCIPITATION, AFIN QUE LES RÉSERVOIRS PUISSENT ABSORBER L'EAU DÉPLACÉE ET AINSI ÉVITER QU'ELLE NE TOMBE HORS DU SPA.



ATTENTION

Pendant le processus de remplissage, il faut veiller à ce que l'eau ne pénètre pas dans les parties électriques.

L'utilisation de l'eau de mer dans le Spa entraîne, très rapidement, une détérioration généralisée de tous les composants du circuit.

Ne remplissez pas le Spa d'eau chaude à plus de 50 °C, car cela pourrait déclencher le thermostat de sécurité et abîmer les dispositifs et les connexions.

Après avoir rempli le Spa d'eau, connectez le dispositif électrique en mettant la languette de l'interrupteur du différentiel en position *ON* (Cf. paragraphe Branchement électrique).

N'utilisez pas le Spa si, au préalable, vous n'avez pas lu très attentivement toutes les informations qui sont détaillées dans les points suivants:

- Réglez le pH de l'eau entre 7,2 et 7,6 (*Operating instructions*).
- Ajoutez tous les produits chimiques nécessaires et recommandés au paragraphe Entretien de l'eau (*Operating instructions*).
- Sélectionnez la température voulue (*Operating instructions*). N'oubliez pas que le Spa, en partant d'eau froide, peut tarder 24 heures pour atteindre une température de 38 °C.
- Avant d'utiliser le Spa, vérifiez de nouveau les valeurs du pH dérivés des traitements effectués au point précédent.

7. PANNES ET SOLUTIONS

Problèmes	Motifs	Solutions
Le débit d'eau filtrée est insuffisant.	Filtre obstrué à cause des impuretés.	Effectuer le lavage du filtre.
La pompe de massage des Jets ne fonctionne pas. Rien ne fonctionne.	Le câble du panneau de contrôle numérique est déconnecté de la plaque. Absence d'alimentation électrique. Différentiel déconnecté.	Connecter le câble à la plaque. Vérifier la connexion de la pompe au tableau électrique. Connecter le différentiel.
La pompe du massage d'air <i>Blower</i> ne s'actionne pas.	Le câble du panneau de contrôle numérique est déconnecté de la plaque. Absence d'alimentation électrique. Par suite de surchauffe, la pompe se déconnecte toute seule.	Connecter le câble à la plaque. Vérifier la connexion de la pompe au tableau électrique. Laisser refroidir pendant 3 heures environ, puis actionner de nouveau la pompe.
De l'eau sort par le <i>Venturi</i> .	Jets fermés. Jets mal installés : l'enjoliveur extérieur du jet a une rotation d'un quart de tour pour ouvrir et fermer le passage de l'eau. Si cet enjoliveur tourne en faisant un tour complet, il n'est pas bien installé et il faudra retirer le jet et le replacer correctement.	Ouvrir le jet. Extraire le jet : Tirer sur l'enjoliveur extérieur et l'extraire de 2 cm environ. Dévisser le jet en tournant dans le sens contraire aux aiguilles d'une montre. Une fois le jet démonté, le remettre en place, en vissant dans le sens des aiguilles d'une montre. Repousser à l'intérieur l'enjoliveur extérieur.
Faible débit d'air dans les Jets.	<i>Venturis</i> fermés.	Ouvrir les <i>Venturis</i> .
Faible débit d'air.	Balais du moteur usés.	Remplacer la pompe.

Remarque: Au paragraphe *Message de diagnostic du panneau de contrôle (Manuel de l'Utilisateur)*, vous trouverez les messages de diagnostic pour résoudre de possibles pannes.

INHALTSVERZEICHNIS

1. ALLGEMEINE DATEN	70
2. SICHERHEITSHINWEISE	70
2.1. ALLGEMEINES	70
2.2. HINWEISE FÜR DIE MONTAGE UND INSTALLATION	71
2.3. HINWEISE FÜR DIE WARTUNGSARBEITEN	71
3. INSTALLATION UND MONTAGE	72
3.1. AUFSTELLUNG UND STANDORT DES WHIRLPOOLS	72
3.2. AUFSTELLEN IM FREIEN	72
3.3. AUFSTELLEN IN GESCHLOSSENEN RÄUMEN	73
3.4. PORTABLE WHIRLPOOLS FÜR DEN PRIVATBEREICH	73
3.5. SWIMSPA – MONTAGE	74
3.6. SPA BEGRABEN INSTALLIEREN	77
4. WASSERABLASS DES WHIRLPOOLS	78
5. ELEKTRISCHER ANSCHLUSS	79
6. INBETRIEBNAHME	86
6.1. FÜLLEN DES WHIRLPOOLS	86
6.2. BEFÜLLUNG VON WHIRLPOOLS FÜR DEN PRIVATBEREICH MIT ÜBERLAUFRINNE	86
7. STÖRUNGEN UND BEHEBUNG	88



WICHTIG:

Die Bedienungsanleitung, die Sie in Händen haben, enthält grundlegende Informationen über die Sicherheitsmaßnahmen, die bei der Montage und Inbetriebnahme zu beachten sind. Deshalb ist es unerlässlich, dass sowohl der Monteur als auch der Benutzer diese Anweisungen lesen, bevor Sie die Montage und Inbetriebnahme durchführen.

1. ALLGEMEINE DATEN

Dieses Handbuch enthält alle notwendigen Informationen, damit Sie Ihren Whirlpool wirklich genießen können. Wir empfehlen Ihnen, sich die Zeit zu nehmen, um die Punkte durchzugehen, die wir im folgenden erläutern.

Falls Sie eine Frage oder Zweifel über die Funktion und die Wartung dieses Produktes haben, nehmen Sie mit einem der Monteure oder Verkäufer in Ihrer Region Kontakt auf. Sie werden von Fachleuten beraten, deren Kenntnisse Ihnen weiterhelfen, damit Sie dieses Produkt wirklich genießen können.

WICHTIG: Der Hersteller behält sich das Recht vor, Teile der Entwürfe oder technischen Daten ohne vorherige Mitteilung zu ändern, und ohne damit irgendeine Verpflichtung zu übernehmen.



ACHTUNG - WICHTIG

- Bevor jegliche Art von Arbeiten an dem Whirlpool durchgeführt werden, muss der Stromanschluss unterbrochen werden (Differentialschalter in die Position *OFF*, oder das Netzkabel herausziehen).
- Diese Anlage kann nicht mit einem einfachen Stecker angeschlossen werden.
- Für diese Anlage benötigen Sie die geeignete elektrische Installation. Diese muss von einem Fachmann verlegt werden, und die im jeweiligen Land geltenden Sicherheitsvorschriften für elektrische Installationen müssen berücksichtigt werden.
- Die elektrische Speisung des Whirlpools sollte immer durch einen sehr sensiblen Differentialschalter geschützt werden. Es wird ein Differentialschalter mit 30 mA empfohlen.
- Die Erdung ist unbedingt notwendig. Die Erdung des Gebäudes muss sich stets in einem perfekten Zustand befinden, um die Sicherheit des Benutzers des Whirlpools zu garantieren. Falls Sie Zweifel haben, lassen Sie die Erdung von Fachleuten überprüfen. Der Hersteller übernimmt keine Haftung für mögliche Schäden, die durch eine unsachgemäße Instandhaltung der Erdung verursacht werden.
- Die elektrische Ausrüstung (Differentialschalter in der Position *ON*) darf niemals angeschlossen werden, wenn der Whirlpool leer ist.
- Benutzen Sie ein Kabel mit einer geeigneten Querschnitt für die Leistung des Whirlpools und den Abstand zum Schaltkasten.
- Bitte beachten Sie stets die Anweisungen im Kapitel: Sicherheitshinweise in diesem Handbuch.
- Nur Fachleute oder Instandhaltungstechniker dürfen an den elektrischen Komponenten arbeiten.
- Niemals die elektrischen Komponenten mit nassen Füßen anfassen.
- Es sollte Mittel integrieren das Spa vom Netz als Teil der festen Installation zu trennen, nach den geltenden Vorschriften.

2. SICHERHEITSHINWEISE

2.1. ALLGEMEINES

- Es muss der Kontakt mit elektrischer Spannung vermieden werden.
- Die gültigen Normen zur Unfallverhütung müssen beachtet werden.
- Jegliche Veränderung, die an der Anlage vorgenommen werden soll, muss vom Hersteller genehmigt werden. Die Benutzung von Originalersatzteilen und Zubehör, die vom Hersteller

genehmigt wurden, garantiert mehr Sicherheit. Der Hersteller der Anlage übernimmt keinerlei Haftung für Schäden, die durch nicht autorisierte Ersatzteile oder Zubehör entstehen.

- Bei der Funktion des Gerätes stehen einige Teile der Ausrüstung unter gefährlich hoher Spannung. Arbeiten an den verschiedenen Elementen und Geräteteilen, die mit ihnen verbunden sind, dürfen nur durchgeführt werden, nachdem das Gerät vom Stromkreislauf getrennt wurde und die Starteinrichtungen ausgeschaltet sind.
- Der Benutzer muss dafür sorgen, dass die Montage- und Instandhaltungsarbeiten von autorisiertem und qualifiziertem Fachpersonal durchgeführt werden, und dass diese vorher sorgfältig die Montage- und Betriebsanleitungen durchgelesen haben.
- Die sichere Funktion der Anlage kann nur garantiert werden, wenn die Montage- und Betriebsanleitungen berücksichtigt werden.
- Die Grenzwerte, die im Schaltkasten angegeben sind, dürfen niemals überschritten werden.
- Falls es zu Fehlfunktionen und Schäden kommt, wenden Sie sich an die Servicetechniker des Herstellers, oder an den nächstgelegenen Repräsentanten des Herstellers.
- Bei der Montage des Whirlpools müssen immer die im jeweiligen Land gültigen gesetzlichen Vorschriften beachtet werden, und insbesondere die, die sich auf die elektrische Sicherheit beziehen.
- Bei dieser Anlage besteht Überschwemmungsgefahr. Deshalb muss sie an einem Ort aufgestellt werden, wo die Möglichkeit besteht, Wasser, das bei der Benutzung des Whirlpools oder durch Lecks in einem der Kreisläufe überläuft (sowohl von unten als auch von oben) aufzufangen und abzuleiten. (Siehe Garantie)
- Die Anlage muss an einem Ort montiert werden, der entsprechend vorbereitet ist und an dem man auf alle Komponenten des Whirlpools leicht zugreifen kann. Die Garantie deckt keine Maurerarbeiten, die für das Aufstellen oder den Austausch der Anlage notwendig sind. (Siehe Garantie)
- Bei Verwendung einer Abdeckung, die Elemente und / oder die Sicherheit nicht übernehmen zu verhindern unkontrollierten Zugang zum Wellnessbereich nicht Verankerung, empfiehlt es sich, dass jede alternative Element (zB Zutrittskontrolle Gehäuse oder Umzäunung ...) installiert ist, um Zugriff zu verhindern oder Missbrauch des Spa.

2.2. HINWEISE FÜR DIE MONTAGE UND INSTALLATION

- Während des Anschlusses von Elektrokabeln an die Anlage beachten Sie bitte die Anordnung im Inneren des Anschlusskastens und stellen Sie sicher, dass keine Kabelstücke im Inneren nach dem Schließen zurückbleiben. Überprüfen Sie auch die korrekte Erdung der Anlage.
- Es muss besonders darauf geachtet werden, dass niemals Wasser in die Pumpen oder an die unter elektrischer Spannung stehenden Elemente dringen darf.

2.3. HINWEISE FÜR DIE WARTUNGSARBEITEN

- Bevor irgendein Eingriff für die elektrische oder mechanische Wartung vorgenommen wird, überprüfen Sie, dass die Anlage nicht an das Stromnetz angeschlossen ist und dass die Startvorrichtungen gesperrt sind.
- Arbeiten Sie nicht mit nassen Füßen an der Anlage.

3. INSTALLATION UND MONTAGE

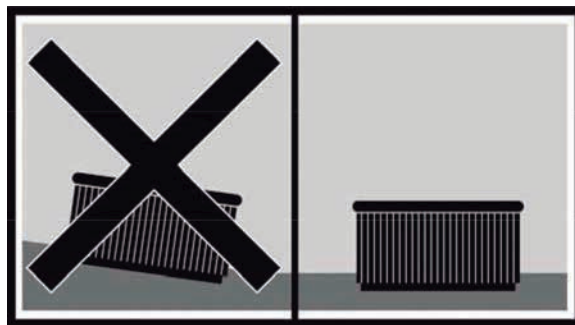
Bevor mit der Aufstellung und Montage des Whirlpools begonnen wird, überprüfen Sie, ob die Verpackung des Whirlpools sich in perfektem Zustand befindet. Falls die Verpackung beschädigt ist, benachrichtigen Sie unverzüglich Ihren Verkäufer.

3.1. AUFSTELLUNG UND STANDORT DES WHIRLPOOLS

Stellen Sie den Whirlpool in waagerechter Position auf, die gesamte untere Fläche des Möbels muss auf einer glatten und flachen Fläche aufliegen, die genügend Tragkraft für den Whirlpool im Gebrauch (Gewicht des Wassers und der badenden Person) besitzt.

Der Whirlpool darf nicht auf gekrümmten Oberflächen oder auf Blöcken aufgestellt werden.

Die Seite, auf der sich die Motoren befinden, muss absolut zugänglich sein. Zur einfachen Durchführung von Instandhaltungsarbeiten muss der Whirlpool so aufgestellt werden, dass man ihn bewegen kann, um bequem alle Seiten zu erreichen.



3.2. AUFSTELLEN IM FREIEN

Falls Sie den Whirlpool im Freien aufstellen, beachten Sie folgende Punkte:

Setzen Sie den Whirlpool niemals ohne Wasser und ohne Schutzabdeckung der Sonne aus. Beachten Sie, dass längere Sonneneinwirkung die Oberfläche und das Zubehör des Whirlpools beschädigen kann. Acryl absorbiert sehr schnell die Sonnenstrahlen und kann so leicht hohe Temperaturen erreichen, die sich schädlich auswirken. Die Höchsttemperatur, die aufgenommen werden kann, beträgt 60°C

Stellen Sie den Whirlpool nicht unter Bäumen auf, die herabfallenden Blätter könnten das Filter verstopfen.

Falls Sie den Whirlpool in verglasten Räumen aufstellen, muss vermieden werden, dass die Sonnenstrahlen durch das Glas direkt auf den Whirlpool fallen, da die Temperatur sonst zu hoch werden könnte.

Vermeiden Sie jeglichen Standort, an dem Wasser in die elektrische Ausrüstung eindringen kann. Das Möbel muss auch vor direktem Kontakt mit sehr feuchten Zonen geschützt werden.





Der Whirlpool darf bei Temperaturen über 20°C oder unter 4°C niemals leer und ohne Abdeckung sein.

3.3. AUFSTELLEN IN GESCHLOSSENEN RÄUMEN

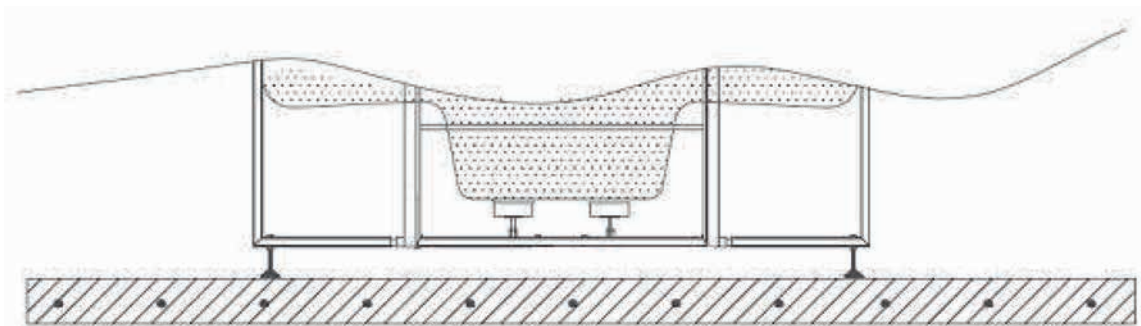
Es muss ein Wasserabfluss in der Nähe des Whirlpools vorgesehen werden, damit sich um den Whirlpool kein Wasser staut. Durch Wasserlachen können gefährliche Zugangsbereiche für die Badenden entstehen.

Bitte beachten Sie, dass sich durch die Funktion des Whirlpools die Feuchtigkeit im Raum erhöht. Es sollte also eine Entlüftung vorgesehen werden, damit der Raum und seine Elemente nicht durch die Feuchtigkeit in Mitleidenschaft gezogen werden.

Durch die Benutzung einer Abdeckung wird der Wärmeverlust und die Feuchtigkeit im Raum vermindert.

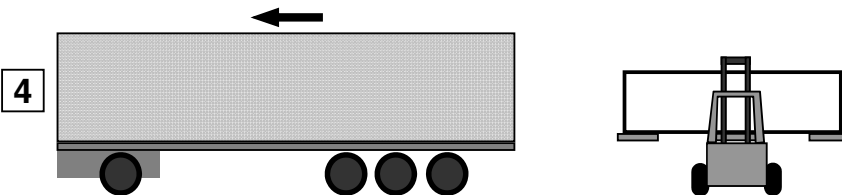
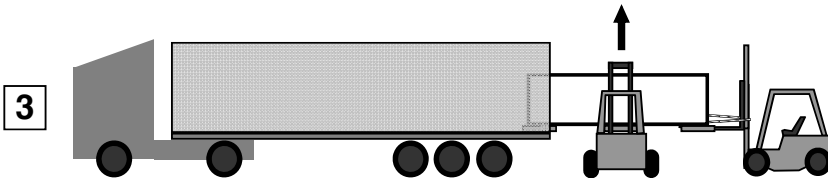
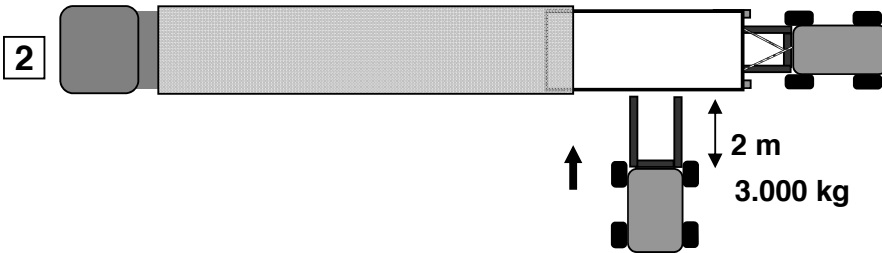
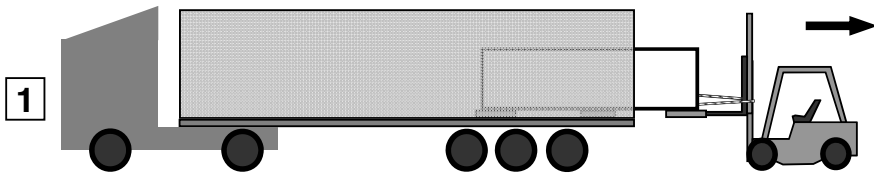
3.4. PORTABLE WHIRLPOOLS FÜR DEN PRIVATBEREICH

Einige Whirlpools werden mit einer Metallstruktur geliefert, die die Aufstellung vereinfacht. Diese Struktur verfügt über mehrere Stützen. Vor der Befüllung des Whirlpools müssen diese Stützen reguliert werden, damit alle Bodenkontakt haben.

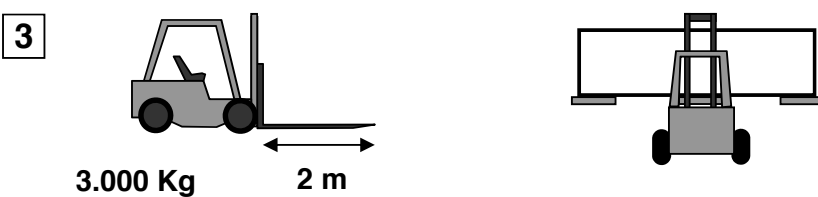
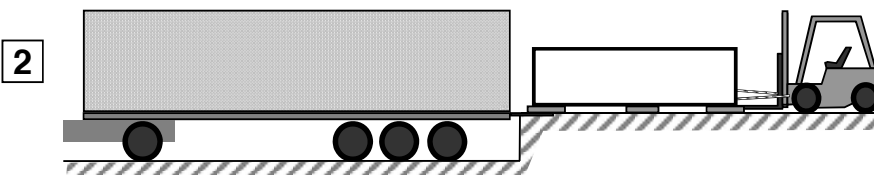
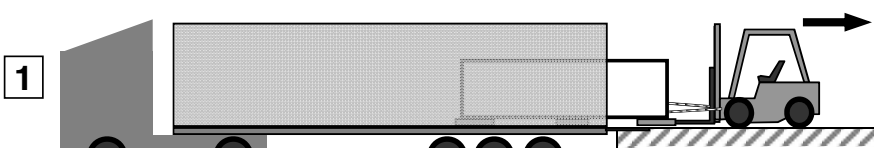


3.5. SWIMSPA - MONTAGE

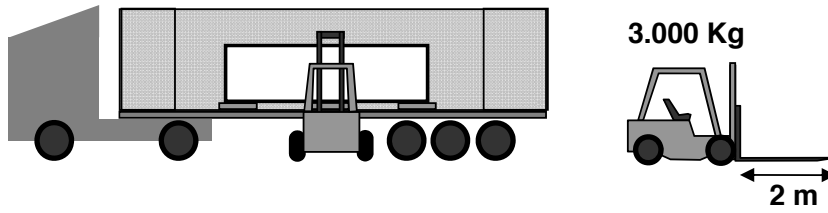
A. Swimsa - Container Download



B. Swimsa - Container Download B

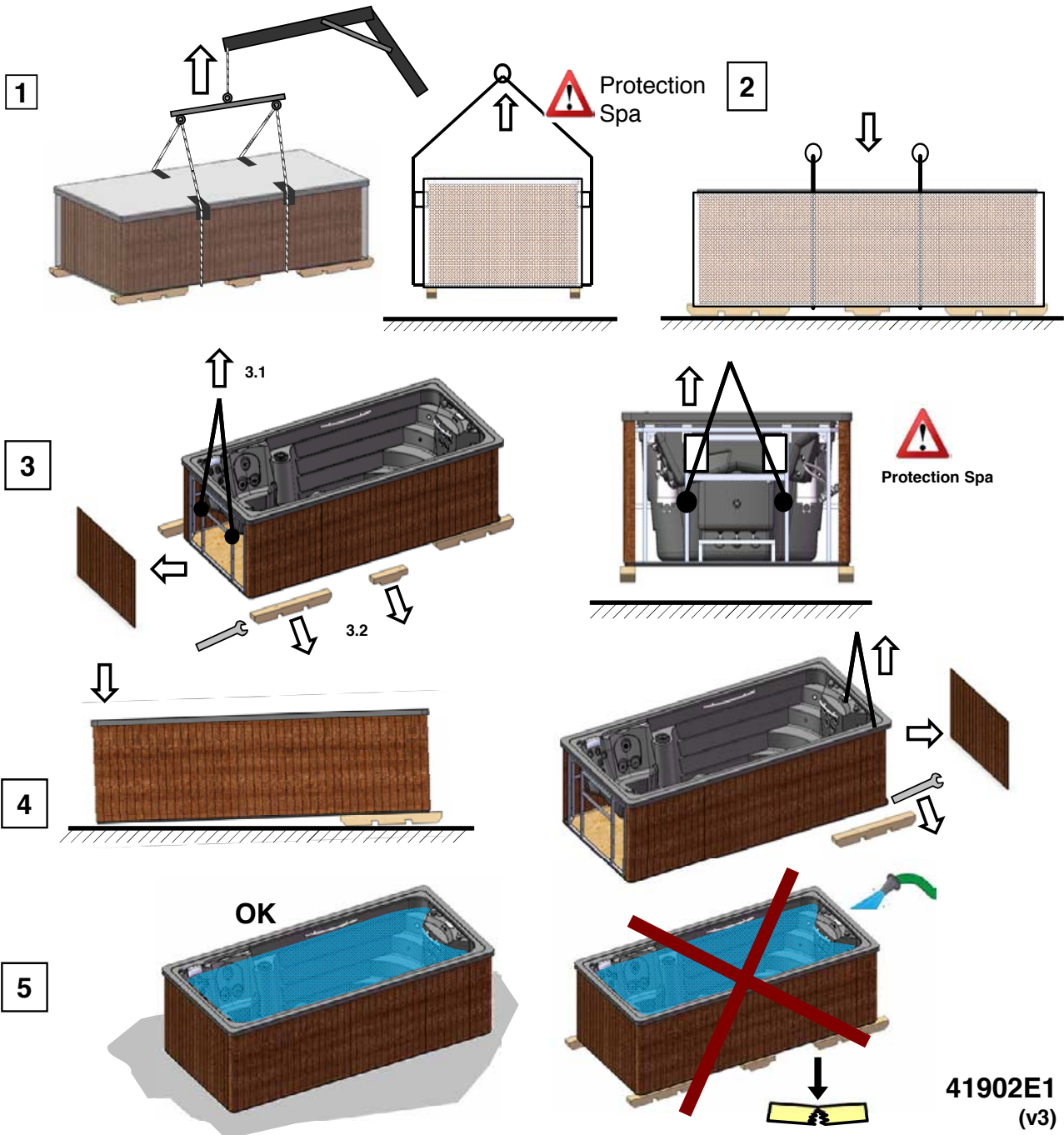


C. Swimspa - Truck Download



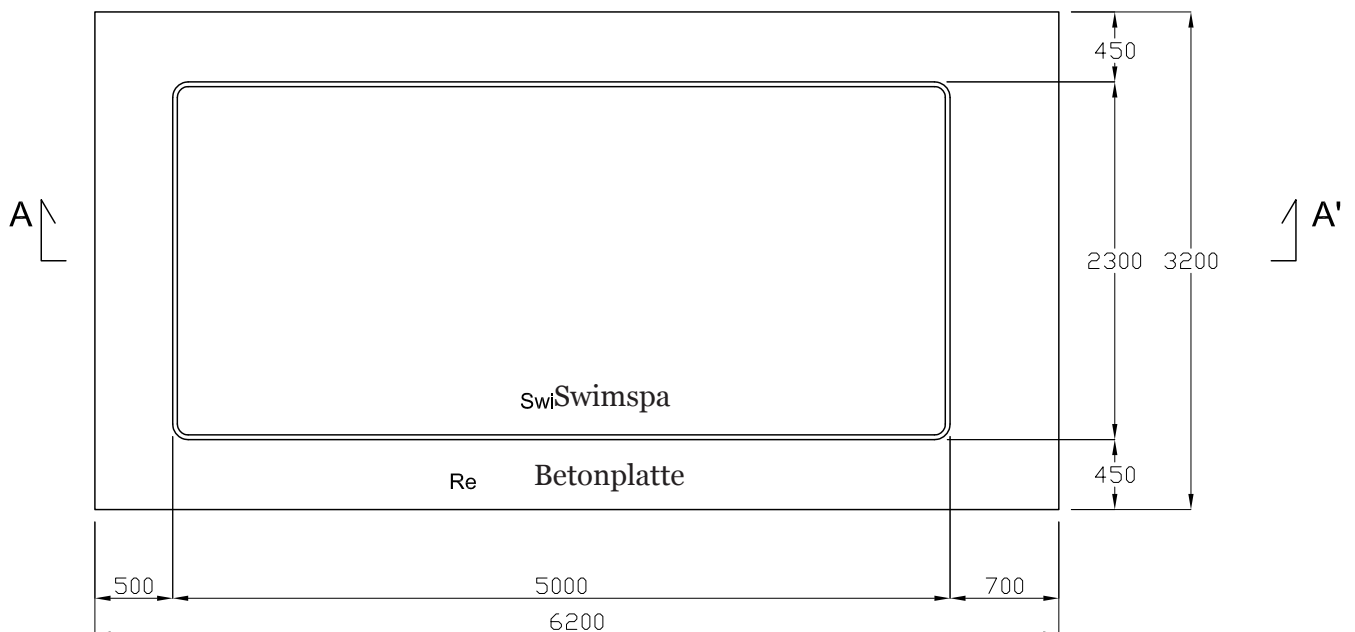
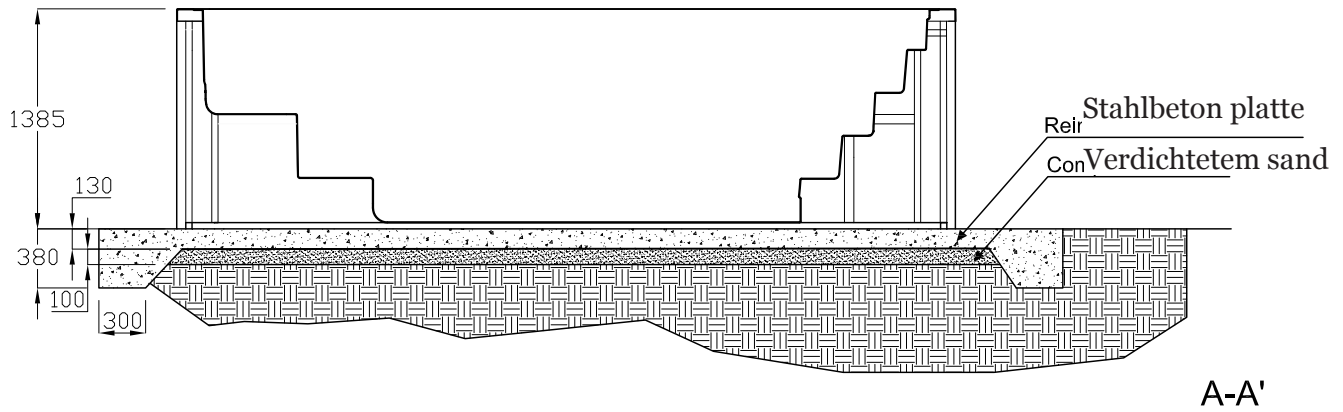
D. Swimspa - Installation

Dimensions & Weight:
See Technical Doc.



Grundstein für Swimspace machen

Abmessungen in mm



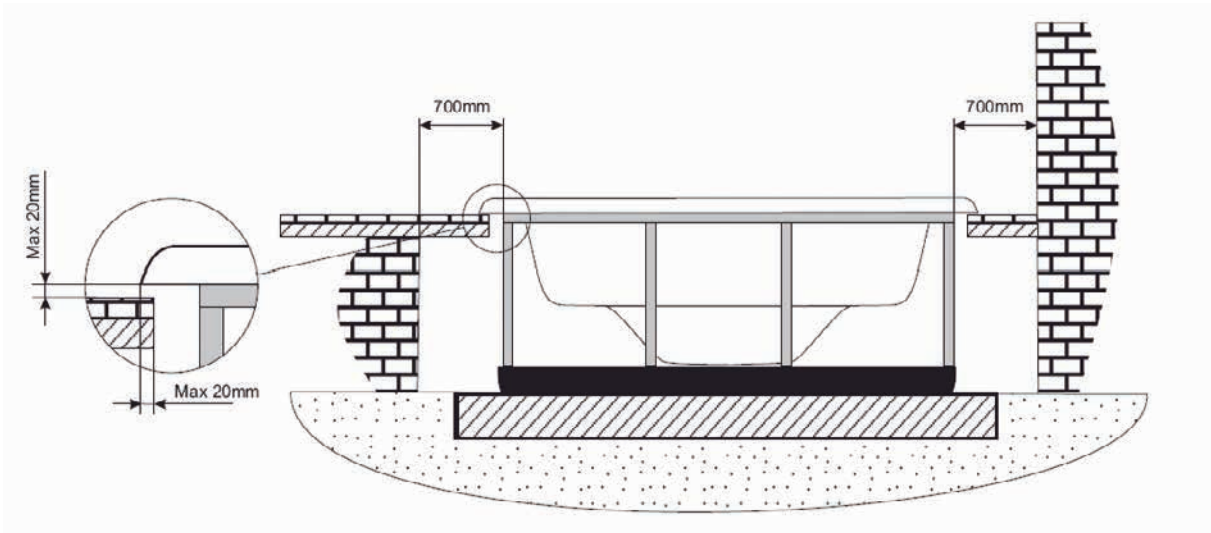
Anmerkungen:

Dies ist eine Zeichnung/ein repräsentatives Beispiel. Für das Design und die Ausführung wird empfohlen, einen Architekten/Ingenieur heranzuziehen, um zu gewährleisten, dass das Gelände die Betonplatte mit dem wassergefüllten Swim Spa inklusive dem Gewicht der Benutzer des Swim Spas, der Möbel und anderen Gegenstände im Auflagebereich tragen kann. Die Haftung für die Anlage muss auch die Einhaltung der örtlichen Vorschriften für Fundamente und/oder Bauten umfassen.

3.6. SPA BEGRABEN INSTALLIEREN

Wenn Sie Version Flur (bereit, in den Boden gesteckt werden) verwenden , müssen Sie die nachfolgenden Anweisungen befolgen .

Sie müssen berücksichtigen , die Kontraktionen und eine mögliche Beschädigung des Gehäuses zu vermeiden, muss die Struktur des Spa auf den Boden nie zu beheben , aber stellen Sie es einfach mit seinem eigenen Gewicht und oprattutto keine Unterstützung für den oberen Umfang der gleiche.



Sobald Spa richtig installiert , beenden Sie die Arbeit mit Fliesen o.ä. unter Berücksichtigung, dass die Kontur des Gehäuses des Spa sollte nie in direkten Kontakt mit dem Mauerwerk sein (Sie müssen mindestens 2 cm lassen um die Kontur).

Sie müssen im Hinterkopf , die Sie haben , um einen genügend grossen Platz im Bereich des Zugangs zu den Pumpen und der Schalttafel , um die Wartung durchführen lassen zu halten. Dieser Raum muss mindestens 0,7 Meter betragen.

Um die Lasche an der Spa bei der Arbeit im Mauerwerk zu befestigen , benutzen Sie ein Silikon Elastico spezielle Wasserinstallationen .



WICHTIG:

Einen Falltür Zugang zum Wellnessbereich für die Wartung.

Nie mit Beton abzudecken

LASSEN 70CM FREIRAUM UM DIE SPA

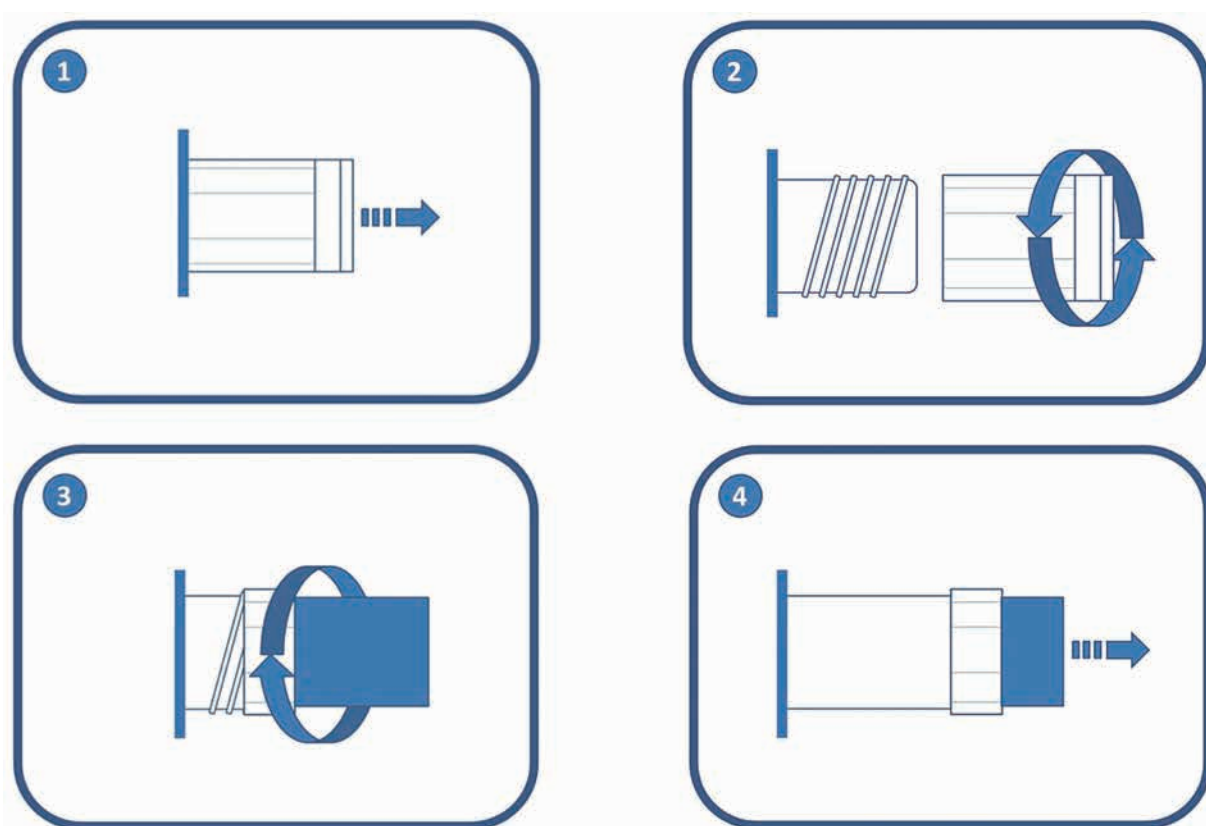
4. WASSERABLAß DES WHIRLPOOLS

Das Wasser im Whirlpool wird manuell über ein Ablassventil (Schwerkraft) abgelassen.

Das Ablassventil muss immer geschlossen sein. Es darf nur geöffnet werden, wenn der Whirlpool entleert werden soll.

Die Abflüsse des Whirlpools sollten an das Abflusssystem des Hauses oder der Wohnung angeschlossen werden.

Das Ventil funktioniert wie folgt:



WICHTIG:

Denken Sie daran, das Leeren des Spa ist nicht vollständig.
Bei längerem Stillstand und vor allem im Winter beseitigen stehendem Wasser auf den Sitzen und in den Boden der Wellnessbereich mit einem Schwamm.
Das restliche Wasser aus den Rohren kann durch die Luft- und Wasserdüsen mit einer Saugpumpe für Flüssigkeiten abgesaugt werden.
Muss auch leer Pumpen durch die Ablassschraube.

5. ELEKTRISCHER ANSCHLUSS



ACHTUNG - SEHR WICHTIG

- Diese Anlage kann nicht mit einem einfachen Stecker angeschlossen werden.
- Für diese Anlage benötigen Sie die geeignete elektrische Installation. Diese muss von einem Fachmann verlegt werden, und die im jeweiligen Land geltenden Sicherheitsvorschriften für elektrische Installationen müssen berücksichtigt werden.
- Die elektrische Speisung des Whirlpools sollte immer durch einen sehr sensiblen Differentialschalter geschützt werden. Es wird ein Differentialschalter mit 30 mA empfohlen.
- Die Erdung ist unbedingt notwendig.
- Benutzen Sie ein Kabel mit einer geeigneten Querschnitt für die Leistung des Whirlpools und den Abstand zum Schaltkasten.
- Bitte beachten Sie stets die Anweisungen im Kapitel: *Sicherheitshinweise* in diesem Handbuch.



ACHTUNG – GEFAHR DER ELEKTRISCHEN ENTLADUNG

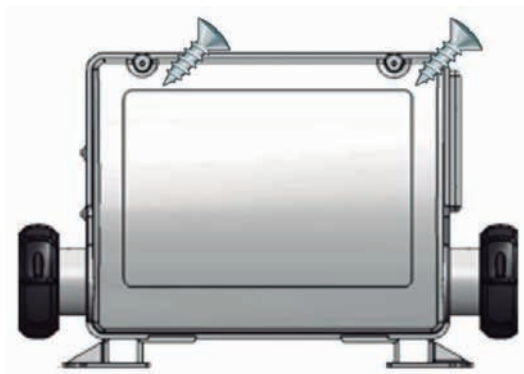
- Bevor jegliche Art von Arbeiten an dem Whirlpool durchgeführt werden, muss der Stromanschluss unterbrochen werden (Differentialschalter in die Position OFF, oder das Netzkabel herausziehen).
- Nur Fachleute oder Instandhaltungstechniker dürfen an den elektrischen Komponenten arbeiten.
- Um an den elektrischen Elementen zu arbeiten, muss man stets die geeignete Personenschutz-ausrüstung und Werkzeuge benutzen.
- Niemals die elektrischen Komponenten mit nassem Körper und vor allem nicht mit nassen Füßen anfassen.
- Die elektrische Ausrüstung (Differentialschalter in der Position ON) darf niemals angeschlossen werden, wenn der Whirlpool leer ist.

So schließen Sie den Whirlpool an:

Um Zugriff auf den Schaltkasten zu haben, das seitliche Paneel des Möbels öffnen, wo sich die elektrischen Komponenten befinden.



Öffnen Sie den Schaltschrank.



Schließen Sie die Schalttafel des Spa mit dem Differential.

Installation des Differentialschalters



Die elektrische Installation muss einen hochsensiblen Differentialschalter mit zwei Polen am Eingang des allgemeinen Stromnetzes besitzen (dieser Differentialschalter wird nicht mit dem Whirlpool geliefert)

**WICHTIG**

Der Eigentümer des Whirlpools muss den Differentialschalter von Zeit zu Zeit überprüfen und ein- und ausschalten, um seine korrekte Funktion zu überprüfen. Diese Operation sollte mindestens einmal im Monat durchgeführt werden.

Überprüfen Sie, ob sich der Differentialschalter in der Position *OFF* (geschlossen) befindet. Stellen Sie den Differentialschalter erst in Position *ON* (offen), wenn der Whirlpool gefüllt ist.

Anschluss des Schaltkastens des Whirlpools an den Differentialschalter

Bevor Arbeiten an dem Whirlpool durchgeführt werden, muss der Stromanschluss unterbrochen werden (Differentialschalter in die Position *OFF*, oder das Netzkabel herausziehen).

Benutzen Sie ein geeignetes Kabel vom Differentialschalter bis zum Schaltschrank des Whirlpools, das sich für den Standort eignet und auch den geltenden, gesetzlichen Vorschriften entspricht. Der Kabelquerschnitt muss je nach Whirlpool-Modell und Abstand der Aufstellung ein anderer sein.

Im anliegenden Datenblatt Technische Daten des Whirlpools erhalten Sie Informationen über die notwendigen kW. Die Höchstlast muss je nach der Konfiguration von "High Amp" oder "Low Amp" ausgelegt werden.

Konfiguration High Amp / Low Amp

Je nach der Whirlpool-Konfiguration kann der Stromverbrauch erheblich variieren, und damit auch die Beanspruchung der elektrischen Installation.

LOW AMP:

Bei dieser Konfiguration wird der Elektrowärmetauscher ausgeschaltet, sobald eine Massagepumpe in Betrieb genommen wird. Damit lässt sich der Stromverbrauch einschränken. Sie ist standardmäßig werkseitig eingestellt.

HIGH AMP:

In dieser Konfiguration können alle Bestandteile des Whirlpools gleichzeitig betrieben werden. Dafür ist eine elektrische Installation erforderlich, die höheren Stromverbrauch zulässt.

DIP SWITCH FUNCTIONS FOR BP SYSTEMS

DIP-Schalter mit festen Funktionen

- A1** Testmodus (in der Regel *OFF*)
- A2** in Position „*ON*“: eine Hochgeschwindigkeitspumpe (oder ein Gebläse) zu Heizgerät hinzufügen.
- A3** in Position „*ON*“: zwei Hochgeschwindigkeitspumpen (oder eine Hochgeschwindigkeitspumpe und ein Gebläse) zu Heizgerät hinzufügen.

- A4** in Position „ON“: vier Hochgeschwindigkeitspumpen (oder drei Hochgeschwindigkeitspumpen und ein Gebläse) zu Heizgerät hinzufügen.
- A5** in Position „ON“: aktiviert die besondere Stromstärkeregel B. Siehe Abschnitt „Sonderfunktionen“ unter „Konfigurationsoptionen“ zur Funktion in Ihrem System. In Position „OFF“ wird die besondere Stromstärkeregel A aktiviert.
- A6** Réinitialisation de la mémoire continue (utilisé lorsque le spa est mis sous tension pour restaurer les réglages d'usine tels que définis par la configuration logicielle).

A2, A3 und A4 arbeiten kombiniert, um die Anzahl der Hochgeschwindigkeitspumpen und Gebläse zu bestimmen, die laufen können, bevor das Heizgerät deaktiviert wird. Beispiel: Bei A2 und A3 in Position „ON“ und A4 in Position „OFF“ kann das Heizgerät zusammen mit bis zu 3 Hochgeschwindigkeitspumpen (bzw. zwei Hochgeschwindigkeitspumpen und einem Gebläse) gleichzeitig betrieben werden. Die Heizung wird deaktiviert, wenn die vierte Hochgeschwindigkeitspumpe bzw. das Gebläse eingeschaltet wird.

Hinweis: **A2/A3/A4** alle aus = keine Heizung zusammen mit Hochgeschwindigkeitspumpe oder Gebläse.

Zuweisbare DIP-Schalter

Bei A7 in Position „ON“ ist eine 5-minütige Abkühlzeit für einige Gasheizgeräte möglich (Abkühlzeit B). In Position „OFF“ ist eine 1-minütige Abkühlzeit für elektrische Heizgeräte möglich (Abkühlzeit A).

Nicht designten Switches ist keine Funktion zugewiesen

WICHTIGER HINWEIS:

In Blatt Elektrische Spezifikationen , auf der letzten Seite des Handbuchs wird sowohl die Leistung von „Low Amp“ als auch von „High Amp“ angegeben. Um den Leitungsquerschnitt der elektrischen Leitungen festzustellen, muss man die Werte in diesem Elektrischen Datenblatt und die folgenden Tabelle berücksichtigen:

Tabelle Querschnitte, Abstand und notwendige Leistung

	notwendige kW										
	2,1	2,5	2,8	3,2	3,5	4,4	5,3	6,2	7,0	7,9	8,8
Abstände	Nennquerschnitt des Kabels in mm ²										
6 - 11 m	2,5	2,5	2,5	2,5	4	4	6	10	10	10	10
11 - 15 m	2,5	2,5	4	4	4	6	6	10	10	10	10
15 - 20 m	4	4	4	6	6	6	10	10	10	16	16

Für größere Abstände muss der Querschnitt des Kabels proportional erhöht werden.

Es kann Konfigurationen geben, für die man eine Leitung mit 32 A, 2 Leitungen mit 16A oder sogar eine dreiphasige Leitung (3 x 16A) für den Strombedarf des Whirlpools installieren muss.

Die Optionen für die Konfiguration des Schaltschranks werden in diesem Montagehandbuch auf den folgenden Seiten aufgeführt.

Die Einrichtung und Veränderungen an der elektrischen Konfiguration muss von geschultem Fachpersonal vorgenommen werden und es müssen die im jeweiligen Land gültigen, rechtlichen Vorschriften berücksichtigt werden.

Der Hersteller übernimmt keine Garantie für Schäden, die durch eine nicht sachgemäße Installation oder durch Arbeiten entstehen, die von nicht qualifiziertem Personal durchgeführt werden.



ACHTUNG

Bitte beachten Sie die Position des Schalters für die Höchstlast.
 Falls Sie ein ungeeignetes Kabel für die Distanz und die Leistung des Whirlpools benutzen, funktioniert dieser nicht korrekt. Es kann zu einer zu starken Erwärmung der elektrischen Leitungen mit dem entsprechenden Unfallrisiko kommen. Benutzen Sie immer ein Kabel mit dem geeigneten Schnitt für die Höchstlast. Falls Sie zwischen zwei Werten zweifeln, nehmen Sie stets das Kabel mit dem größeren Querschnitt.

Um die Speisung vom Schaltschrank bis zum Whirlpool durchzuführen, suchen Sie die Stopfbüchse, die sich auf einer Seite des Schaltschranks befindet.

Stellen Sie sicher, dass kein Strom auf dem Anschlusskabel ist (Differentialschalter auf der Position *OFF*).

Führen Sie das Kabel bis zum Schaltkasten des Whirlpools.

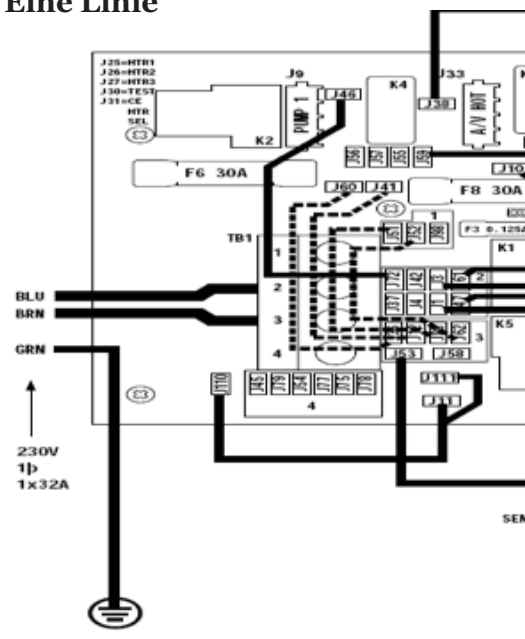
Öffnen Sie die Abdeckung des Schaltkastens, führen Sie das Speisekabel über die freie Seite ein.

Achtung, das blaue Kabel ist neutral und das braune Kabel bedeutet Leitung oder Phase.

Befestigen Sie die Klemmen so, wie dies in den folgenden Abbildungen für das jeweilige Schaltschrankmodell (sehen Sie auf dem Schild des Schaltschranks des Whirlpools nach) und die Art der elektrischen Speisung gezeigt wird. Falls Sie Zweifel über den gelieferten Schaltschrank haben, fragen Sie Ihren Verkäufer oder Fachhandel.

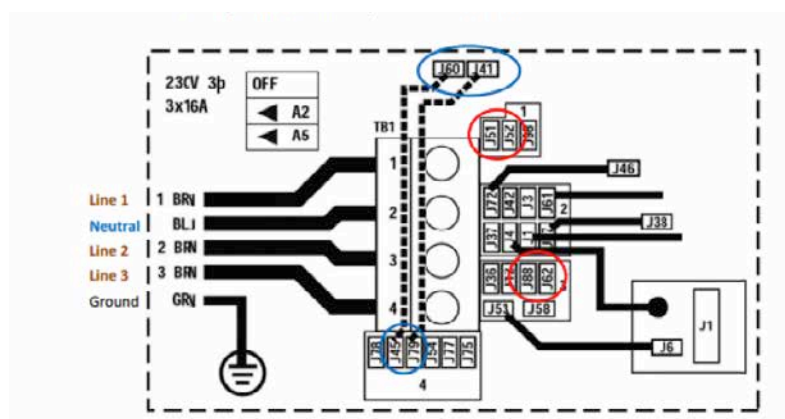
BP SYSTEM



Eine Linie



Wie verbindet man BP2100 Systeme in drei Phasen 400v

Dreiphasenleitung



Brücken entfernen; J51-J88 und J52-J62 
 Ändert diese Brücken
 J60-J36 -> TO J60-J45 
 J41-J12 -> TO J41-J79

Stromversorgung:

3 Services 5 Drähte: Leitung 2, Leitung2, Leitung 3,
 Neutral, Erdung 400 VCA, 50/60Hz*, 3 Phasen, 16A
 (Differentialschutz = 20A max. pro Phasenleitung).

* BP-Systeme erkennen automatisch 50 Hz bzw. 60 Hz

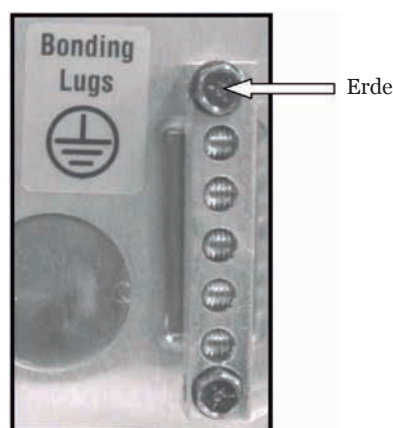


ACHTUNG

Eine korrekte Erdung ist unbedingt notwendig.

Die Erdung des Gebäudes muss sich stets in einem perfekten Zustand befinden, um die Sicherheit des Benutzers des Whirlpools zu garantieren. Falls Sie Zweifel haben, lassen Sie die Erdung von Fachleuten überprüfen. Der Hersteller übernimmt keine Haftung für mögliche Schäden, die durch eine unsachgemäße Instandhaltung der Erdung verursacht werden.

Befestigen Sie das Erdungskabel (gelb und grün) an der Klemme außen am Bedienschrank, so wie dies in der folgenden Abbildung angezeigt wird:



ACHTUNG

Schalten Sie den Strom erst ein (Differentialschalter in Position ON),
 wenn der Whirlpool gefüllt ist.

6. INBETRIEBNAHME



ACHTUNG

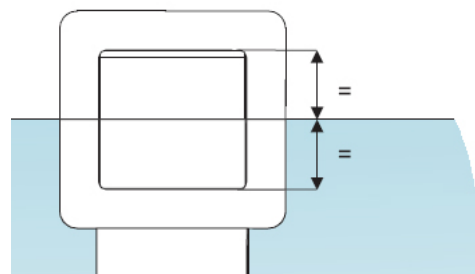
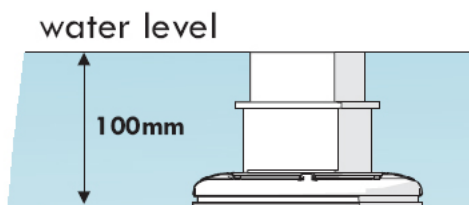
Bevor Sie den Whirlpool einschalten, lesen Sie sich sorgfältig folgende Punkte durch.

6.1. FÜLLEN DES WHIRLPOOLS

Der Whirlpool verfügt über kein spezifisches System zum Auffüllen. Es wird empfohlen, ein manuelles System wie einen Gartenschlauch oder etwas Ähnliches zu benutzen.

Gehen Sie wie folgt vor:

- Bevor Sie den Whirlpool füllen, überprüfen Sie, dass das Abflussventil (siehe Abschnitt Überprüfung des Ablassventils) sich in der Position GESCHLOSSEN befindet.
- Füllen Sie den Whirlpool von oben mit sauberem Wasser bis zu dem Wasserstand.



6.2. BEFÜLLUNG VON WHIRLPOOLS FÜR DEN PRIVATBEREICH MIT ÜBERLAUFRINNE

Es wird empfohlen, ein manuelles Füllsystem mit einem Gartenschlauch o.ä. zu verwenden.

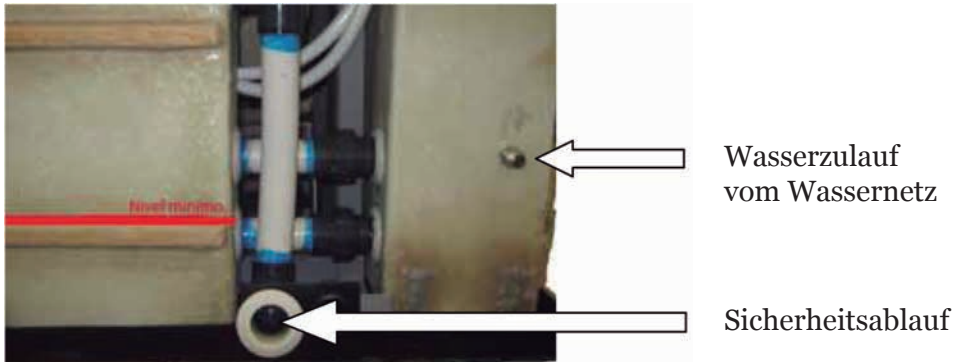
Gehen Sie wie folgt vor:

Suchen Sie vor dem Füllen die Ablaufventile und vergewissern Sie sich, dass sie geschlossen sind. Nur der Sicherheitsablauf bleibt immer geöffnet.

Füllen Sie den Whirlpool von oben mit sauberem Wasser, bis er überzulaufen beginnt.

Füllen Sie die drei Behälter bis zu einem Stand von mindestens 15 cm, damit in die Filterpumpe beim normalen Betrieb keine Luft gelangt.

Schließen Sie einen Wasserzulauf vom Wassernetz an einen Behälterzulauf an.



Der Whirlpool verfügt über ein Befüllungssystem mit Schwimmerschalter. Der Ausgang dieses Schwimmerschalters muss immer bei stetigem Wasserdruck an das Netz angeschlossen sein.

Wenn der Whirlpool durch Verdunstung Wasser verliert, füllt das System die Tanks automatisch wieder auf.

Die Sammelbehälter verfügen über einen Sicherheitsablauf zum Abfließen des Wassers.



ACHTUNG

DIE SAMMELBEHÄLTER DER WHIRLPOOLS FÜR DEN PRIVATBEREICH MIT ÜBERLAUFRINNE HABEN EINE BEGRENZTE KAPAZITÄT.

SIE KÖNNEN 280 LITER WASSER AUFNEHMEN, WAS 4 TEILWEISE IM WASSER EINGETAUCHTEN PERSONEN ENTSpricht.

DIE BENUTZER MÜSSEN DEN WHIRLPOOL NACHEINANDER UND LANGSAM BESTEIGEN, DAMIT DIE BEHÄLTER DAS VERDRÄNGTE WASSER AUFNEHMEN KÖNNEN, UM ZU VERHINDERN, DASS DAS BECKEN ÜBERLÄUFT.



ACHTUNG

Während des Füllens muss vermieden werden, dass Wasser an die elektrischen Komponenten gelangt.

Die Verwendung von Meerwasser im Whirlpool verursacht innerhalb von kurzer Zeit eine allgemeine Verschlechterung der Komponenten des Kreislaufs.

Füllen Sie den Whirlpool nicht mit heißem Wasser. Dadurch könnte das Sicherheitsthermostat ausgelöst und die Geräte und Anschlüsse beschädigt werden.

Sobald der Whirlpool mit Wasser gefüllt ist, schließen Sie die Elektrik mithilfe der Falz am Differentialschalter in Position ON (siehe Absatz Elektrischer Anschluss) an.

Benutzen Sie den Whirlpool nicht, ohne vorher sorgfältig die gesamten, folgenden Informationen durchgelesen zu haben:

- Stellen Sie den pH-Wert des Wassers zwischen 7,2 und 7,6 ein (siehe Absatz Wartung des Wassers).

- Geben Sie notwendigen und empfohlenen Chemikalien in den Whirlpool, die im Absatz Wartung des Wassers (Instandhaltungshandbuch) angegeben sind.
- Stellen Sie die gewünschte Temperatur ein (siehe Absatz Bedientastatur des Whirlpools). Bitte beachten Sie, dass der Whirlpool bei Einfüllen von kaltem Wasser bis zu 24 Stunden brauchen kann, bis die Temperatur von 38°C erreicht wird.
- Bevor Sie den Whirlpool benutzen, überprüfen Sie erneut die pH-Werte, die nach der im vorherigen Punkt beschriebenen Behandlung erreicht wurden.

7. STÖRUNGEN UND BEHEBUNG

Probleme	Gründe	Lösungen
Die Durchflussmenge an gefiltertem Wasser reicht nicht aus.	Das Filter ist durch Schmutz verstopft.	Das Filter auswaschen.
Die Massagepumpe der Jets funktioniert nicht. Nichts funktioniert.	Das Kabel am digitalen Bedienfeld ist nicht an die Platte angeschlossen. Es fehlt elektrische Spannung. Der Differentialschalter ist ausgeschaltet.	Das Kabel an die Platte anschließen. Den Anschluss der Pumpe an den Schaltkasten überprüfen. Den Differentialschalter einschalten.
Die Massagepumpe für Luft <i>Blower</i> funktioniert nicht.	Das Kabel am digitalen Bedienfeld ist nicht an die Platte angeschlossen. Es fehlt elektrische Speisung. Die Pumpe hat sich wegen Überhitzung automatisch ausgeschaltet.	Das Kabel an die Platte anschließen. Den Anschluss der Pumpe an den Schaltkasten überprüfen. Lassen Sie die Pumpe ungefähr 3 Stunden lang abkühlen und starten Sie sie dann erneut.
Es kommt Wasser aus dem <i>Venturi</i> .	Die Jets sind geschlossen. Die Jets sind nicht korrekt installiert. Der äußere Zierdeckel des Jets kann eine Viertelumdrehung gedreht werden, um den Wasserdurchfluss zu vergrößern oder zu verkleinern. Wenn dieser Zierdeckel eine ganze Umdrehung gedreht werden kann, ist er nicht korrekt installiert, und man muss das Jet wieder herausnehmen und korrekt montieren.	Das Jet öffnen. Das Jet herausnehmen: Den Zierdeckel ungefähr 2 cm nach außen drehen. Das Jet abschrauben, indem man es in Gegenuhrzeigersinn dreht. Nach der Demontage das Jet wieder einsetzen und in Uhrzeigersinn drehen. Den Zierdeckel wieder nach innen drücken.
Wenig Luftdurchflussmenge in den Jets.	<i>Venturis</i> geschlossen.	Die <i>Venturis</i> öffnen.
Niedrige Luftdurchflussmenge.	Motorbürste abgenutzt.	Die Pumpe auswechseln.
Das Wasser erreicht die gewünschte Temperatur nicht.	Temperaturfühler defekt. Die programmierte Temperatur überprüfen.	Den Temperaturfühler auswechseln. Die Temperatur einstellen.

Anmerkung: Im Absatz *Fehlermeldung auf dem Betriebsfeld* (Benutzerhandbuch) werden Fehlermeldungen gezeigt, die dazu dienen, mögliche Störungen zu beseitigen.

INDICE

1. DATI GENERALI	92
2. AVVERTENZE DI SICUREZZA	92
2.1. GENERALITÀ	92
2.2. AVVERTENZE NEI LAVORI DI INSTALLAZIONE E MONTAGGIO	93
2.3. AVVERTENZE NEI LAVORI DI MANUTENZIONE	93
3. INSTALLAZIONE E MONTAGGIO	94
3.1. COLLOCAZIONE ED UBICAZIONE DELLA SPA	94
3.2. INSTALLAZIONE ALL'ESTERNO.....	94
3.3. INSTALLAZIONE ALL'INTERNO	95
3.4. SPA PORTATILI LIVELLABILI.....	95
3.5. SWIMSPA – INSTALLAZIONE	96
3.6. COME INSTALLARE UN CENTRO TERMALE SEPOLTO	99
4. SCARICO DELLA SPA	100
5. COLLEGAMENTO ELETTRICO	101
6.MESSA IN FUNZIONE	108
6.1. RIEMPIMENTO DELLA SPA	108
6.2. RIEMPIMENTO DI SPA RESIDENZIALI A SFIORO	108
7. PROBLEMI E SOLUZIONI	110



IMPORTANTE

Il manuale di istruzioni in Vs. possesso contiene informazioni fondamentali relative ai mezzi di sicurezza da adottare al momento dell'installazione e della messa in funzione. Perciò è obbligatorio che sia l'installatore che l'utente leggano le istruzioni prima di passare al montaggio e alla messa in funzione.

1. DATI GENERALI

Questo manuale contiene tutte le informazioni necessarie per poter sfruttare al meglio la Vs. SPA. Vi suggeriamo di dedicare un po' di tempo ai punti che vi elenchiamo di seguito.

Se avete qualche domanda o dubbio sul funzionamento o manutenzione di questo prodotto, siete pregati di contattare l'installatore o distributore della vostra zona. Essi sono professionisti specializzati, le loro conoscenze vi aiuteranno a sfruttare al meglio questo prodotto.

IMPORTANTE: Il produttore, si riserva il diritto di cambiare parte dei disegni o delle specifiche senza alcun preavviso e senza incorrere in nessun obbligo.



ATTENZIONE – IMPORTANTE

- Prima di effettuare qualsiasi lavoro nella SPA, si deve disinserire la corrente elettrica (differenziale in posizione OFF, oppure togliere il cavo elettrico).
- Questo apparecchio non può essere collegato ad una semplice spina.
- Questo apparecchio richiede una installazione elettrica adeguata. Questa dovrà essere effettuata da uno specialista, nel rispetto delle normative elettriche di sicurezza in vigore in ogni paese.
- L'alimentazione elettrica dovrà sempre essere protetta da un differenziale ad alta sensibilità. Si consiglia l'uso di un differenziale da 30 mA.
- E' obbligatorio realizzare il collegamento di messa a terra. Il circuito di messa a terra dell'edificio si deve trovare sempre in perfette condizioni, onde garantire la sicurezza dell'utente della SPA. Nel caso in cui vi siano dei dubbi in proposito, procedere ad effettuare un controllo del circuito di messa a terra da parte di personale debitamente qualificato. Il produttore non assume alcuna responsabilità per eventuali danni provocati da una manutenzione inadeguata del circuito di messa a terra.
- Non collegare l'apparecchiatura elettrica (differenziale in posizione ON) se la SPA è priva di acqua.
- Utilizzare un cavo con una sezione adeguata alla potenza della SPA ed alla distanza dal quadro elettrico.
- Rispettare sempre le indicazioni contenute nel capitolo Avvertimenti di sicurezza di questo manuale.
- Unicamente uno specialista o il responsabile della manutenzione potranno accedere a qualsiasi componente elettrico.
- Non accedere mai agli elementi elettrici con i piedi bagnati.
- Dovrebbe contenere mezzi per scollegare la spa dalla rete come parte della installazione fissa, secondo le norme vigenti.

2. AVVERTENZE DI SICUREZZA

2.1. GENERALITÀ

- Si deve evitare di entrare in contatto con la tensione elettrica.
- Si devono rispettare le normative vigenti per la prevenzione degli incidenti.
- Qualsiasi modifica che si intende effettuare sull'apparecchiatura richiede la previa autorizzazione del produttore. I ricambi originali e gli accessori autorizzati dal produttore servono a garantire una maggiore sicurezza. Il produttore dell'apparecchiatura è sollevato da qualsiasi responsabilità per danni causati da ricambi o accessori non autorizzati.

- Durante il funzionamento alcune parti dell'apparecchiatura sono sottoposte a voltaggi elettrici pericolosi. Il lavoro su ciascun elemento o sulle attrezzature collegate potrà essere effettuato solo dopo averli scollegati dalla rete elettrica di alimentazione e dopo aver scollegato i dispositivi di messa in funzione.
- L'utente deve accertarsi che i lavori di montaggio e manutenzione vengano effettuati da persone qualificate ed autorizzate e che queste abbiano letto precedentemente ed attentamente le istruzioni per l'installazione e l'assistenza.
- La sicurezza nel funzionamento della macchina viene garantita solo in caso di adempimento e rispetto di quanto esposto nelle istruzioni di installazione e di assistenza.
- I valori limite che compaiono nel quadro elettrico non possono in nessun caso essere superati.
- In caso di funzionamento difettoso o di guasto, si prega di contattare il Servizio Assistenza Tecnica del produttore o il rappresentante del produttore a voi più vicino.
- L'installazione della SPA dovrà ottemperare sempre alle norme in vigore che debbano essere applicata in ogni singolo paese. In particolare, a quelle che si riferiscono alla sicurezza elettrica.
- Questo apparecchio corre rischio d'inondazione, per cui deve essere installato in una zona predisposta alla raccolta ed al drenaggio dell'acqua che si potesse versare (sia sotto sia tutt'intorno) per l'uso della SPA o a causa di eventuali fughe in uno qualsiasi dei circuiti. (Vedi la Garanzia).
- L'apparecchio deve essere installato in uno spazio adeguatamente predisposto e di facile accesso per tutti i componenti della SPA. La garanzia non copre eventuali opere di muratura necessarie all'ubicazione od alla sostituzione del prodotto. (Vedi la Garanzia).
- Se si utilizza una copertura che non incorporano elementi e / o di sicurezza per impedire l'accesso non controllato alla spa di ancoraggio, si raccomanda che ogni elemento alternativo (involucro ad esempio il controllo di accesso o recinzione perimetrale ...) è installato per impedire l'accesso o uso improprio della spa.

2.2. AVVERTENZE NEI LAVORI DI INSTALLAZIONE E MONTAGGIO

- Durante il collegamento dei cavi elettrici all'apparecchiatura, fate attenzione alla disposizione all'interno della scatola dei collegamenti, verificare che non rimangano pezzi di cavo all'interno dopo la chiusura e che la messa a terra sia correttamente collegata.
- Bisogna prestare particolare attenzione a che non entri in alcun modo acqua nelle pompe e nelle parti elettriche sotto tensione.

2.3. AVVERTENZE NEI LAVORI DI MANUTENZIONE

- Prima di effettuare qualsiasi intervento di manutenzione elettrica o meccanica, assicurarsi che la macchina sia stata scollegata dalla rete di alimentazione e che i dispositivi di messa in moto siano bloccati.
- Non manipolare l'apparecchiatura con i piedi bagnati.

3. INSTALLAZIONE E MONTAGGIO

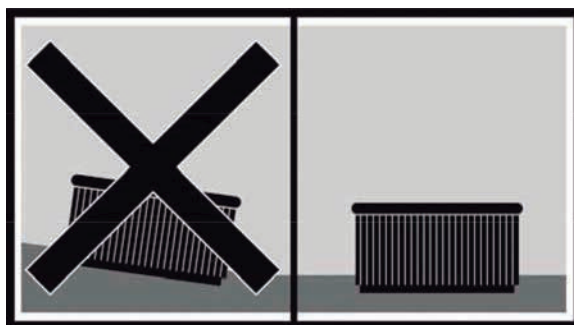
Prima di procedere all'installazione ed al montaggio della SPA, ci si deve assicurare di aver ricevuto l'apparecchiatura in perfette condizioni d'imballaggio. Nel caso in cui l'imballaggio fosse danneggiato, avvisare immediatamente il proprio rivenditore.

3.1. COLLOCAZIONE ED UBICAZIONE DELLA SPA

Posizionare la SPA in posizione orizzontale, appoggiando tutta la base inferiore del mobile su una superficie liscia e piana, in grado di sopportare il suo peso quando è in uso (piena di acqua, più il peso dei bagnanti).

La SPA non può essere montata su una superficie curva o sopra dei blocchi.

Il lato dove si posizionano i motori deve essere sempre completamente accessibile. Allo scopo di effettuare le operazioni di manutenzione, l'ubicazione dello Spa deve permettere di muoverlo per poter accedere comodamente a tutti i suoi lati.



3.2. INSTALLAZIONE ALL'ESTERNO:

Nel caso in cui si scelga una zona all'aperto per l'ubicazione della SPA.

Non lasciare la SPA esposta al sole senza acqua e senza una copertura di protezione. Ricordatevi che una esposizione prolungata al sole può danneggiare il materiale acrilico della SPA e i suoi accessori. L'acrilico assorbe rapidamente il calore dei raggi del sole e può raggiungere temperature molto elevate che lo potrebbero danneggiare. La temperatura massima di assorbimento è di 60° C.

Posizionarlo preferibilmente lontano da zone con alberi, dato che le foglie che cadono dagli alberi possono ostruire il filtro.

Nel caso in cui si posizioni la SPA in zone con vetrate, evitare che i raggi del sole colpiscano la SPA attraverso i vetri perché ciò potrebbe aumentare eccessivamente la temperatura sull'acrilico.

Evitare qualsiasi ubicazione che possa comportare un'entrata di acqua nel compartimento dell'apparecchiatura elettrica, e proteggere il mobile dal contatto diretto con zone molto umide.





Non bisogna lasciare la SPA vuota e senza copertura a temperature ambiente superiori ai 50° C o inferiori a 4° C.

3.3. INSTALLAZIONE ALL'INTERNO

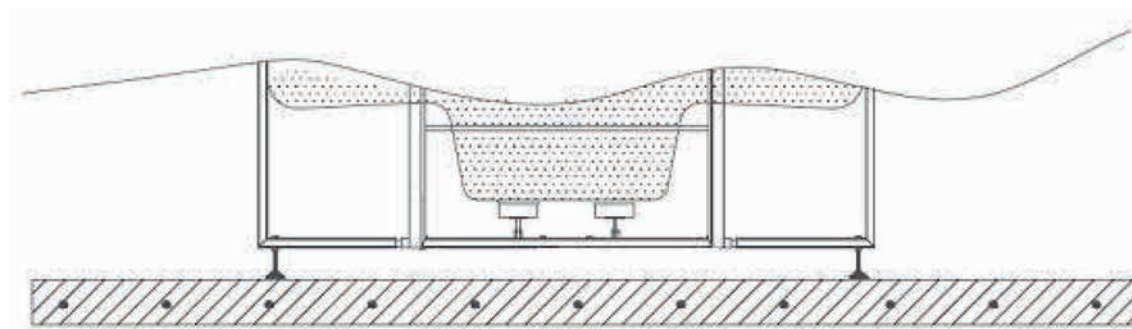
It is recommended to ensure drainage in the area of the Spa, to prevent water from accumulating around it and to avoid dangerous access areas for bathers.

Remember that the operation of the Spa causes increased damp and therefore, there must be a ventilation system to prevent damp from accumulating which could cause damage in the room where the Spa is located.

The use of a cover reduces heat loss and damp in the room.

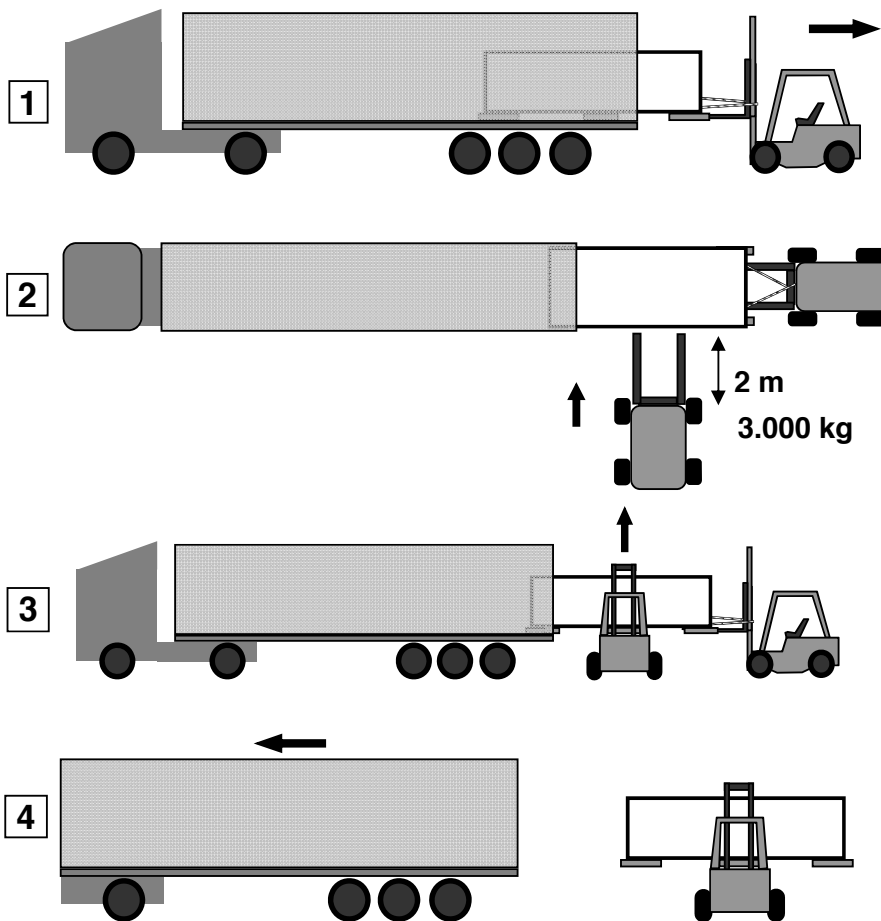
3.4. SPA PORTATILI LIVELLABILI

Alcune spa sono provviste di struttura metallica livellabili per facilitarne l'installazione. Tale struttura presenta vari punti di appoggio. Prima di riempire la vasca è necessario regolare i punti di livellamento di modo che siano tutti in contatto con il pavimento.

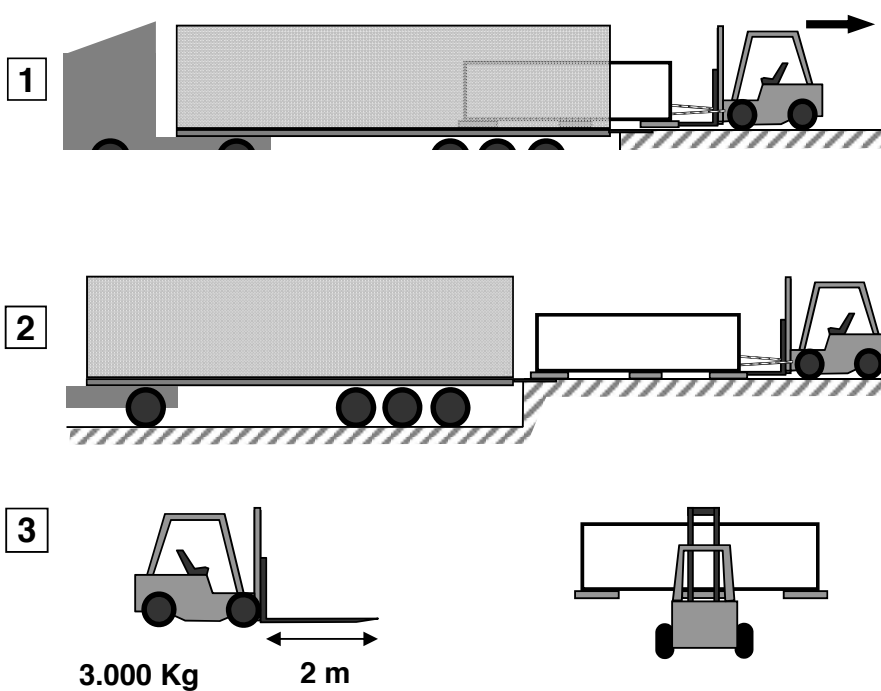


3.5. SWIMSPA - INSTALLAZIONE

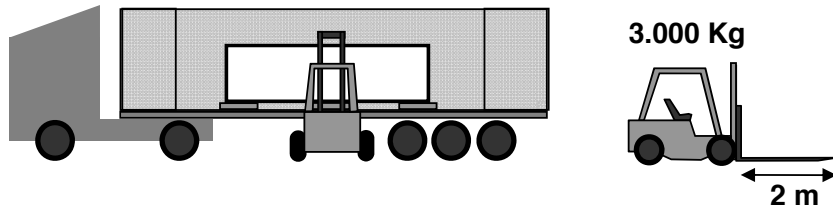
A. Swimspa - Container Download



B. Swimspa - Container Download B

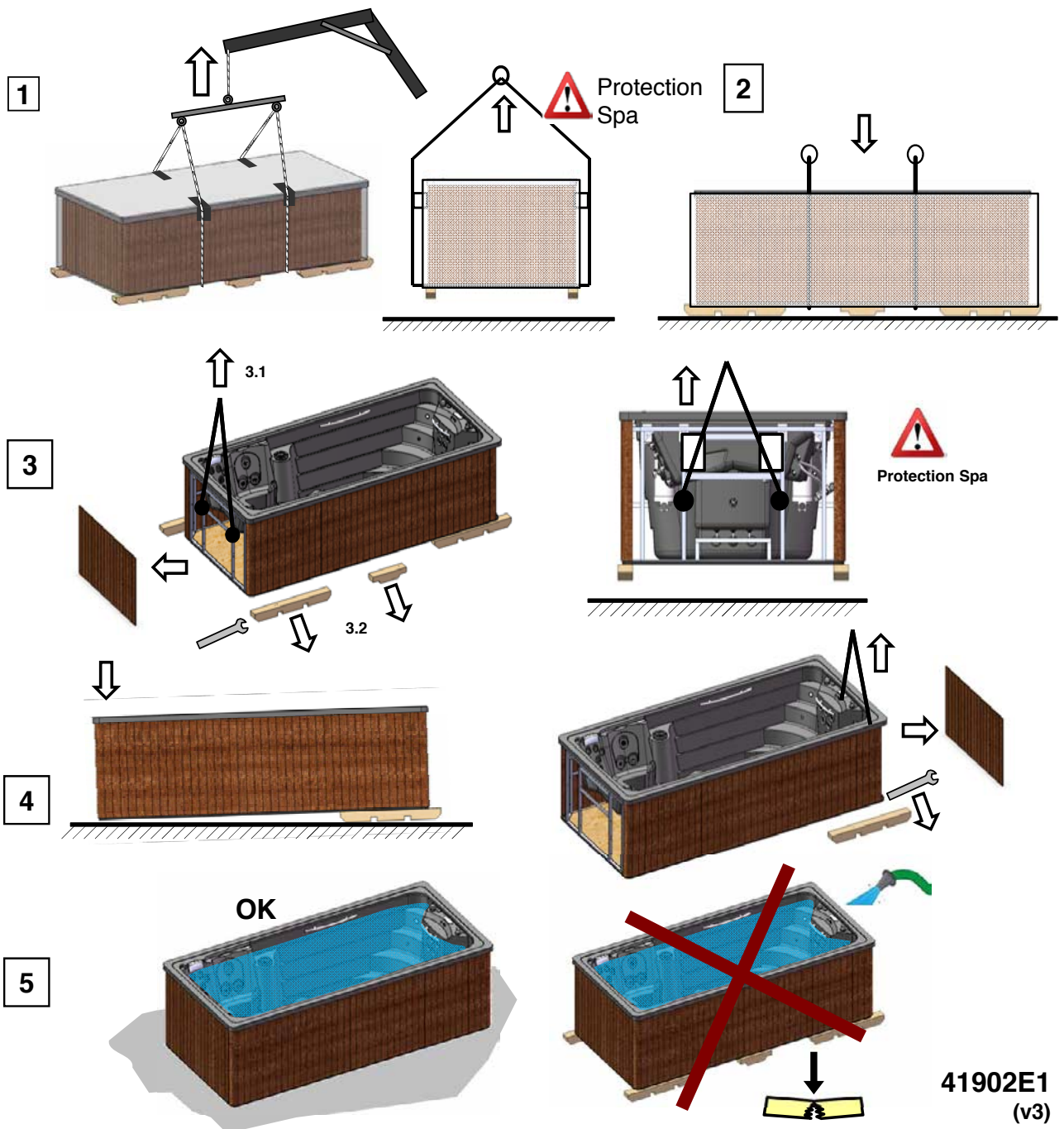


C. Swimspa - Truck Download



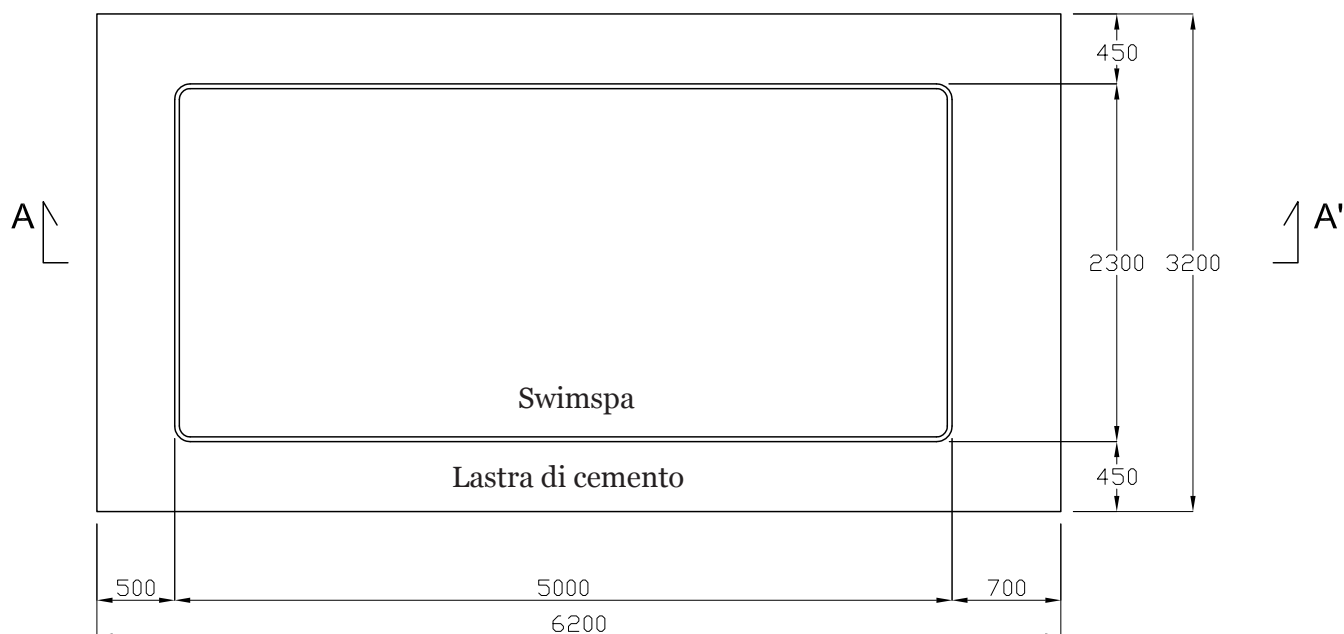
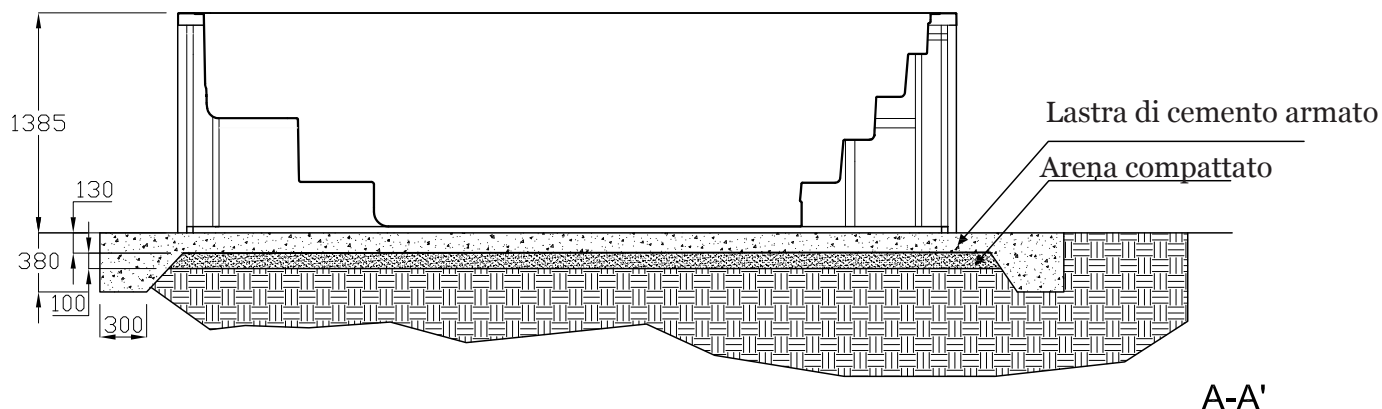
D. Swimspa - Installation

Dimensions & Weight:
See Technical Doc.



Suggerimenti su come rendere la fondazione per SWIMSPA

Dimensioni in mm



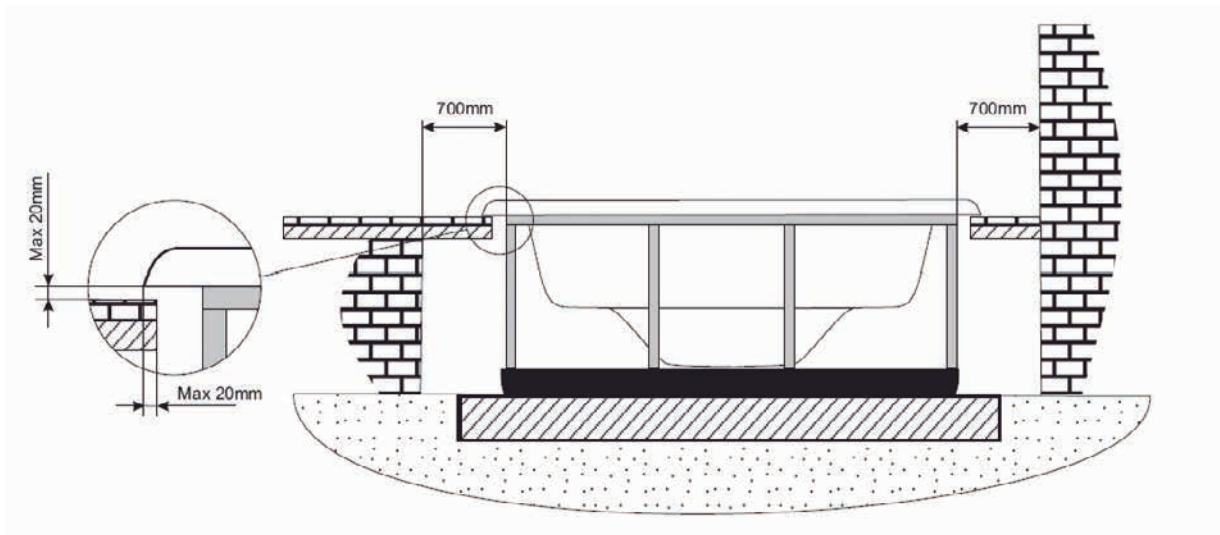
Note:

Questo è un disegno/esempio rappresentativo. Ai fini della realizzazione ed esecuzione del medesimo si raccomanda di rivolgersi a un architetto/ingegnere in modo tale da assicurarsi che il terreno sia in grado di sostenere la soletta in cemento delle fondamenta, il peso della vasca Swim Spa piena d'acqua e quello delle persone che la utilizzano, nonché il carico dei mobili e degli altri articoli eventualmente presenti nella zona di sostegno. Tale responsabilità in merito all'installazione implica anche l'adempimento delle normative locali in materia di fondamenta e/o fabbricati.

3.6. COME INSTALLARE UN CENTRO TERMALE SEPOLTO

Se si utilizza la versione inground (pronta per essere inserita dentro il terreno), si dovranno seguire le istruzioni riportate di seguito.

Si deve tenere in conto che per evitare contrazioni ed eventuali danni all'involucro non si deve mai fissare la struttura dello spa al suolo, bensì semplicemente collocarlo con il suo proprio peso e ooprattutto non sostenerlo dal perimetro superiore dello stesso.



Una volta insediato lo spa in maniera corretta, terminare l'opera con piastrelle o simili tenendo in conto che il contorno dell'involucro dello spa non deve mai stare a contatto diretto con l'opera in muratura (si deve lasciare un minimo di 2 centimetri in tutto il contorno).

È necessario tenere in conto che si dovrà lasciare uno spazio sufficientemente grande nella zona di accesso alle pompe ed al quadro elettrico per poter effettuare le operazioni di manutenzione. Questo spazio dovrà essere di un minimo di 0,7 metri.

Per attaccare la linguetta dello spa all'opera in muratura, utilizzare un silicone elástico speciale per installazioni acquatiche.



IMPORTANTE

Lascia una botola accesso al centro benessere per la manutenzione.
 Non coprire mai con calcestruzzo
LASCIARE UNO SPAZIO LIBERO 70 CENTIMETRI INTORNO ALLA SPA

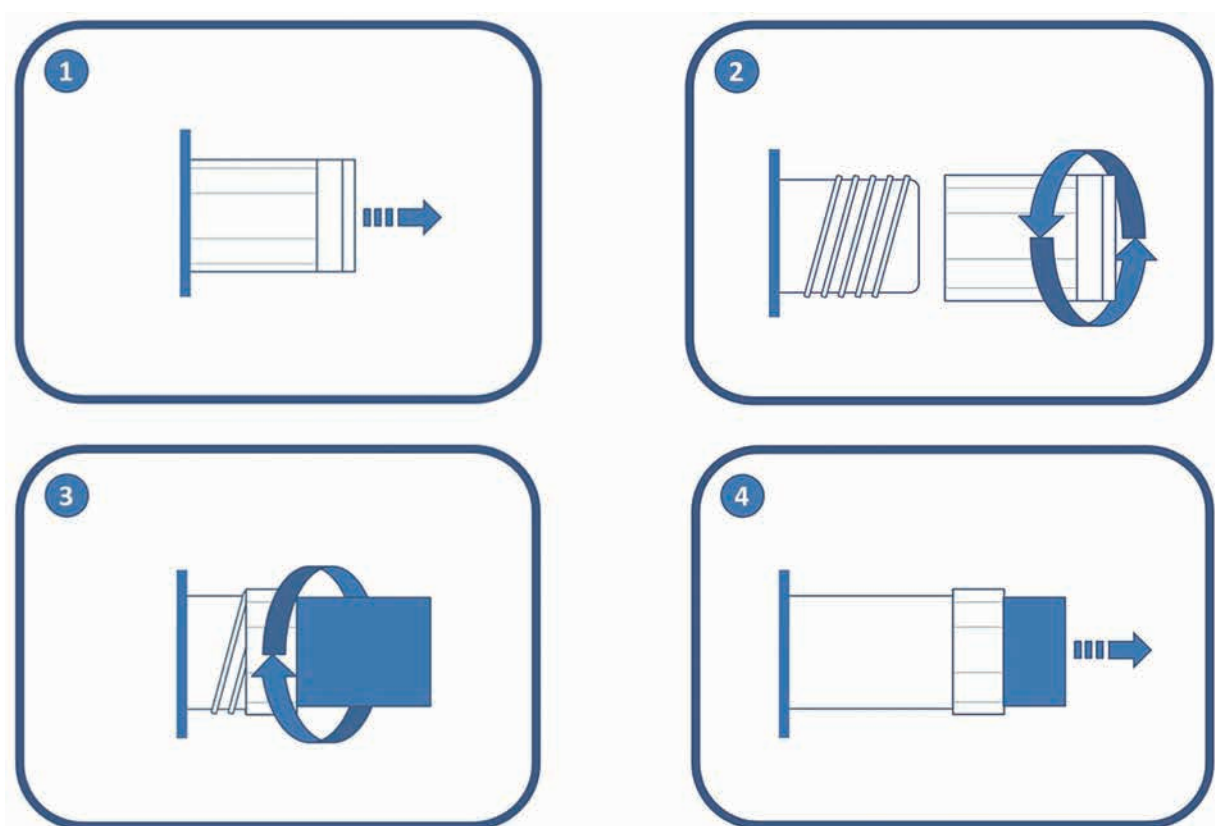
4. SCARICO DELLA SPA

La Spa possiede un sistema di svuotamento manuale, per gravità, attraverso una valvola di scarico de 3/4".

La valvola di scarico deve essere sempre chiusa, sarà aperta solo quando si vuole svuotare la Spa.

Se si ritiene opportuno si può fare un'installazione di scarico per collegare la Spa allo scarico generale del condominio.

Il funzionamento della valvola è il seguente:



IMPORTANTE

Ricordate lo svuotamento del centro benessere non è completa.
Per lunghi periodi di inattività e soprattutto in inverno eliminare l'acqua in piedi sui sedili o sul fondo della vasca con una spugna.

L'acqua residua dai tubi può essere aspirata attraverso gli ugelli aria e acqua con una pompa di aspirazione per liquidi.

Deve anche pompe vuote attraverso il tappo di scarico.

5. COLLEGAMENTO ELETTRICO



ATTENZIONE – MOLTO IMPORTANTE

- Questo apparecchio non può essere collegato ad una semplice spina.
- Questo apparecchio richiede una installazione elettrica adeguata. Questa deve essere effettuata da una persona specializzata, in conformità alle normative elettriche di sicurezza vigenti in ciascun paese.
- L'alimentazione elettrica dovrà sempre essere protetta da un differenziale ad alta sensibilità. Si consiglia l'uso di un differenziale da 30 mA.
- E' obbligatorio realizzare il collegamento di messa a terra.
- Utilizzare un cavo con sezione adeguata alla potenza della SPA e alla distanza dal quadro.
- Adempiere in ogni momento alle indicazioni del capitolo: *Avvertenze di sicurezza* del presente manuale.



ATTENZIONE – RISCHIO DI SCARICA ELETTRICA

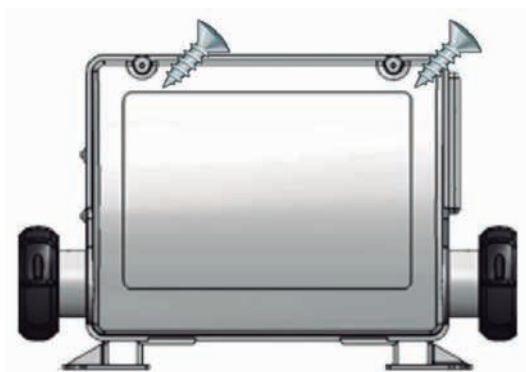
- Prima di effettuare qualsiasi lavoro nella SPA, si deve disinserire la corrente elettrica (differenziale in posizione OFF, oppure togliere il cavo elettrico).
- Unicamente uno specialista o il responsabile della manutenzione potranno accedere a qualsiasi componente elettrico.
- Per manipolare gli elementi elettrici, utilizzare sempre attrezzi di protezione personale adeguati, nonché utensili adeguati.
- Non accedere mai agli elementi elettrici con il corpo bagnato, in particolare con i piedi bagnati
- Non collegare l'apparecchiatura elettrica (differenziale in posizione ON) se la SPA è priva di acqua.

Per collegare la SPA operare nel seguente modo:

Aprire il pannello laterale del mobile che dà accesso ai componenti elettrici.



Aprire il quadro elettrico.



Collegare il quadro elettrico della Spa al differenziale .

Installazione del differenziale



L'installazione elettrica deve comprendere un differenziale ad elevata sensibilità a 2 poli nel quadro generale di entrata della corrente (il differenziale non viene fornito con la SPA).

**IMPORTANTE**

È indispensabile che il proprietario dello Spa provi e ristabilisca l'interruttore differenziale con cadenza periodica onde verificarne il corretto funzionamento. Si consiglia di effettuare questa operazione almeno una volta al mese
Verificare che il differenziale sia in posizione *OFF* (chiuso). Non posizionare il differenziale in posizione *On* (aperto) fino a che la SPA non è piena di acqua.

Prima di realizzare qualsiasi operazione nei riguardi dello Spa, si dovrà sconnettere l'alimentazione elettrica (differenziale in posizione *OFF*, oppure disinserimento del cavo della corrente).

Utilizzare un cavo adeguato in funzione del tipo di locale dove venga installato lo Spa e in base alla legislazione in vigore che debba essere applicata, dal differenziale fino all'armadio elettrico dello Spa. La sezione del cavo dovrà essere diversa, in funzione del modello di Spa e della distanza dell'installazione.

I KW necessari si possono trovare nel foglio allegato con le Specifiche tecniche dello Spa e si dovrà prendere in considerazione il consumo massimo in funzione dell'impostazione "High Amp" o "Low Amp".

Configurazione High Amp / Low Amp.

Il consumo elettrico varia notevolmente a seconda della configurazione della Spa, così come il tipo di installazione, che dovrà quindi essere in grado di far fronte alla richiesta di potenza elettrica.

LOW AMP:

Con questo tipo di configurazione il boiler elettrico viene scollegato quando una pompa per il massaggio si mette in marcia, consentendo un risparmio energetico. Si tratta della configurazione di default di fabbrica.

HIGH AMP:

Un tipo di configurazione che consente a tutti gli elementi della Spa di funzionare contemporaneamente. L'installazione necessaria richiede un maggior consumo di elettricità.

DIP SWITCH FUNCTIONS FOR BP SYSTEMS

Interruttori DIP a funzione fissa

- A1** Modalità di prova (normalmente Off).
- A2** In posizione aperta ("ON") aggiunge una pompa ad alta velocità (o un soffiante) con riscaldatore.
- A3** In posizione aperta ("ON") aggiunge due pompe ad alta velocità (o una pompa ad alta velocità e un soffiante) con riscaldatore.
- A4** In posizione aperta ("ON") aggiunge quattro pompe ad alta velocità (o 3 pompe ad alta velocità e un soffiante) con riscaldatore.

- A5** In posizione aperta (“ON”) attiva la norma di amperaggio speciale B. Per consultarne il funzionamento con il proprio impianto andare alla sezione Caratteristiche speciali di Opzioni di configurazione. In posizione chiusa (“OFF”) attiva la norma di amperaggio speciale A.
- A6** Ripristino della memoria permanente (si utilizza quando la vasca spa si mette in funzione per ripristinare i valori di fabbrica impostati nella configurazione del software).

A2, A3 e A4 agiscono in maniera combinata per determinare il numero di dispositivi ad alta velocità e soffianti che possono funzionare prima che la funzione di calore sia disattivata. Ciò significa che quando A2 e A3 si trovano in posizione “ON” e A4 in posizione “OFF” il riscaldatore funzionerà simultaneamente ad al massimo 3 pompe ad alta velocità (o a due pompe ad alta velocità e un soffiante). La funzione di calore è disattivata quando la quarta pompa ad alta velocità o il soffiante sono accesi.

N.B: Quando A2, A3 e A4 sono tutti spenti (su “OFF”) = niente calore con pompe ad alta velocità o soffianti.

Interruttori DIP assegnabili

Quando A7 è in posizione “ON” si attiva un raffreddamento di 5 minuti per gli stessi riscaldatori a gas (tempo di raffreddamento B), mentre quando è in posizione “OFF” si attiva un raffreddamento di 1 minuto per i riscaldatori elettrici (tempo di raffreddamento A).

Agli interruttori non designati non si assegna alcuna funzione.

NOTA IMPORTANTE:

Nella pagina delle Specifiche Elettriche che è allegata alla fine di questo manuale, si può consultare sia la potenza “Low Amp” sia la potenza “High Amp”. Per determinare la sezione dei conduttori dell’installazione elettrica si devono prendere in considerazione i valori che sono riportati nella suddetta pagina delle Specificazioni Elettriche, congiuntamente alla seguente tabella:

Tabella della relazione delle sezioni, della distanza e della potenza richiesta

	kW richiesti										
	2,1	2,5	2,8	3,2	3,5	4,4	5,3	6,2	7,0	7,9	8,8
Distanze	Sezione nominale del cavo in mm ²										
6 - 11 m	2,5	2,5	2,5	2,5	4	4	6	10	10	10	10
11 - 15 m	2,5	2,5	4	4	4	6	6	10	10	10	10
15 - 20 m	4	4	4	6	6	6	10	10	10	16	16

Per distanze maggiori si renderà necessario aumentare la sezione del cavo in maniera proporzionale.

Vi possono essere delle impostazioni che obblighino ad installare una linea da 32 A, 2 linee da 16 A o addirittura una linea trifase (3 x 16 A) per soddisfare la domanda di potenza dello Spa.

Le opzioni d’impostazione del quadro elettrico sono riportate più avanti in questo Manuale per l’Installazione.

È necessario ricordare che l’installazione e i cambi dell’impostazione elettrica li deve realizzare del personale regolarmente qualificato e sempre nel rispetto della normativa in vigore in ogni paese.

Il fabbricante non assume alcuna responsabilità, in nessun caso, per eventuali danni provocati da un’installazione inadeguata o realizzata da personale non qualificato.



ATTENZIONE

Bisogna sempre tenere in considerazione la posizione dello switch di consumo massimo. Se non si usa il cavo adeguato alla distanza e alla potenza della SPA, questa non funzionerà correttamente; si potrebbe provocare un eccessivo surriscaldamento dei circuiti elettrici con il conseguente rischio di incidente elettrico. Utilizzare sempre il cavo con la sezione adeguata al consumo massimo. In caso di dubbio tra i valori, utilizzare sempre il cavo di maggior spessore.

Per realizzare l'alimentazione del quadro elettrico allo spa, introducete il cavo d'alimentazione elettrica in uno dei fori che sono sul fianco dell'armadio elettrico dello spa.

Assicurarsi che non vi sia corrente elettrica nel cavo di connessione (l'interruttore del differenziale deve stare in posizione *OFF*)

Conducete il cavo fino al quadro elettrico della Spa.

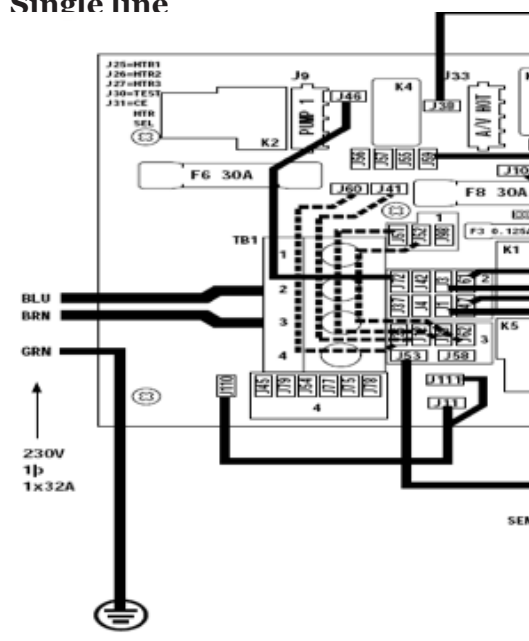
Aprire il coperchio del quadro elettrico, introducete il cavo d'alimentazione attraverso il fianco libero

Attenzione: il cavo indicato in blu è quello neutro, e quello marrone indica la linea o fase.

Fissare i terminali così come indicato nei seguenti schemi in funzione del modello del quadro (consultare l'etichetta del quadro della SPA) e del tipo di alimentazione elettrica. In caso di dubbi sul quadro in dotazione, consultare il proprio rivenditore o il distributore autorizzato.

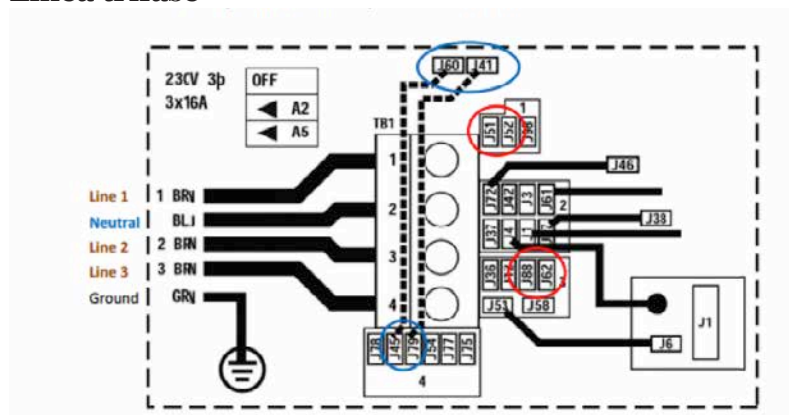
BP SYSTEM



Single line



Come collegare i sistemi BP2100 in tre fasi 400v

Linea trifase



Rimuovi jumper J51-J88 e J52-J62 
 Cambia questi jumper
 J60-J36 -> TO J60-J45 
 J41-J12 -> TO J41-J79

Requisiti di alimentazione:

3 servizi 5 fili: Linea 2, Linea 2, Linea 3, neutro, terra
 400 VCA, 50/60 Hz* Trifase, 16 A (tensione nominale
 del disgiuntore = massimo 20 A per linea di fase).

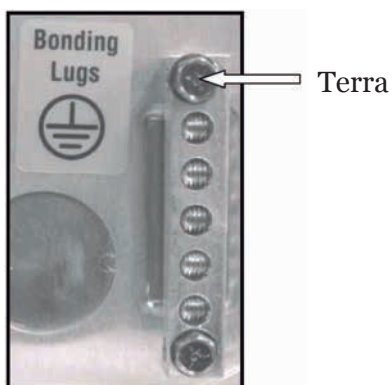
* I sistemi della serie BP rilevano automaticamente la
 differenza tra 50 e 60 Hz.



ATTENZIONE

E' obbligatorio realizzare un corretto collegamento di messa a terra.
 Il circuito di messa a terra dell'edificio si deve trovare sempre in perfette condizioni, onde
 garantire la sicurezza dell'utente della SPA. Nel caso in cui vi siano dei dubbi in proposito,
 procedere ad effettuare un controllo del circuito di messa a terra da parte di personale
 debitamente qualificato. Il produttore non assume alcuna responsabilità per eventuali danni
 provocati da una manutenzione inadeguata del circuito di messa a terra.

Fissare il cavo di messa a terra (giallo e verde) nel terminale esterno del quadro di manovra, così
 come indicato nel seguente schema:



ATTENZIONE

Non collegare l'apparecchiatura elettrica (differenziale in posizione ON) se la SPA è priva di acqua.

6. START-UP



ATTENZIONE

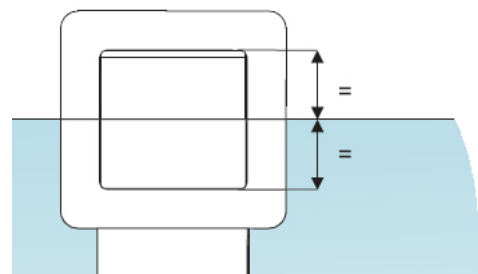
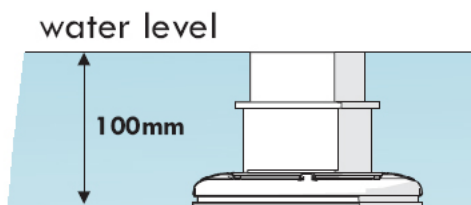
Prima di mettere in funzione la SPA, leggere attentamente i seguenti punti.

6.1. RIEMPIMENTO DELLA SPA

La SPA non dispone di un sistema di riempimento specifico. Si raccomanda di utilizzare un sistema di riempimento manuale con un tubo di gomma da giardino o simile.

Procedere nel seguente modo:

- Prima di iniziare il riempimento della SPA, localizzare la valvola di scarico (vedere sezione Localizzazione della valvola di scarico), ed accertarsi che sia in posizione CHIUSA.
- Riempire la SPA dalla parte superiore, con acqua pulita.



6.2. RIEMPIMENTO DI SPA RESIDENZIALI A SFIORO

Si consiglia un sistema di riempimento manuale, facendo uso di una pompa da giardino o di uno strumento simile.

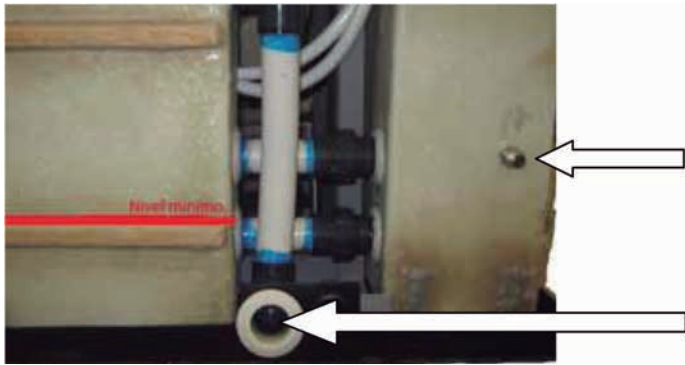
Procedere come segue:

Prima di procedere al riempimento della vasca Spa individuare le valvole di scarico ed assicurarsi che siano chiuse, eccetto lo scarico di sicurezza che rimarrà sempre aperto.

Riempire la vasca Spa con acqua pulita dalla parte superiore, finché l'acqua comincia a traboccare.

Riempire i tre serbatoi fino ad un livello minimo di 15 cm, di modo che non entri aria nella pompa di filtrazione durante il normale funzionamento.

Collegare una presa d'acqua nella rete alla porta di uno dei serbatoi.



Entrata dell'Acqua nella rete

Scarico di Sicurezza

La spa dispone di un sistema di riempimento funzionante tramite un galleggiante di reintegro di livello. L'uscita del galleggiante deve essere collegata alla rete con una pressione d'acqua costante.

Se la vasca perde acqua tramite evaporazione, il sistema riempie le cisterne automaticamente.

I serbatoi di compensazione sono dotati di uno scarico di sicurezza per lo svuotamento.



ATTENZIONE

I SERBATOI DI COMPENSAZIONE DELLE VASCHE SPA RESIDENZIALI A SFIORO HANNO UNA CAPACITÀ LIMITATA. POSSONO CONTENERE 280 LITRI D'ACQUA, L'EQUIVALENTE DI 4 PERSONE PARZIALMENTE IMMERSE. GLI UTENTI DEVONO ENTRARE NELLA VASCA UNO ALLA VOLTA E LENTAMENTE, PER CONSENTIRE AI SERBATOI DI ASSORBIRE L'ACQUA CHE È STATA MOSSA ED EVITARE CHE ESCA DALLA VASCA.



ATTENZIONE

Durante la fase di riempimento si deve evitare l'accesso dell'acqua ai componenti elettrici. L'uso di acqua del mare nella SPA, produce in breve tempo un deterioramento generalizzato di tutti i componenti del circuito.

Non riempire la SPA con acqua calda a più di 50°C, poiché potrebbe imballare il termostato di sicurezza e danneggiare le apparecchiature ed i collegamenti.

Una volta riempita di acqua la SPA, collegare l'apparecchiatura elettrica portando l'interruttore del differenziale in posizione ON (vedere sezione *Collegamento elettrico*).

Non utilizzare la SPA se non si sono lette prima attentamente tutte le informazioni che vengono elencate ai punti seguenti:

- Regolare il pH dell'acqua tra 7,2 e 7,6 (vedere sezione Manutenzione dell'acqua).
- Aggiungere tutti i prodotti chimici necessari e raccomandati alla sezione Manutenzione dell'acqua.
- Selezionare la temperatura voluta (vedere sezione Tastiera dei comandi della SPA). Ricordatevi che la SPA, partendo da acqua fredda, può aver bisogno di 24 ore per raggiungere la temperatura di 38° C.
- Prima di utilizzare la SPA, verificare di nuovo i valori di pH derivati dai trattamenti effettuati al punto precedente.

7. PROBLEMI E SOLUZIONI

Problema	Motivi	Soluzioni
La portata dell'acqua filtrata è insufficiente.	Filtro ostruito da sporcizia.	Effettuare il lavaggio del filtro.
La pompa del massaggio dei jet non funziona. Non funziona.	Il cavo del pannello di controllo digitale è scollegato dalla piastra. Mancanza di alimentazione elettrica. Differenziale scollegato.	Collegare il cavo alla piastra. Verificare il collegamento della pompa al quadro elettrico. Collegare il differenziale.
Non si aziona la pompa di massaggio dell'aria <i>Blower</i> .	Il cavo del pannello di controllo digitale è scollegato dalla piastra. Mancanza di alimentazione elettrica. Per surriscaldamento la pompa si scollega da sola.	Collegare il cavo alla piastra. Verificare il collegamento della pompa al quadro elettrico. Lasciar raffreddare per circa 3 ore e azionare di nuovo la pompa.
Esce acqua dal <i>Venturi</i> .	Jet chiusi. Jet installati male: il coperchietto esterno del getto ha un movimento di un quarto di giro per aprire e chiudere il passaggio dell'acqua. Se questo coperchietto fa un giro completo, non è ben installato e si dovrà togliere il getto e riposizionarlo correttamente.	Aprire il getto. Estrarre il jet: estrarre il coperchietto di 2 cm. circa. Svitare il jet girando in senso antiorario. Una volta smontato riposizionare il jet, avvitando in senso orario. Spingere in dentro il coperchietto esterno.
Poca portata di aria nei jet.	<i>Venturi</i> chiusi o ostruiti.	Aprire i <i>Venturi</i> .
Poca portata di aria.	Spazzole del motore guaste.	Cambiare la pompa.
L'acqua non raggiunge la temperatura desiderata.	Sonda deteriorata. Verificare la temperatura programmata.	Cambiare la sonda della temperatura. Impostare la temperatura.

Note: nella sezione 1.7 *Messaggio di diagnostica del pannello di controllo (Manuale di uso)*, vengono riportati i messaggi di diagnostica per risolvere i possibili guasti.

MAX	1 LED LIGHT	3 LED LIGHT	5 LED LIGHT	5 LED LIGHT + LED FEATURES	5 LED LIGHT + LED FEATURES + LIGHTING CABINET	AUDIO SYSTEM	OZONE GENERATOR TG-109	TOTAL OPTIONS (kW)	GROUP C2			GROUP C3			GROUP C4			GROUP D			GROUP E			GROUP F			GROUP F1												
									HEATER			HEATER			HEATER			HEATER			HEATER			HEATER			HEATER			HEATER			HEATER						
									HI AMP	LOW AMP	3.00	HI AMP	LOW AMP	3.00	HI AMP	LOW AMP	3.00	HI AMP	LOW AMP	3.00	HI AMP	LOW AMP	3.00	HI AMP	LOW AMP	3.00	HI AMP	LOW AMP	3.00	HI AMP	LOW AMP	3.00	HI AMP	LOW AMP	3.00	HI AMP	LOW AMP	3.00	
20	4.8	7.6	13.2	19.6	32.0	5.4	32.0		7.4	32.2	4.4	19.1	8.2	35.7	5.2	22.6	8.7	37.8	5.7	24.8	5.8	25.2	3.6	15.7	7.0	30.4	4.0	17.4	10.0	43.5	7.0	30.4	8.8	38.3	5.8	25.2			

ÍNDICE

1. DADOS GERAIS	114
2. ADVERTÊNCIAS DE SEGURANÇA	114
2.1. GENERALIDADES.....	114
2.2. ADVERTÊNCIAS PARA A INSTALAÇÃO E MONTAGEM	115
2.3. ADVERTÊNCIAS PARA AS OPERAÇÕES DE MANUTENÇÃO	115
3. INSTALAÇÃO E MONTAGEM	116
3.1. LOCAL DE INSTALAÇÃO DO SPA	116
3.2. INSTALAÇÃO EM EXTERIORES	116
3.3. INSTALAÇÃO EM INTERIORES	117
3.4. SPAS PORTÁTEIS NIVELÁVEIS	117
3.5. SWIMSPA – INSTALAÇÃO	118
3.6. COMO INSTALAR UM SPA ENTERRADO	121
4. ESVAZIAMENTO DO SPA	122
5. LIGAÇÃO ELÉCTRICA	123
6. COLOCAÇÃO EM FUNCIONAMENTO	130
6.1. ENCHIMENTO DO SPA	130
6.2. ENCHIMENTO DE SPAS TRANSBORDANTES PRIVATIVOS	130
7. AVARIAS E SOLUÇÕES	132



IMPORTANTE

Este manual de instruções fundamentais sobre as medidas de segurança que devem ser tomadas ao realizar a instalação e a colocação em serviço. Por isso, é imprescindível que tanto o Instalador como o Utilizador leiam as instruções antes de efectuar a montagem e a colocação em funcionamento

1. DADOS GERAIS

Este manual contém toda a informação necessária para que possa desfrutar plenamente do seu SPA. Sugerimos que dedique algum tempo à leitura dos pontos que descrevemos abaixo.

Se surgir alguma pergunta ou dúvida sobre o funcionamento ou manutenção deste produto, contacte com o instalador ou distribuidor da sua zona. Eles são profissionais especializados com conhecimentos que o ajudarão a desfrutar deste produto.

IMPORTANTE: O fabricante reserva-se o direito de modificar parte dos desenhos ou especificações sem aviso prévio e sem estar sujeito a nenhuma obrigação.



ATENÇÃO - IMPORTANTE

- Antes de realizar qualquer trabalho no Spa, deve-se desligar a alimentação eléctrica (diferencial na posição *OFF*, ou desligar o cabo da tomada).
- Este equipamento não pode ser ligado a uma tomada comum.
- Este equipamento exige uma instalação eléctrica adequada, que deve ser realizada por uma pessoa especializada, de acordo com as normas eléctricas de segurança em vigor em cada país.
- A alimentação eléctrica do Spa deve estar sempre protegida por um diferencial de alta sensibilidade. Recomenda-se um diferencial de 30 mA.
- É imprescindível realizar a ligação à tomada de terra. O circuito de ligação à terra do edifício deve estar sempre em perfeitas condições para garantir a segurança do utilizador do Spa. Se tiver alguma dúvida a esse respeito, mande revisar o circuito de ligação à terra por pessoal devidamente qualificado. O fabricante não se responsabiliza pelos possíveis danos ou prejuízos resultantes de uma manutenção inadequada do circuito de ligação à terra.
- Não ligue o equipamento eléctrico (diferencial na posição *ON*) quando o Spa estiver sem água.
- Utilize um cabo da secção adequada à potência do Spa e à distância do quadro.
- Respeite sempre as indicações do capítulo: Advertências de Segurança deste manual.
- Não tente manipular nenhum componente eléctrico, se não é uma pessoa tecnicamente qualificada ou o Responsável da Manutenção.
- Não manipule os elementos eléctricos com os pés molhados.
- Ele deve incorporar meios para desligar o spa da rede como parte da instalação fixa, conforme regulamentação em vigor.

2. ADVERTÊNCIAS DE SEGURANÇA

2.1. GENERALIDADES

- Evite entrar em contacto com a tensão eléctrica.
- Respeite as normas vigentes para a prevenção de acidentes.
- Qualquer modificação que se pretenda efectuar no equipamento exige a autorização prévia do fabricante. As peças sobresselentes e os acessórios autorizados pelo fabricante servem para garantir uma maior segurança. O fabricante do equipamento fica isento de qualquer responsabilidade pelos danos produzidos por peças ou acessórios não autorizados.

- Durante o funcionamento, algumas partes do equipamento estão submetidas a voltagens eléctricas perigosas. O trabalho sobre cada elemento ou nos equipamentos ligados a eles só poderá ser efectuado depois de desligá-los da rede eléctrica de alimentação e depois de ter desligado os dispositivos de arranque.
- Utilizador deve certificar-se de que os trabalhos de montagem e manutenção são realizados por pessoas qualificadas e autorizadas, e de que elas tenham lido previamente e com atenção as instruções de instalação e serviço.
- A segurança no funcionamento da máquina só é garantida com o cumprimento e respeito do exposto nas instruções de instalação e serviço.
- Os valores-limite que aparecem no quadro eléctrico não devem ser ultrapassados em nenhuma hipótese.
- Em caso de funcionamento defeituoso ou avaria, dirija-se ao Serviço de Assistência Técnica do fabricante ou ao representante mais próximo.
- A instalação do Spa deverá obedecer sempre as normas em vigor aplicáveis em cada país. Em especial, as relativas à segurança eléctrica.
- Este equipamento apresenta risco de inundação. Deve ser instalado numa zona preparada para recolher e drenar toda a água que possa ser derramada (tanto por baixo como à volta) durante o uso do Spa ou devido a possíveis fugas em qualquer dos circuitos. (Ver Garantia)
- Equipamento deve ser instalado num espaço devidamente preparado e de fácil acesso a todos os componentes do Spa. A garantia não cobrirá os trabalhos de pedreiro necessários para a instalação ou substituição do produto. (Ver Garantia)
- Se estiver usando uma capa que não incorpora elementos de ancoragem e / ou de segurança para impedir o acesso descontrolado ao spa, recomenda-se que qualquer elemento alternativo (por exemplo, gabinete de controle de acesso ou cerca de perímetro ...) é instalado para impedir o acesso ou mau uso do spa.

2.2. ADVERTÊNCIAS PARA A INSTALAÇÃO E MONTAGEM

- Durante a ligação dos cabos eléctricos ao equipamento, observe a disposição no interior da caixa de ligações, verifique que não hajam pedaços de cabo no seu interior depois de fechada e que o fio de terra esteja ligado correctamente.
- Deve-se ter um especial cuidado em que não entre água, em nenhuma hipótese, nas bombas e nas partes eléctricas em tensão.

2.3. ADVERTÊNCIAS PARA AS OPERAÇÕES DE MANUTENÇÃO

- Antes de realizar qualquer operação de manutenção eléctrica ou mecânica, assegure-se de que a máquina está desligada da rede de alimentação e que os dispositivos de funcionamento estão bloqueados.
- Não manipule o equipamento com os pés molhados.

3. INSTALAÇÃO E MONTAGEM

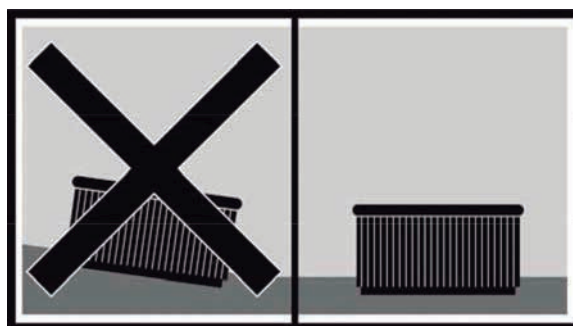
Antes de proceder à instalação e à montagem do Spa, deve assegurar-se de ter recebido o Spa em perfeitas condições de embalagem. Se a embalagem apresentar danos, avise imediatamente o distribuidor.

3.1. LOCAL DE INSTALAÇÃO DO SPA

Coloque o Spa na posição horizontal, apoiando toda a base inferior do móvel sobre uma superfície lisa e plana, capaz de suportar o seu peso em funcionamento (cheio de água, mais o peso dos banhistas).

O Spa não pode ser montado sobre uma superfície curva ou em cima de blocos.

Evite instalar o Spa em lugares que possibilitem a entrada de água no compartimento do equipamento eléctrico e proteja o móvel do contacto directo com zonas muito húmidas. O lado onde os motores estão situados deve ser sempre totalmente acessível. A fim de possibilitar a execução dos trabalhos de manutenção. O lugar de instalação do Spa deve permitir movê-lo para aceder comodamente a todos os seus lados.



3.2. INSTALAÇÃO EM EXTERIORES

Se optar por instalar o Spa no exterior:

- Não deixe o Spa exposto ao sol sem água e sem uma cobertura de protecção. Lembre-se de que uma exposição prolongada ao sol pode danificar a superfície do Spa e também os seus acessórios. O acrílico absorve rapidamente o calor dos raios solares podendo alcançar temperaturas muito altas que deteriorarão o Spa. A Temperatura máxima de absorção é de 60 °C.
- Situe o Spa de preferência longe de zonas arborizadas, uma vez que as folhas que caem das árvores podem obstruir o filtro.
- Em caso de instalar o Spa em zonas envidraçadas, evite que os raios solares incidam sobre Spa através dos vidros, já que isso pode aumentar excessivamente a temperatura.
- Evite instalar o Spa em lugares que possibilitem a entrada de água no compartimento do equipamento eléctrico e proteja o móvel do contacto directo com zonas muito húmidas.





Não deixe o Spa sem água e descoberto quando a temperatura ambiente for superior a 20 °C ou inferior a 4 °C.

3.3. INSTALAÇÃO EM INTERIORES

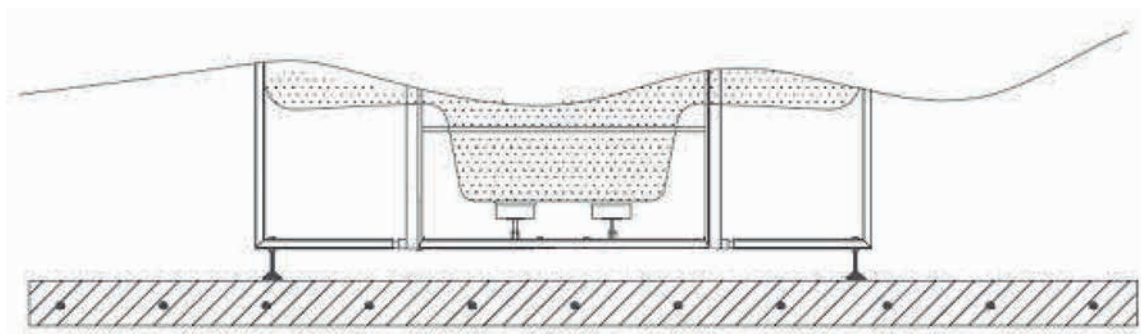
É recomendável prever uma saída de água na zona do Spa, para impedir a acumulação de água ao seu redor, evitando assim zonas de acesso perigosas para os banhistas.

Não esqueça que o funcionamento do Spa produz um aumento da humidade local, portanto, deverá prever algum sistema de ventilação para evitar a acumulação de humidade que pode deteriorar os elementos do local.

O uso da cobertura reduz a perda de calor e a humidade do recinto.

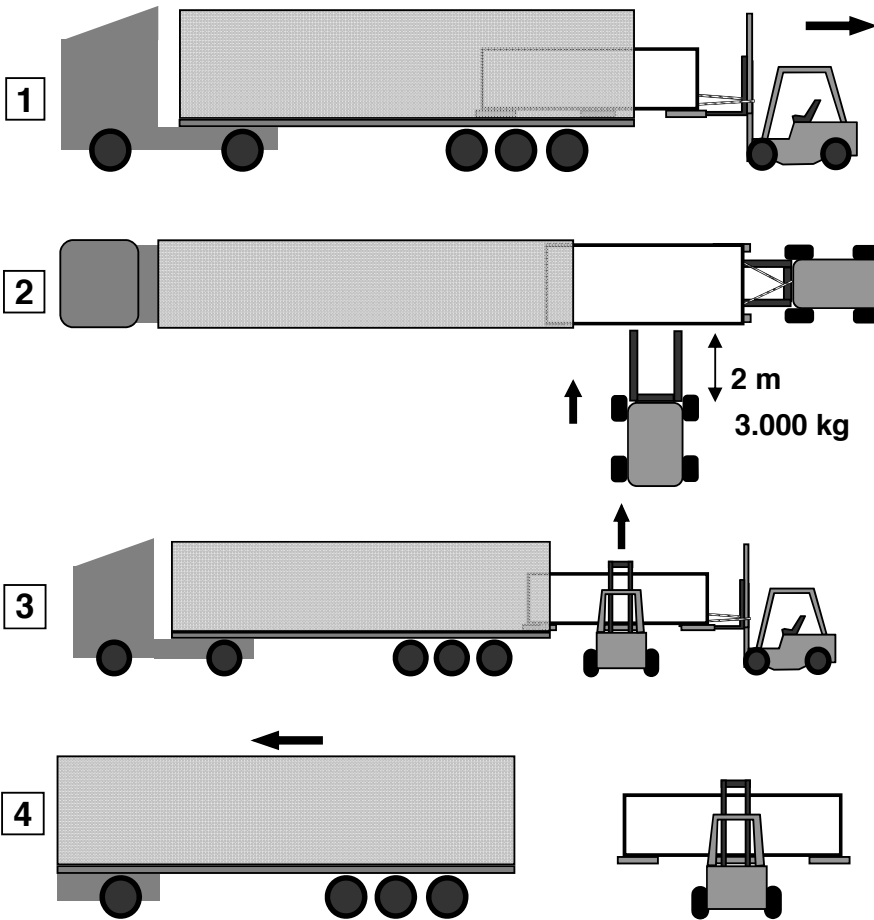
3.4. SPAS PORTÁTEIS NIVELÁVEIS

Alguns Spas são fornecidos com uma estrutura metálica niveláveis para facilitar a sua instalação. Esta estrutura tem vários pontos de apoio. Antes de encher o Spa, estes pontos de nivelamento devem ser ajustados por forma a que todos fiquem em contacto com o pavimento.

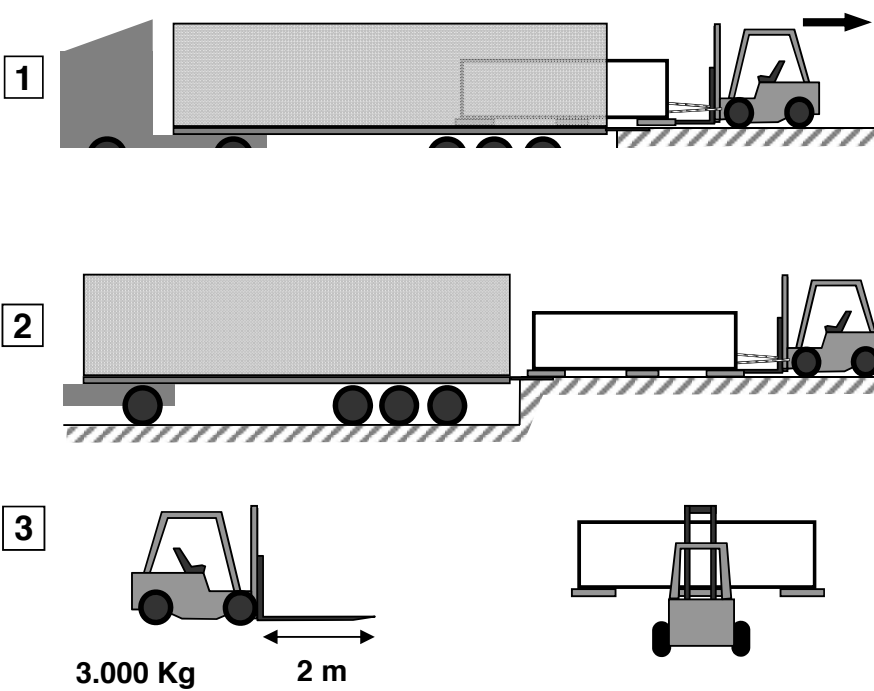


3.5. SWIMSPA – INSTALAÇÃO

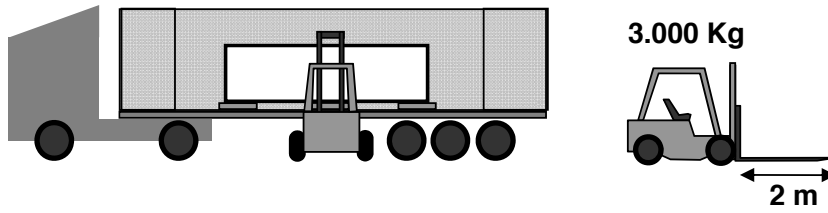
A. Swimspa - Container Download



B. Swimspa - Container Download B

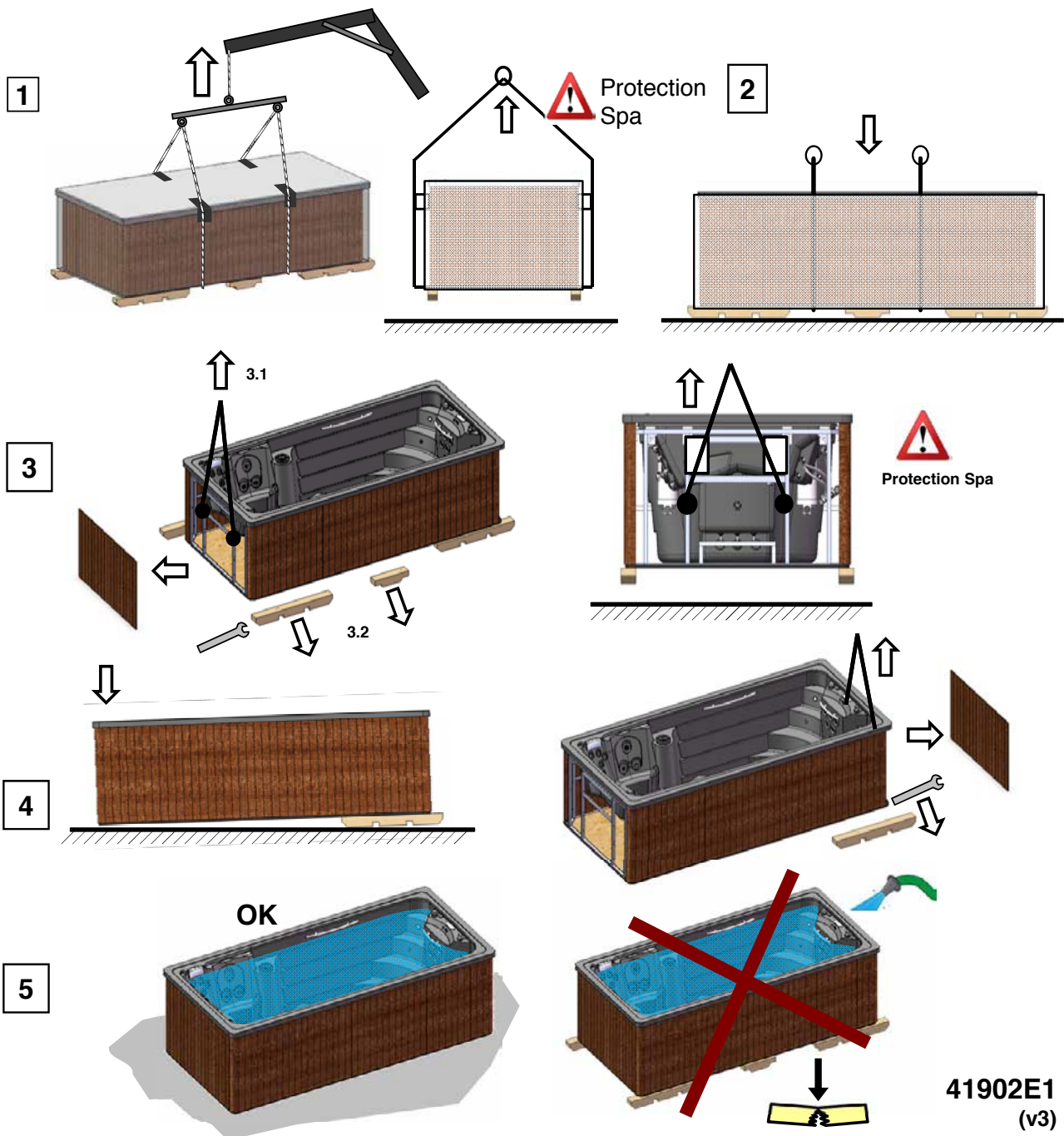


C. Swimspa - Truck Download



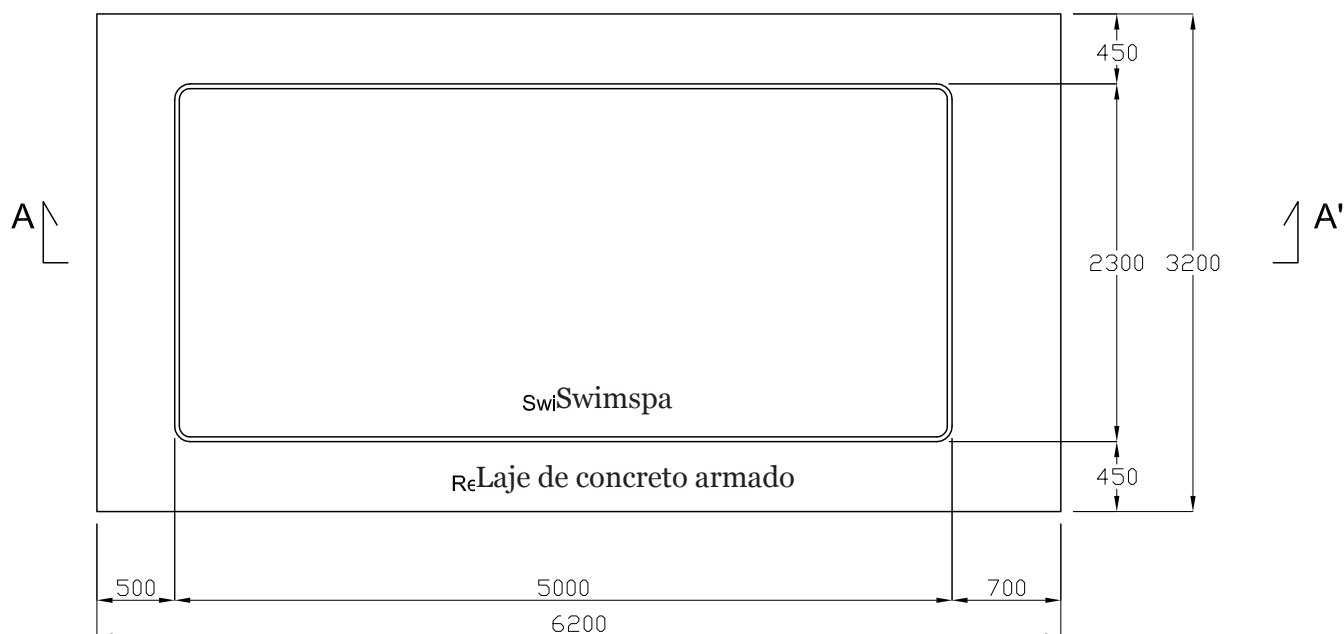
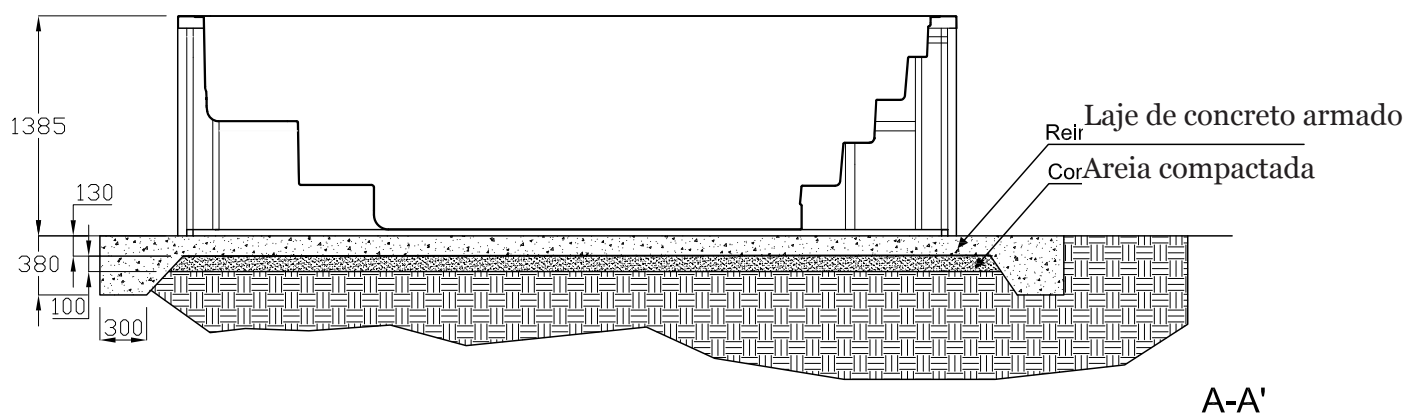
D. Swimspa - Installation

Dimensions & Weight:
See Technical Doc.



Dicas sobre como fazer da fundação para Swimspa

Dimensões em mm

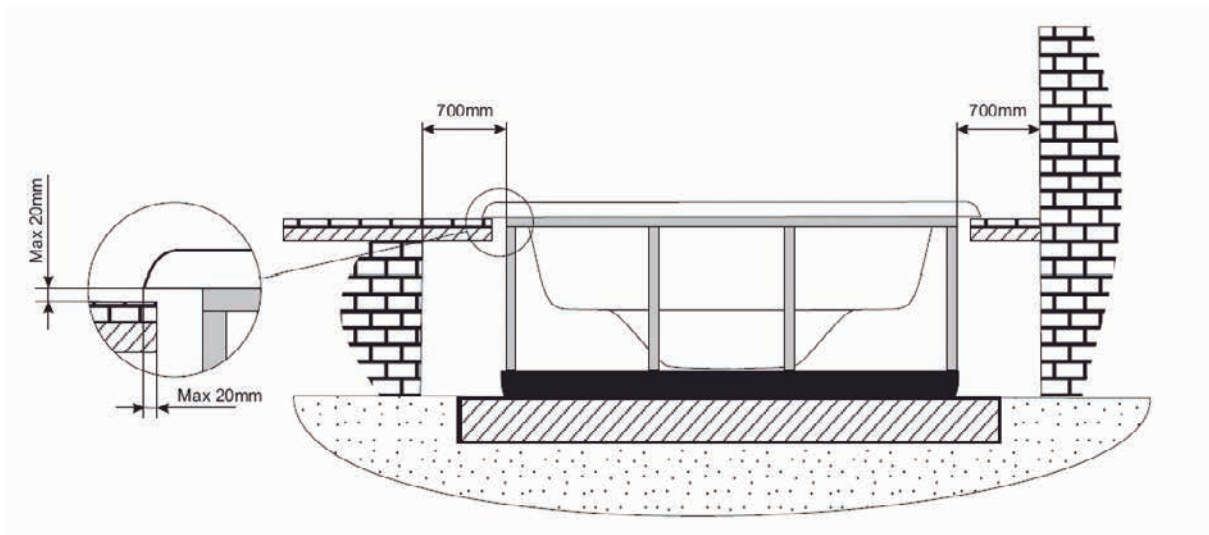


Notas:

Este é um desenho/exemplo representativo. Para realizar o design e a execução, recomenda se consultar um arquiteto/engenheiro, com o fim de garantir que o terreno aguente a laje de fundação de betão com o Swimspa cheio de água, incluindo o peso das pessoas que utilizarem o Swimspa e os móveis ou outros artigos que estiverem na área de suporte. Durante a instalação deverão ser respeitadas todas as normas locais relativas a fundações e/ou construções.

3.6. COMO INSTALAR UM SPA ENTERRADO

Deve ter em conta que, para evitar contracções e possíveis danos na bacia, a estrutura do Spa não deve ser nunca fixada ao solo. Simplesmente assente o Spa pelo seu próprio peso e sobretudo não o apoie pelo perímetro superior.



Depois de assentar o Spa correctamente, termine a obra com azulejos ou similar, tendo em conta que o contorno da bacia do Spa não deve estar em contacto directo com a obra (deve-se deixar no mínimo 2 centímetros em todo o contorno).

Tenha em conta que deverá deixar um espaço suficientemente amplo na zona de acesso às bombas e ao quadro eléctrico para poder realizar a manutenção. Este espaço deverá ser de no mínimo 0,5 metros.

Para selar a aba do Spa à obra, utilize silicone elástico especial para instalações aquáticas.



IMPORTANTE

Deixe um alçapão acesso ao spa para manutenção.
Nunca cubra com concreto
DEIXE UMA DISTÂNCIA 70 CENTÍMETROS AO REDOR DO SPA

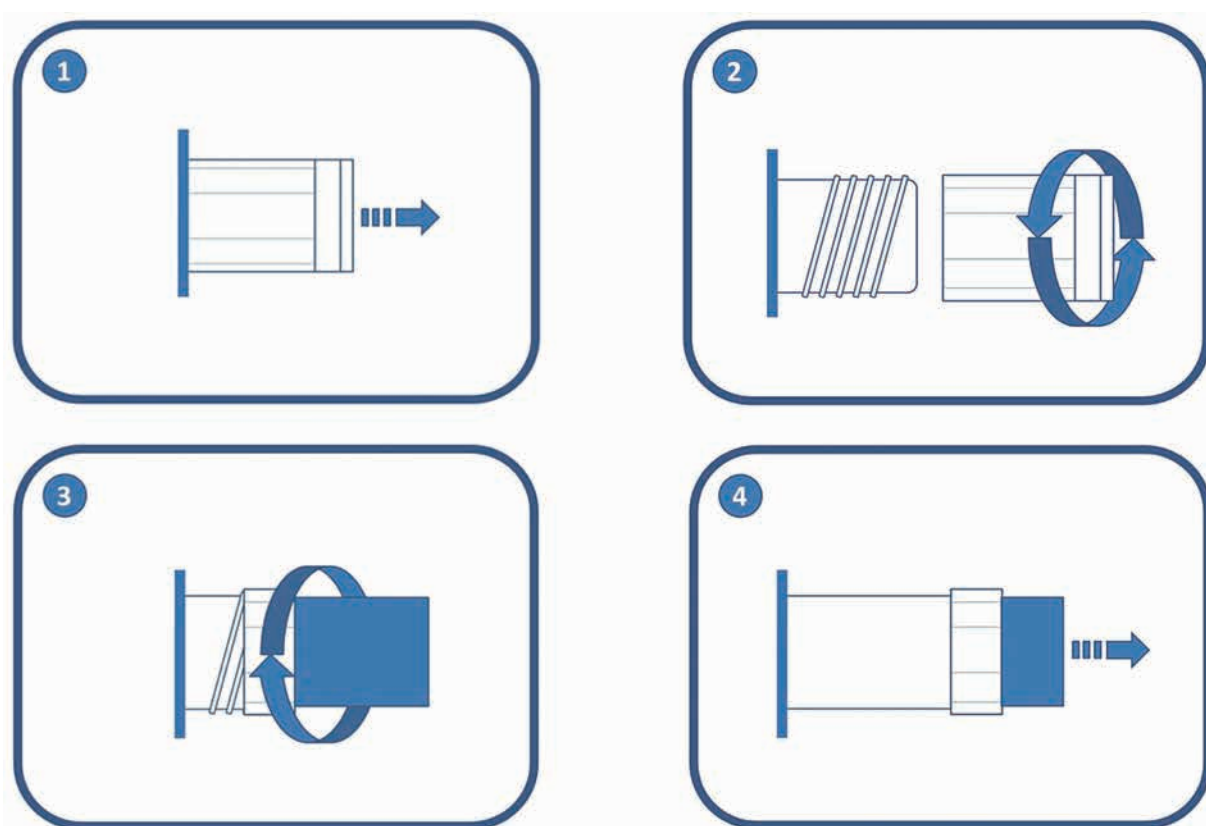
4. Esvaziamento do Spa

O Spa possui um sistema de esvaziamento manual, por gravidade, através de uma válvula de descarga de 3/4".

A válvula de descarga deve estar sempre fechada. Somente deverá ser aberta para esvaziar o Spa.

Se considerar conveniente, pode realizar a instalação de uma conduta de descarga que ligue o Spa ao sistema de evacuação geral da casa.

O funcionamento da válvula é o seguinte:



IMPORTANTE

Lembre-se de esvaziar o spa não é completa.
Para longos períodos de inatividade e, especialmente, no inverno eliminar água parada nos assentos e no fundo do spa com uma esponja.

A água restante dos tubos pode ser aspirado através dos bicos de ar e de água com uma bomba de sucção para os líquidos.

Deve também bombas vazias através do bujão de drenagem.

5. LIGAÇÃO ELÉCTRICA



ATENÇÃO – MUITO IMPORTANTE

- Este equipamento não pode ser ligado a uma tomada comum.
- Este equipamento exige uma instalação eléctrica adequada, que deve ser realizada por uma pessoa especializada, de acordo com as normas eléctricas de segurança em vigor em cada país.
- A alimentação eléctrica do Spa deve estar sempre protegida por um diferencial de alta sensibilidade. Recomenda-se um diferencial de 30 mA.
- É imprescindível realizar a ligação à tomada de terra.
- Utilize um cabo da secção adequada à potência do Spa e à distância do quadro.
- Respeite sempre as indicações do capítulo: Advertências de Segurança deste manual



ATENÇÃO – RISCO DE CHOQUE ELÉCTRICO

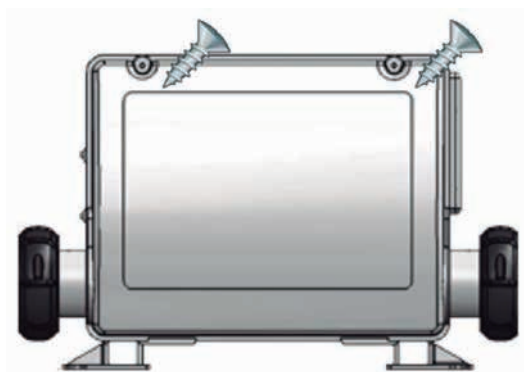
- Antes de realizar qualquer trabalho no Spa, deve-se desligar a alimentação eléctrica (diferencial na posição OFF, ou desligar o cabo da tomada).
- Não tente manipular nenhum componente eléctrico, se não é uma pessoa tecnicamente qualificada ou o Responsável da Manutenção.
- Para manipular os elementos eléctricos, utilize sempre equipamentos de protecção pessoal adequados, bem como as ferramentas adequadas.
- Não manipule os elementos eléctricos com o corpo molhado, especialmente com os pés molhados.
- Não ligue o equipamento eléctrico (diferencial na posição ON) quando o Spa estiver sem água.

Para ligar o Spa, realize os seguintes passos:

Abra o painel lateral do móvel que dá acesso aos componentes eléctricos.



Localize e abra o quadro eléctrico.



Ligue o painel eléctrico do Spa para o diferencial.

Instalação do diferencial

A instalação eléctrica deve incorporar um diferencial de alta sensibilidade de 2 pólos no quadro de entrada da corrente geral (o diferencial não é fornecido com o Spa).



ATENÇÃO

É imprescindível que o proprietário do Spa teste e restabeleça o interruptor diferencial regularmente para verificar se funciona correctamente. É aconselhável realizar esta operação no mínimo uma vez por mês. Verifique se o diferencial está na posição OFF (desligado). Só situe o diferencial na posição ON (ligado) quando o Spa estiver cheio de água.

Realizar a ligação do quadro eléctrico do Spa ao diferencial:

Antes de realizar qualquer trabalho no Spa, deve-se desligar a alimentação eléctrica (diferencial na posição *OFF*, ou desligar o cabo da tomada).

Instale um cabo desde o diferencial até ao armário eléctrico do Spa. Para isso, utilize um cabo adequado para o tipo de local onde o Spa será instalado e de acordo com a legislação em vigor aplicável. A secção do cabo variará em função do modelo do Spa e da distância da instalação.

Consulte os kW requeridos na folha anexa de Especificações Técnicas do Spa, tendo em conta o consumo máximo em função da configuração “High Amp” ou “Low Amp”.

Configuração High Amp/Low Amp:

Em função da configuração do Spa, o consumo eléctrico pode variar consideravelmente e, como consequência disso, o tipo de instalação apropriada para atender os requisitos de potência eléctrica.

LOW AMP:

Esta configuração desliga o aquecedor eléctrico quando qualquer bomba de massagem entra em funcionamento. Com tal configuração, consegue-se limitar o consumo eléctrico. É a configuração de fábrica por defeito.

HIGH AMP:

Esta configuração permite que todos os elementos do Spa possam funcionar ao mesmo tempo. Esta configuração requer uma instalação que apresenta um maior consumo eléctrico.

DIP SWITCH FUNCTIONS FOR BP SYSTEMS

Interruptores DIP de função fixa

- A1** Modo Teste (normalmente Off).
- A2** Na posição “ON”, adicione uma bomba de alta velocidade (ou ventilador) com aquecedor.
- A3** Na posição “ON”, adicione duas bombas de alta velocidade (ou 1 bomba e ventilador HS) com aquecedor.
- A4** Na posição “ON”, adicione quatro bombas de alta velocidade (ou 3 bombas e ventilador

HS) com aquecedor.

- A5** Na posição “ON”, permite Regra B de Amperagem Especial. Ver secção de Funções Especiais em Opções de Configuração relativamente à funcionalidade com o seu sistema. Se estiver na posição “OFF”, permite a Regra A de Amperagem Especial.
- A6** Restabelecimento da memória persistente (usado quando o spa se estiver a reiniciar para restabelecer as configurações de fábrica conforme a configuração do software).

A2, A3 e A4 funcionam em conjunto para determinarem o número de dispositivos e ventiladores de alta velocidade que podem operar antes de desativar o aquecimento. Isto é, A2 e A3 na posição ON e A4 na posição OFF irá possibilitar o funcionamento do aquecedor com, no máximo, 3 bombas de alta velocidade (ou duas bombas e ventilador HS) em simultâneo. O aquecimento desativa-se quando se ligar a quarta bomba ou ventilador de alta velocidade.

Nota: **A2/A3/A4** all off = Sem aquecimento em qualquer bomba ou ventilador de alta velocidade.

Interruptores DIP atribuíveis

A7 Na posição “ON”, permite um arrefecimento de 5 minutos para alguns aquecedores a gás (Tempo de Arrefecimento B). Na posição “OFF”, permite um arrefecimento de 1 minutos para alguns aquecedores eléctricos (Tempo de Arrefecimento A).

Aos interruptores não designados não se pode atribuir uma função.

NOTA IMPORTANTE:

Na Folha de Especificações Eléctricas, fornecida na última página do manual, poderá consultar tanto a potência “Low Amp” como a potência “High Amp”. Para determinar a secção dos condutores da instalação eléctrica, é necessário ter em conta os valores indicados na Folha de Especificações Eléctricas juntamente com a seguinte tabela:

Tabela de relação de secções, distância e potência requerida

	kW requeridos										
	2,1	2,5	2,8	3,2	3,5	4,4	5,3	6,2	7,0	7,9	8,8
Distância	Secção nominal do cabo em mm ²										
6 - 11 m	2,5	2,5	2,5	2,5	4	4	6	10	10	10	10
11 - 15 m	2,5	2,5	4	4	4	6	6	10	10	10	10
15 - 20 m	4	4	4	6	6	6	10	10	10	16	16

Para distâncias superiores, dever-se-á aumentar a secção do cabo proporcionalmente.

Podem existir configurações que obriguem a instalar 1 linha de 32 A, 2 linhas de 16 A ou mesmo uma linha trifásica (3 x 16 A) para satisfazer os requisitos de potência do Spa.

As opções de configuração do quadro eléctrico descrevem-se mais adiante neste Manual de Instalação.

Não se esqueça de que a instalação e as alterações da configuração eléctrica devem ser efectuadas por profissionais devidamente qualificados e respeitando sempre as normas em vigor em cada país.

O fabricante não se responsabiliza pelos possíveis danos resultantes de uma instalação inadequada ou realizada por pessoal não qualificado.



ATENÇÃO

Tenha em conta a posição do Switch de consumo máximo.
Se não utilizar o cabo adequado para a distância e a potência do Spa, o Spa não funcionará correctamente; podendo provocar o aquecimento excessivo dos circuitos eléctricos com o conseqüente risco de acidente eléctrico. Utilize sempre um cabo da secção adequada ao consumo máximo. Em caso de dúvida entre dois valores, utilize sempre o cabo de maior secção.

Para realizar a alimentação ao quadro eléctrico do Spa, localize o buçim situado num dos lados do quadro eléctrico.

Certifique-se de que não há corrente eléctrica no cabo de ligação (interruptor do diferencial na posição *OFF*)

Leve o cabo até ao quadro eléctrico do Spa.

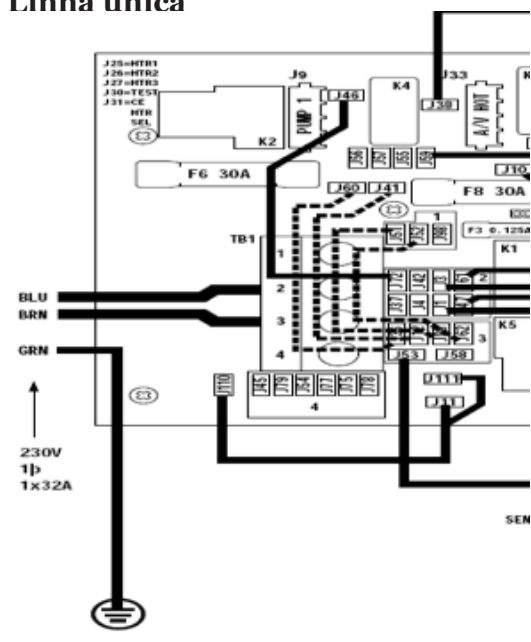
Abra a tampa do quadro eléctrico, introduza o cabo de alimentação pela lateral livre.

Atenção, o cabo azul é o neutro e o cabo castanho indica a linha ou fase.

Fixe os terminais do modo indicado nos esquemas apresentados abaixo e o tipo de alimentação eléctrica.

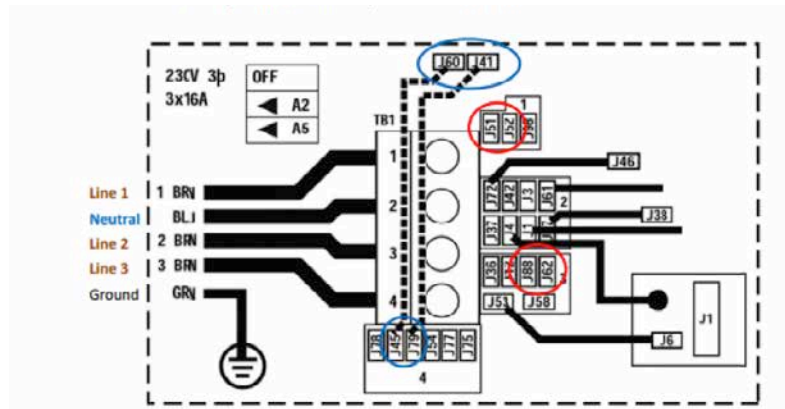
BP SYSTEM

Linha única



Como conectar sistemas BP2100 em três fases 400v

Linha de três fases



Remover pontes; J51-J88 e J52-J62 ○
 Altera estas pontes
 J60-J36 -> TO J60-J45 ○
 J41-J12 -> TO J41-J79 ○
 Requisitos de energia:

3 Serviços 5 fios: Linha 2, Linha 2, Linha 3, Neutro, Terra 400 VCA, 50/60 Hz* 3 fases, 16 A (potência do interruptor = 20 A máx. para cada linha de fase).

* Os sistemas BP detetam automaticamente 50 Hz vs. 60 Hz

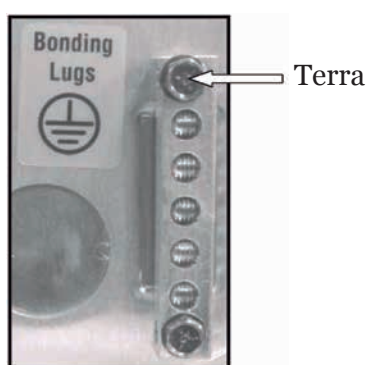


ATENÇÃO

É imprescindível uma correcta ligação à terra

O circuito de ligação à terra do edifício deve estar sempre em perfeitas condições para garantir a segurança do utilizador do Spa. Se tiver alguma dúvida a esse respeito, mande revisar o circuito de ligação à terra por pessoal devidamente qualificado. O fabricante não se responsabiliza pelos possíveis danos ou prejuízos resultantes de uma manutenção inadequada do circuito de ligação à terra.

Fixe o cabo de ligação à terra (amarelo e verde) no Terminal do exterior do armário de manobra da forma indicada no esquema abaixo:



ATENÇÃO

Somente ligue a alimentação eléctrica (diferencial na posição ON) quando o Spa estiver cheio de água.

6. COLOCAÇÃO EM FUNCIONAMENTO



ATENÇÃO

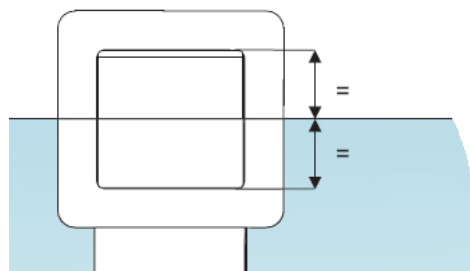
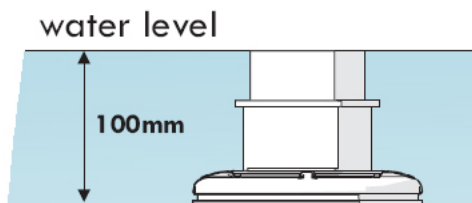
Antes de pôr o Spa em funcionamento, leia com atenção os seguintes pontos.

6.1. ENCHIMENTO DO SPA

O Spa não dispõe de um sistema de enchimento próprio. É recomendável utilizar um sistema de enchimento manual com uma mangueira de jardim ou similar.

Proceda da seguinte forma:

- Antes de começar a encher o Spa, localize a válvula de descarga (ver ponto *Localizar a Válvula de Descarga*) e assegure-se de que está na posição FECHADA.
- Encha o Spa pela parte superior, com água limpa.



6.2. ENCHIMENTO DE SPAS TRANSBORDANTES PRIVATIVOS

Recomenda-se utilizar um sistema de enchimento manual com uma mangueira de jardim ou similar.

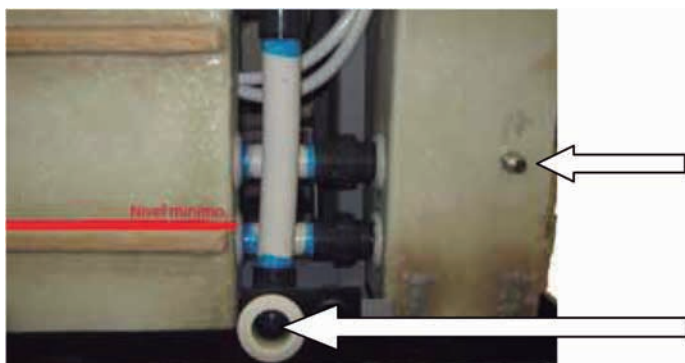
Para isso, realizar os seguintes procedimentos:

Antes de iniciar o enchimento do Spa, localizar as válvulas de descarga assegurar-se de que estão bem fechadas, excepto o dreno de segurança que permanecerá sempre aberto.

Encher o Spa com água limpa pela parte superior até que o Spa comece a transbordar.

Encher os três depósitos com um nível mínimo de 15 cm para que a bomba de filtração não absorva ar ao funcionar normalmente.

Ligar uma tomada de água da linha de fornecimento na entrada de um dos depósitos.



Entrada de água da linha de fornecimento

Dreno de segurança

O Spa dispõe de um sistema de enchimento que funciona por meio de uma bóia de nível. A saída desta bóia tem que estar ligada à linha de fornecimento com uma pressão de água contínua.

Quando, por causa da evaporação, o Spa perde água, o sistema enche os tanques novamente de forma automática.

Os depósitos de compensação incorporam um dreno de segurança para descarregar a água.



ATENÇÃO

OS DEPÓSITOS DE COMPENSAÇÃO DOS SPAS TRANSBORDANTES PRIVATIVOS TÊM UMA CAPACIDADE LIMITADA. PODEM ALBERGAR 280 LITROS DE ÁGUA, O QUE É EQUIVALENTE A 4 PESSOAS PARCIALMENTE SUBMERGIDAS. OS UTILIZADORES DEVEM ENTRAR NO SPA UM POR UM E DEVAGAR PARA PERMITIR QUE OS DEPÓSITOS ABSORVAM A ÁGUA DESLOCADA E EVITAR QUE A ÁGUA CAIA FORA DO SPA



ATENÇÃO

Durante o processo de enchimento, deve-se evitar que a água atinja as partes eléctricas. O uso de água do mar no Spa produz, em pouco tempo, uma deterioração generalizada em todos os componentes do circuito.

Não encha o Spa com água quente a mais de 50 °C, uma vez que o termóstato de segurança poderia disparar e danificar os equipamentos e as ligações.

Depois de encher o Spa, ligue o equipamento eléctrico situando o botão do interruptor do diferencial na posição ON (Ver ponto Ligação Eléctrica).

Somente utilize o Spa depois de ter lido com atenção toda a informação descrita nos pontos abaixo:

- Ajuste o pH da água entre 7,2 e 7,6 (ver ponto *Manutenção da Água*).
- Adicione todos os produtos químicos necessários e recomendados no ponto *Manutenção da Água* (*Manual de Manutenção*).
- Seleccione a Temperatura desejada (ver ponto *Teclado de Controlo do Spa*). Não esqueça que o Spa, partindo de água fria, pode chegar a necessitar 24 horas para alcançar uma temperatura de 38 °C.
- Antes de utilizar o Spa, verifique novamente os valores de pH resultantes dos tratamentos efectuados no ponto anterior.

7. AVARIAS E SOLUÇÕES

Problemas	Motivos	Soluções
O caudal de água filtrada é insuficiente	Filtro obstruído por sujidade.	Efectue a lavagem do filtro.
A bomba de massagem dos Jets não funciona. Não funciona nada.	O cabo do painel do controlo digital está desligado da placa. Falta de alimentação eléctrica Diferencial desligado.	Ligue o cabo à placa. Verifique a ligação da bomba ao quadro eléctrico. Ligue o diferencial.
A bomba da massagem de ar <i>Blower</i> não funciona.	O cabo do painel do controlo digital está desligado da placa. Falta de alimentação eléctrica. A bomba desliga-se automaticamente por superaquecimento.	Ligue o cabo à placa. Verifique a ligação da bomba ao quadro eléctrico. Deixe que a bomba arrefeça durante aprox. 3 horas e accione-a novamente
Sai água pelo <i>Venturi</i> .	Jets fechados. Jets mal instalados: A tampa externa do jet deve rodar um quarto de volta para abrir e fechar a entrada de água. Se a tampa rodar uma volta completa, significa que ela não está bem instalada, portanto, deverá retirar o jet e montá-lo correctamente.	Abra o jet. Retire o jet : Puxe a tampa externa para fora uns 2 cm. Desenrosque o jet rodando-o no sentido anti-horário. Uma vez desmontado, coloque novamente o jet, enroscando-o no sentido horário. Por último, encaixe a tampa externa.
Pouco caudal de ar nos Jets.	<i>Venturis</i> fechados.	Abra os <i>Venturis</i> .
Baixo caudal de ar.	Escovas do motor gastas.	Substitua a bomba.
A água não alcança a temperatura desejada.	Sonda deteriorada. Verificar temperatura programada.	Substitua a sonda de temperatura. Configure a temperatura.

Nota: No ponto *Mensagem de diagnóstico do painel de controlo (Manual do Utilizador)*, descrevem-se as mensagens de diagnóstico para solucionar possíveis avarias.

INHOUD

1. DALGEMENE DETAILS	136
2. VEILIGHEIDSWAARSCHUWINGEN	136
2.1. ALGEMEEN.....	136
2.2. WAARSCHUWINGEN BETREFFENDE INSTALLATIE EN MONTAGE	137
2.3. WAARSCHUWINGEN BETREFFENDE ONDERHOUD	137
3. INSTALLATIE EN MONTAGE	138
3.1. OPSTELLING EN PLAATSING VAN DE SPA	138
3.2. INSTALLATIE BUITENSHUIS	138
3.3. INSTALLATIE BINNENSHUIS	139
3.4. NIVELLEERBARE VERPLAATSBARE SPA'S	139
3.5. SWIMSPA - INSTALLATIE	140
3.6. BEGRAVEN SPA INSTALLEREN	143
4. HET LEDIGEN VAN DE SPA	144
5. ELEKTRISCHE VERBINDING	145
6. OPSTARTEN	152
6.1. DE SPA VULLEN	152
6.2. OPVULLEN VAN PRIVÉ-SPA'S MET OVERLOOPBEVEILIGING	152
7. STORINGEN EN OPLOSSINGEN	154



BELANGRIJK

Deze handleiding bevat fundamentele informatie betreffende de toe te passen veiligheidsmaatregelen bij de installatie en het opstarten van de spa. Het is dan ook van essentieel belang dat zowel de monteur als de gebruiker deze instructies lezen alvorens de spa te plaatsen en te starten.

1. ALGEMENE DETAILS

Deze gebruiksaanwijzing bevat alle informatie die nodig is om optimaal te kunnen genieten van uw spa. We raden u aan voldoende tijd te nemen om deze handleiding door te nemen. Indien u vragen heeft over of twijfelt aan de werking of het onderhoud van dit

product, gelieve dan contact op te nemen met uw monteur of plaatselijke dealer. Zij zijn gespecialiseerd in deze producten en hun professionele kennis zal u helpen om van dit product te kunnen genieten.

BELANGRIJK: De fabrikant behoudt zich het recht voor het ontwerp of de specificaties te wijzigen zonder voorafgaande kennisgeving en zonder enige verplichting.



OPGELET – BELANGRIJK

- Alvorens u enig werk uitvoert aan de spa, moet deze worden losgekoppeld van de elektrische bron (differentieel in de OFF-stand of de hoofdkabel loskoppelen).
- Deze installatie kan niet met een normaal stopcontact worden verbonden.
- Deze installatie vereist een passende elektrische installatie. Deze moet worden uitgevoerd door een gekwalificeerde persoon waarbij de elektrische veiligheidsnormen van ieder land in acht genomen worden.
- De elektrische voeding van de spa moet altijd beschermd worden door een hoogsensitieve differentieel. We raden een differentieel van 30 mA aan.
- Een aardverbinding is van essentieel belang. De aardingsleiding van het gebouw moet altijd in perfecte staat zijn opdat de veiligheid van de spagebruiker zou gewaarborgd worden. Indien u hieraan twijfelt, zorg er dan voor dat de aardingsleiding wordt gecontroleerd door een gekwalificeerde persoon. De fabrikant is niet verantwoordelijk voor eventuele schade die wordt veroorzaakt door een ongepast onderhoud van de aardingsleiding.
- Verbind de elektrische installatie (differentieel in de ON-stand) niet wanneer de spa leeg is.
- Gebruik een sectiekabel die aangepast is aan het vermogen van de spa en de afstand tot het paneel.
- Volg de aanwijzingen in het hoofdstuk Veiligheidswaarschuwingen van deze handleiding altijd op.
- Probeer nooit toegang te krijgen tot een elektrische component tenzij u daarvoor gekwalificeerd bent of aan het hoofd staat van de onderhoudsdienst.
- Bedien de elektrische elementen nooit met natte voeten.
- Het moet middelen om de spa van het net, als onderdeel van de vaste installatie los te koppelen op te nemen, volgens de geldende voorschriften.

2. VEILIGHEIDSWAARSCHUWINGEN

2.1. ALGEMEEN

- Vermijd contact met de elektrische spanning.
- Volg de huidige voorschriften betreffende ongevallenpreventie nauwgezet op.
- Iedere wijziging aan de installatie vereist een voorafgaande goedkeuring van de fabrikant. Originele reserveonderdelen en accessoires die goedgekeurd zijn door de fabrikant waarborgen een betere veiligheid. De fabrikant van de installatie is vrijgesteld van iedere wettelijke verantwoordelijkheid voor schade veroorzaakt door het gebruik van niet-goedgekeurde reserveonderdelen of accessoires.

- Tijdens de werking bevinden sommige onderdelen van de installatie zich onder gevaarlijke elektrische spanningsniveaus. Het werk aan een element of de installatie kan uitsluitend worden verricht zodra het element of de installatie werd losgekoppeld van de hoofdkabels en de starttoestellen werden losgemaakt.
- De gebruiker moet erop toezien dat montage- en onderhoudswerken worden uitgevoerd door gekwalificeerde en gemachtigde personen, en dat zij de installatie- en bedieningsinstructies nauwkeurig hebben gelezen.
- De veiligheid tijdens de werking van de machine kan alleen worden gewaarborgd indien de installatie en de onderhoudsinstructies worden gevolgd.
- De beperkingen die worden aangegeven op het elektrische bedieningspaneel mogen in geen geval worden overschreden.
- Neem contact op met de technische dienst van de fabrikant of de plaatselijke dealer van de fabrikant in geval van defect of panne.
- De spa moet worden geïnstalleerd volgens de huidige voorschriften die in ieder land van toepassing zijn, in het bijzonder de voorschriften betreffende elektrische veiligheid.
- Bij deze installatie bestaat het risico op overstroming, daarom moet deze worden geïnstalleerd in een omgeving die aangepast is om het water dat zou kunnen overstromen - tengevolge van het gebruik of van mogelijke lekken in een van de circuits (zie Garantie) - op te vangen en af te voeren (zowel onder als rond de spa).
- De installatie moet worden geïnstalleerd op een plaats die goed werd aangepast en waar men gemakkelijk toegang heeft tot alle componenten van de spa. De garantie dekt het werk niet dat moet worden uitgevoerd om het product te installeren of te vervangen. (Zie Garantie)
- Bij gebruik van een cover die niet is voorzien van het verankeren van elementen en / of veiligheid ongecontroleerde toegang tot de spa te voorkomen, is het raadzaam dat eventuele alternatieve element (bijvoorbeeld toegangscontrole behuizing of omheining ...) is geïnstalleerd om toegang te voorkomen of misbruik van de spa.

2.2. WAARSCHUWINGEN BETREFFENDE INSTALLATIE EN MONTAGE

- Ga wanneer u de elektrische kabels verbindt aan de installatie na of de opstelling binnen de verbindingsdoos correct is, controleer of er geen kabelresten in de doos blijven wanneer deze wordt afgesloten en of hij correct geaard is.
- Zorg er in het bijzonder voor dat het water niet kan binnendringen in de pompen of de elektrische onderdelen die onder spanning staan.

2.3. WAARSCHUWINGEN BETREFFENDE ONDERHOUD

- Zorg er, alvorens u enig elektrisch of mechanisch werk uitvoert, voor dat de machine is losgekoppeld van de hoofdkabel, en dat de starttoestellen geblokkeerd zijn.
- Raak de installatie niet aan met natte voeten.

3. INSTALLATIE EN MONTAGE

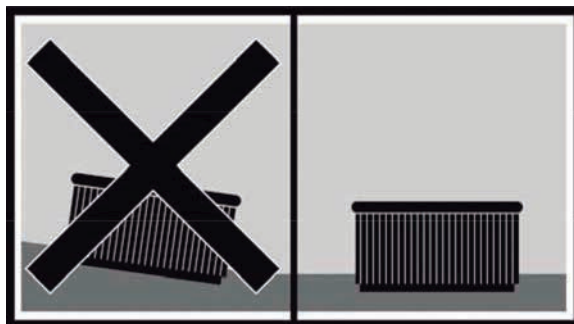
Zorg er, alvorens u de spa installeert en monteert, voor dat de verpakking van de spa in perfecte staat is. Neem onmiddellijk contact op met uw verdeler wanneer de verpakking is beschadigd.

3.1. OPSTELLING EN PLAATSING VAN DE SPA

Stel de spa horizontaal op, waarbij u de volledige basis van de eenheid op een zachte, vlakke en horizontale oppervlakte plaatst die in staat is het gewicht te dragen wanneer de spa in gebruik is (gevuld met water en het gewicht van de baders).

De spa mag niet op een gewelfd oppervlak of op blokken staan

Plaats de spa niet op een plaats waar water in het compartiment van de elektrische installatie zou kunnen lekken en zorg ervoor dat de eenheid niet direct in contact komt met zeer vochtige omgevingen. De zijde waar de motors zijn geplaatst, moet volledig toegankelijk zijn.



3.2. INSTALLATIE BUITENSHUIS

Indien u uw spa buiten wenst te installeren:

- Stel de spa niet bloot aan zonlicht wanneer hij leeg is en geen beschermingshoes draagt. Denk eraan dat lange blootstelling aan de zon het oppervlak van de spa en zijn accessoires kan beschadigen. Acryl neemt de warmte van de zonnestrallen snel op waardoor zeer hoge temperaturen worden bereikt die de spa kunnen beschadigen. De maximale absorptietemperatuur is 60°C.
- We raden u aan de Spa niet in de buurt van bomen te plaatsen, omdat vallende bladeren. De filter kunnen blokkeren.
- Wanneer de spa binnen een glazen structuur wordt geplaatst, voorkom dan dat zonnestrallen direct door het glas op de spa kunnen schijnen, aangezien de temperatuur overmatig warm zou kunnen zijn.





De spa mag niet leeg en onbedekt worden gelaten bij kamertemperaturen van meer dan 20 °C of minder dan 4 °C.

3.3. INSTALLATIE BINNENSHUIS

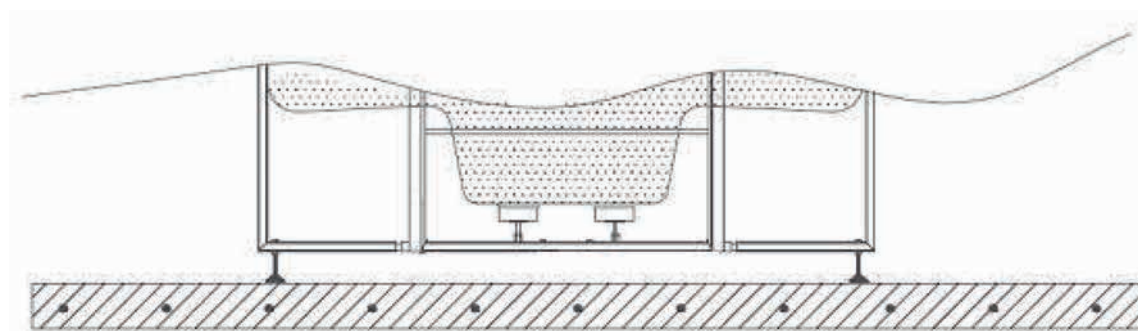
Het is aangeraden een afvoer in de omgeving van de spa te voorzien, om te verhinderen dat water zich rond de spa verzamelt en om een gevaarlijke toegang voor de baders te vermijden.

Vergeet niet dat de werking van de spa een verhoogde vochtigheid veroorzaakt. Daarom moet er een ventilatiesysteem worden voorzien om te vermijden dat de vochtige lucht samenpakt. Dit kan namelijk schade veroorzaken in de kamer waar de spa is geplaatst.

Het gebruik van een afsluiting vermindert het warmteverlies en de vochtige lucht in de ruimte.

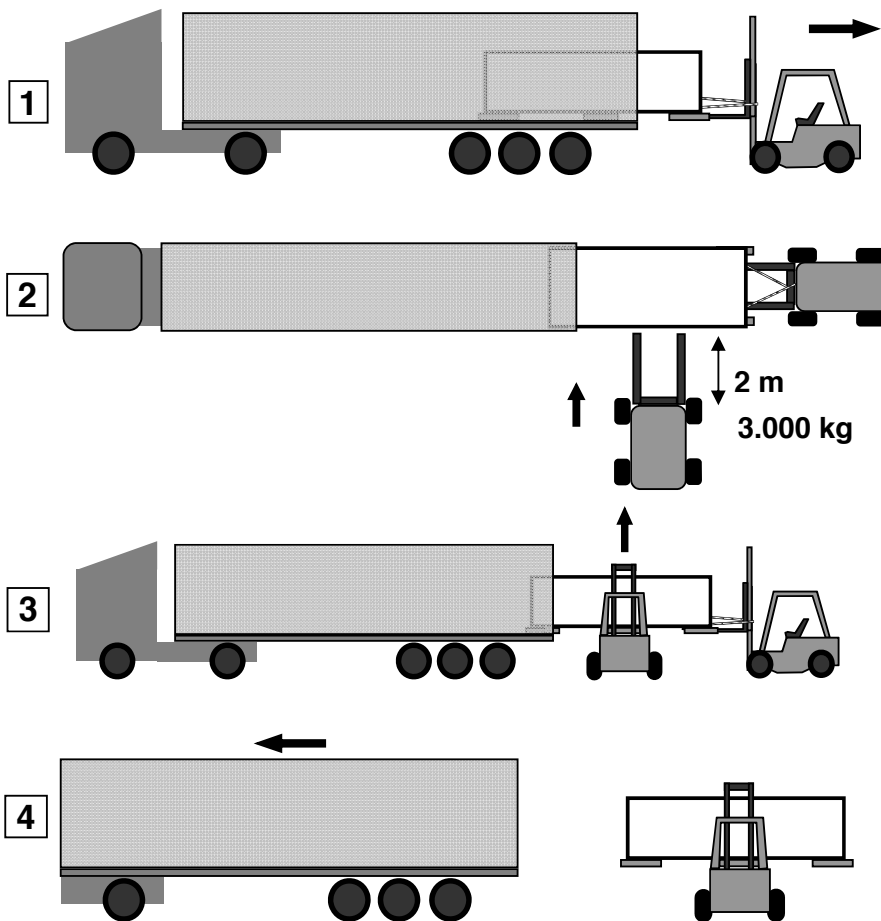
3.4. NIVELLEERBARE VERPLAATSBARE SPA'S

Sommige spa's beschikken over een nivelleerbare metalen structuur, teneinde de installatie te vereenvoudigen. Deze structuur heeft verschillende steunpunten. Voordat u de spa met water vult, dient u deze nivelleerpunten zodanig bij te stellen dat ze allemaal op de grond steunen.

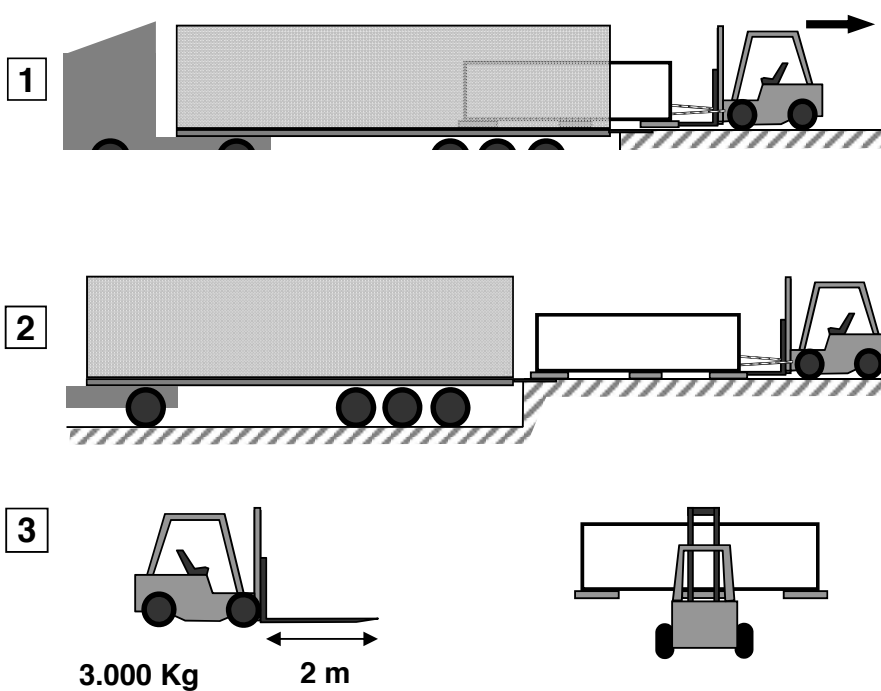


3.5. SWIMSPA - INSTALLATIE

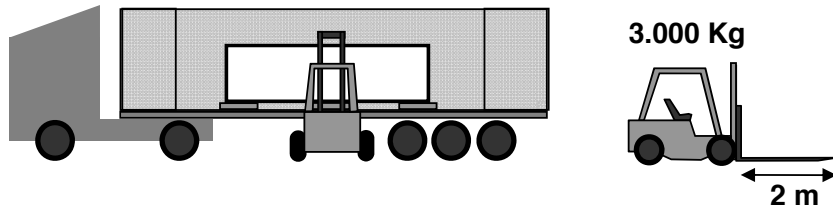
A. Swimspa - Container Download



B. Swimspa - Container Download B

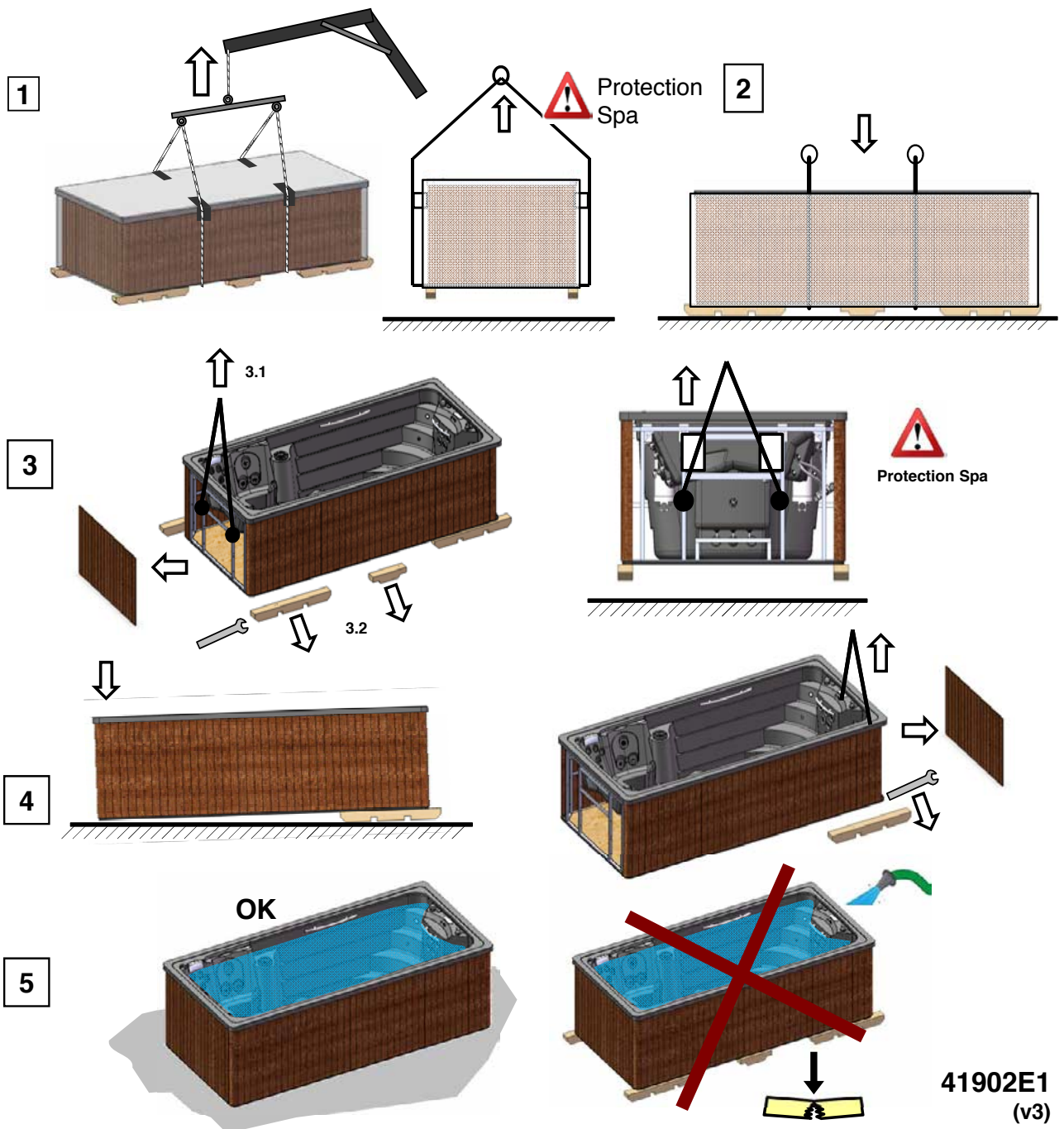


C. Swimsa - Truck Download



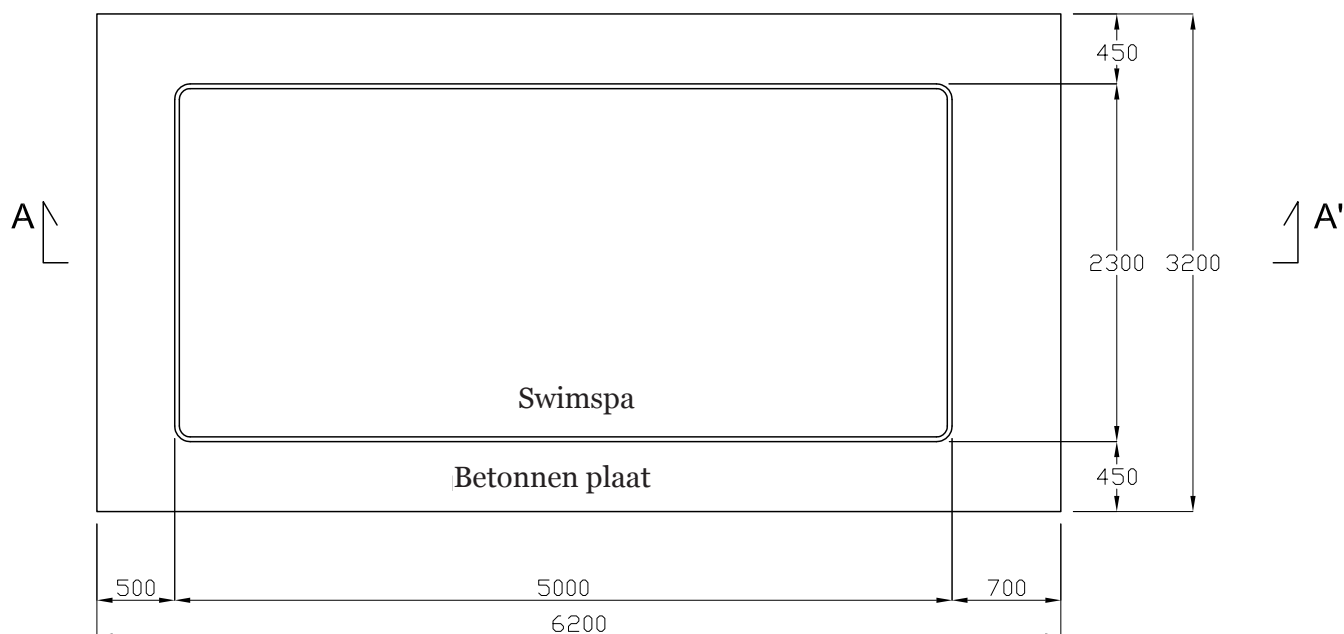
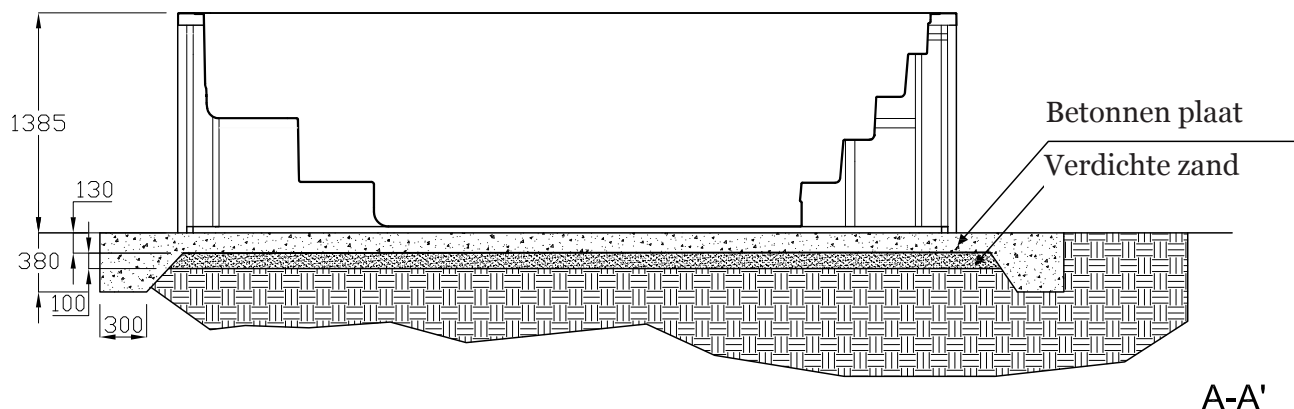
D. Swimsa - Installation

Dimensions & Weight:
See Technical Doc.



Tips over hoe je de basis voor SWIMSPA maken

Afmetingen in mm



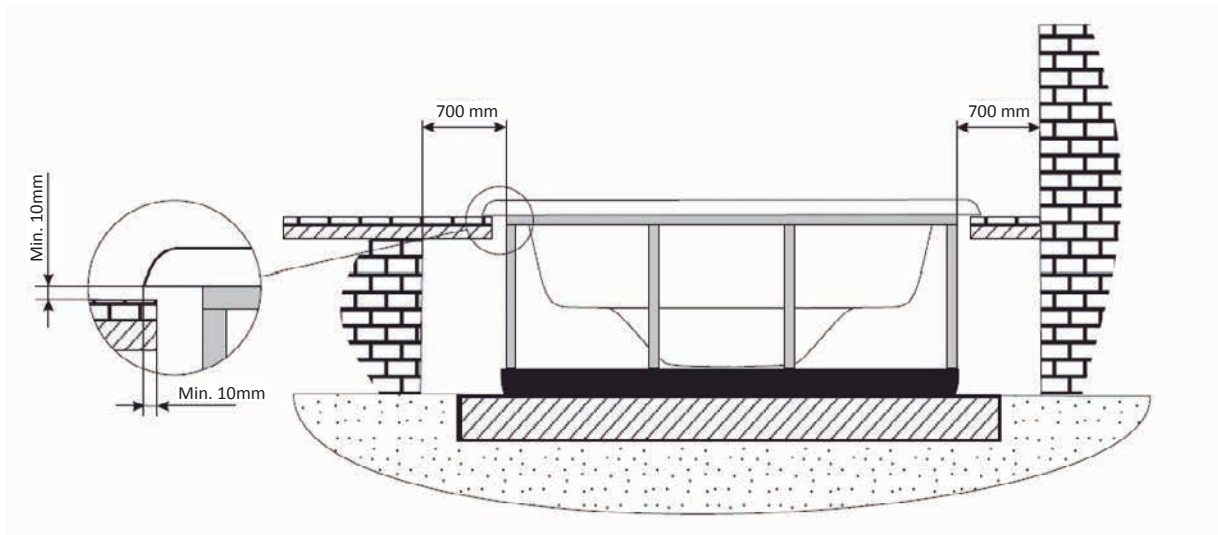
Opmerkingen:

Dit is een tekening/representatief voorbeeld. Voor het ontwerp en de uitvoering, raden wij u aan om een architect/ingenieur te raadplegen om te garanderen dat het terrein de betonnen funderingsplaat kan dragen met de Swimspa vol water, inclusief het gewicht van de personen die de SwimSpa gaan gebruiken en raamwerken of andere artikelen die zich in het ondersteuningsgebied bevinden. Dezelfde verantwoordelijkheid voor de installatie moet opgenomen worden voor de naleving van de lokale wetgeving voor funderingen en/of constructies.

3.6. BEGRAVEN SPA INSTALLEREN

Als je tien de ingegraven versie (voorbereid voor de begrafenis) Volg de onderstaande instructie:

Om vervorming en eventuele schade aan de behuizing te vermijden moet de structuur van de Spa niet aan de bodem bevestigd worden. De Spa zal eenvoudig door haar eigen gewicht op haar plaats gehouden worden; hang de Spa vooral nie op aan de randen aan de bovenzijde.



Wanneer de Spa eenmaal op zijn plaats staat, werk de inbouw af met tegels of soortgelijk materiaal, waarbij erop dient te worden gelet dat de behuizing van de Spa niet rechtstreeks in contact komt met het metselwerk (laat een ruimte van tenminste 2 centimeter rondom vrij).

Houd er rekening mee dat de toegang tot de pompen en het elektrische bedieningspaneel voldoende ruim moet zijn om onderhoud te kunnen verrichten. Deze ruimte moet tenminste 0,5 meter wijd zijn.

Gebruik speciale elastische siliconenkit voor sanitaire installaties om de ruimte tussen de rand van de Spa en het metselwerk te dicht.



BELANGRIJK

Laat een luik toegang tot de spa voor het onderhoud.

Geen beton bekleed met nooit
LAAT 70CM RUIJTE OM DE SPA

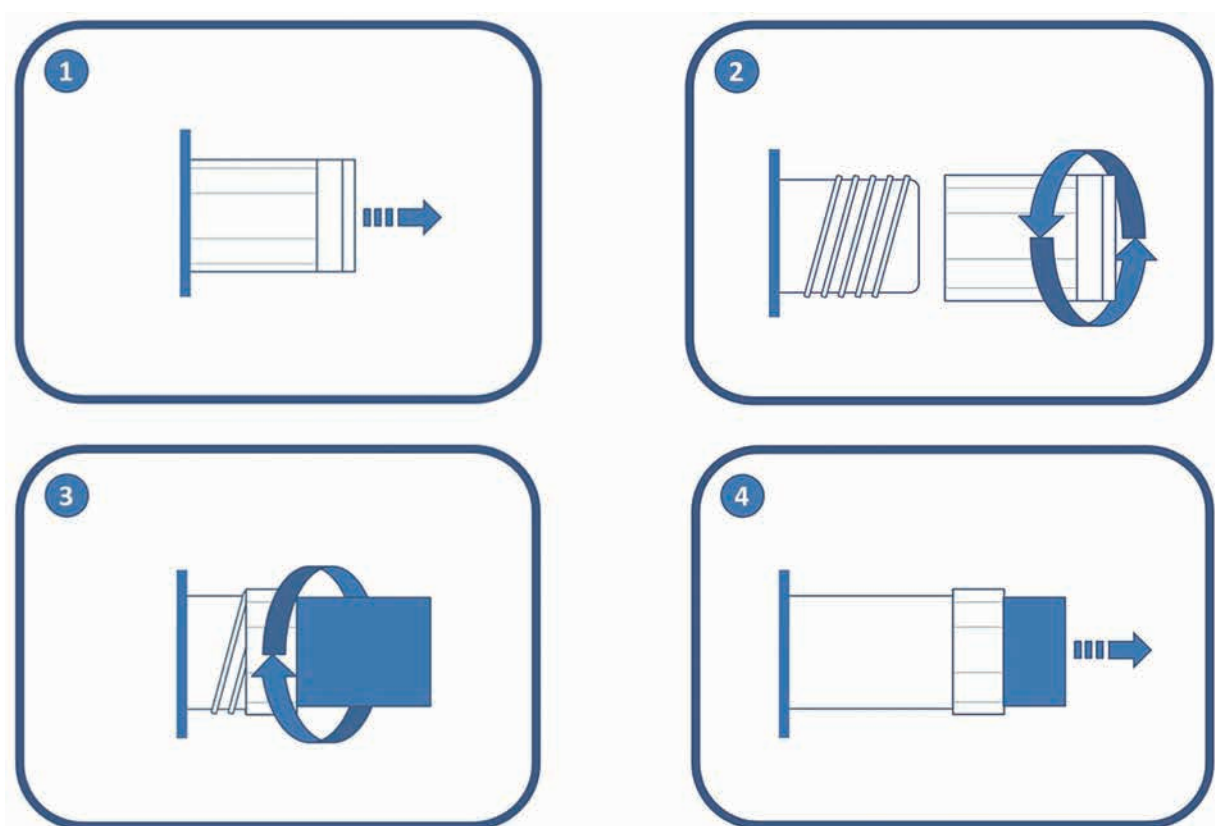
4. HET LEDIGEN VAN DE SPA

De spa heeft een manueel systeem om ledigen door middel van een kraan van 3/4".

De kraan moet steeds gesloten zijn. Je hoeft enkel deze kraan te openen wanneer de spa leeg gemaakt moet worden.

Indien noodzakelijk, kan er een systeem geplaatst worden om de spa te ledigen via uw huishoudelijke afloop.

Operatie van de afvoerkraan:



BELANGRIJK

Vergeet niet het legen van de spa is niet compleet.
 Voor lange periodes van inactiviteit en vooral in de winter elimineren stilstaand water op de stoelen en op de bodem van de spa met een spons.
 Het resterende water uit de leidingen kan worden aangezogen door de lucht en water nozzles met een zuigpomp voor vloeistoffen.
 Moet ook leeg pompen via de aftapplug .

5. ELEKTRISCHE VERBINDING



OPGELET – ZEE

- Deze installatie kan niet met een normaal stopcontact worden verbonden.
- Deze installatie vereist een passende elektrische installatie. Deze moet worden uitgevoerd door een gekwalificeerde persoon waarbij de elektrische veiligheidsnormen van ieder land in acht genomen worden.
- De elektrische toevoer van de spa moet altijd moeten worden beschermd door een hoogsensitieve differentieel. We raden een differentieel van 30 mA aan.
- Een aardingsverbinding is van essentieel belang.
- Gebruik een passende sectiekabel die aangepast is aan het vermogen van de spa en de afstand tot het controlepaneel.
- Volg de aanwijzingen in het hoofdstuk Veiligheidswaarschuwingen.



OPGELET - RISICO VAN ELEKTRISCHE ONTLADING

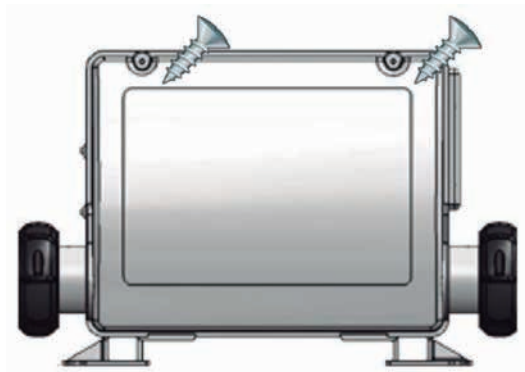
- De elektrische voeding moet worden uitgeschakeld (differentieel in de OFF-stand of de kabel loskoppelen van de hoofdkabels) voordat er enig werk wordt verricht.
- Probeer nooit toegang te krijgen tot een elektrische component tenzij u daartoe gekwalificeerd bent of aan het hoofd staat van de onderhoudsdienst.
- Maak altijd gebruik van een geschikte persoonlijke beschermingsuitrusting en het geschikte gereedschap wanneer u de elektrische installatie aanraakt.
- Raak elektrische elementen nooit aan wanneer u nat bent, in het bijzonder wanneer u natte voeten hebt.
- Verbind de elektrische installatie (differentieel in de ON-stand) niet wanneer de spa leeg is.

Volg de volgende stappen om de Spa te verbinden:

Open het zijpaneel van de kast die de toegang tot de elektrische componenten geeft .



Open de schakelkast.



Sluit het elektrische paneel van de Spa op het differentieel .

Installatie van de differentieel

De elektrische installatie zou een hoogsensitieve 2-polige differentieel moeten integreren in het algemene hoofdvoedingspaneel (de differentieel wordt niet geleverd bij de spa).

**OPGELET**

Let op de positie van de schakelaar voor maximaal verbruik.
De spa zal niet goed werken wanneer er gebruik wordt gemaakt van een kabel die niet overeenstemt met de afstand en het vermogen van de spa.
De elektrische circuits kunnen oververhit geraken, hetgeen een stroompanne kan veroorzaken. Maak altijd gebruik van een kabel met de passende sectie van maximale consumptie. Maak in geval van twijfel tussen twee waarden altijd gebruik van de kabel met de grotere sectie.

Verbind het elektrische bedieningspaneel van de spa met de differentieel

Koppel de stroomvoeding los (differentieel in de *OFF*-stand of de kabel loskoppelen van de hoofdkabels) voordat er enig werk wordt verricht aan de spa.

Maak gebruik van een gepaste kabel, afhankelijk van de ruimte waarin de spa wordt geïnstalleerd en de geldende voorschriften, van de differentieel naar de elektriciteitskast van de spa. De kabelsectie zal afhangen van het spamodel en de afstand van de installatie.

Maak gebruik van de volgende tabel om de kabelsectie te bepalen. De vereiste Kw kan worden nagegaan op het blad dat bijgevoegd is bij de Technische Specificaties van de spa bij maximaal verbruik.

Configuratie High Amp / Low Amp:

Afhankelijk van de wijze waarop de spa is geconfigureerd, kan er een aanzienlijk verschil zijn in energieverbruik; bijgevolg dient u de juiste installatie te kiezen die geschikt is voor de behoefte aan elektrisch vermogen.

LOW AMP:

Deze configuratie schakelt de elektrische boiler uit zodra een massagepomp in werking wordt gesteld. Met deze configuratie kan op het elektrisch verbruik bespaard worden. Het is de systeemgekozen waarde vanuit de fabriek.

HIGH AMP:

Met deze configuratie kunnen alle elementen van de spa tegelijkertijd in werking worden gesteld. Hiervoor heeft u een installatie met een groter elektrisch vermogen nodig.

DIP SWITCH FUNCTIONS FOR BP SYSTEMS

DIP-schakelaars voor vaste functies

- A1** Testmodus (normaal Uit).
- A2** in "AAN"-stand - Toevoeging één hogesnelheidspomp (of blower) met verwarmmer.
- A3** in "AAN"-stand - Toevoeging twee hogesnelheidspompen (of 1 HS-pomp en blower) met verwarmmer.

- A4** in “AAN”-stand - Toevoeging vier hogesnelheidspompen (of 3 HS-pompen en blower) met verwarmers.
- A5** in “AAN”-stand - Vrijgave speciale ampèreregel B. Zie sectie Speciale functies onder Configuratie-opties voor functionaliteit met uw systeem. De stand “OFF” activeert speciale ampèreregel A.
- A6** Reset het permanent geheugen (wordt gebruikt als de spa wordt opgestart voor herstel van de fabrieksinstellingen, als bepaald door de softwareconfiguratie).

A2, A3 en A4 werken gecombineerd samen om het aantal hogesnelheidspompen en blowers te bepalen dat in werking kan zijn voordat de verwarming wordt afgeschakeld. D.w.z.: met A2 en A3 in de ON-stand en A4 in de OFF-stand kan de verwarming werken met tegelijkertijd maximaal 3 hoge snelheidspompen (of twee HS-pompen en een blower). De verwarming wordt uitgeschakeld wanneer de vierde hogesnelheidspomp of blower wordt ingeschakeld.

Opmerking: A2/A3/A4 allemaal in off = Geen enkele warmte met een geactiveerde hogesnelheidspomp of blower.

Toewijsbare DIP-schakelaars

A7 in de “ON”-stand - Activeert een afkoelingsperiode van 5 minuten voor sommige gasverwarmers (koeltijd B). In de “OFF”-stand activeert de schakelaar een afkoeling van 1 minuut voor elektrische verwarmers (koeltijd A). De niet genoemde schakelaars hebben geen functie.

BELANGRIJK:

The Electric Specificatieblad bevestigt aan het einde van de handleiding geeft aan zowel de “Low Amp” en de “High Amp” macht. Om de kabeldoorsnede van de elektrische installatie te bepalen, zie de in dit blad en de volgende tabel waarden :

Lijst met secties, afstand en vereist vermogen

	noodzakelijk kW										
	2,1	2,5	2,8	3,2	3,5	4,4	5,3	6,2	7,0	7,9	8,8
Afstand	Nominale doorsnede van de kabel mm ²										
6 - 11 m	2,5	2,5	2,5	2,5	4	4	6	10	10	10	10
11 - 15 m	2,5	2,5	4	4	4	6	6	10	10	10	10
15 - 20 m	4	4	4	6	6	6	10	10	10	16	16

De kabelsectie moet proportioneel worden uitgebreid voor langere afstanden.

Sommige configuraties eisen voor de installatie van uw Spa een vermogen van 1 x 32A lijn, 2 x 16A lijn of zelfs een drie-phase lijn (3 x 16A).

De verschillende configuraties opties van de elektronische besturing worden hieronder verder uitgewerkt in deze handleiding.

Aandacht: Alle installaties en veranderingen in een elektrische sturingskast moeten uitgevoerd worden door een erkende elektriker, volgens de laatste verplichte richtlijnen van toepassing in elk land.

De fabricant is niet verantwoordelijk voor eventuele schade opgelopen door incorrecte installatie of installaties uitgevoerd door een niet erkende techniker.



OPGELET

Let op de positie van de schakelaar voor maximaal verbruik.
De spa zal niet goed werken wanneer er gebruik wordt gemaakt van een kabel die niet overeenstemt met de afstand en het vermogen van de spa.
De elektrische circuits kunnen oververhit geraken, hetgeen een stroompanne kan veroorzaken.
Maak altijd gebruik van een kabel met de passende sectie van maximale consumptie. Maak in geval van twijfel tussen twee waarden altijd gebruik van de kabel met de grotere sectie.

Om de toevoer aan het elektrische paneel van de spa te koppelen, plaatst u de pakkingbus die aan een uiteinde van het elektrische paneel is opgesteld. Zorg ervoor dat er geen elektrische stroom door de verbindingkabel stroomt (differentieel in de *OFF*-stand).

Neem de kabel die naar het elektrische paneel van de spa leidt.

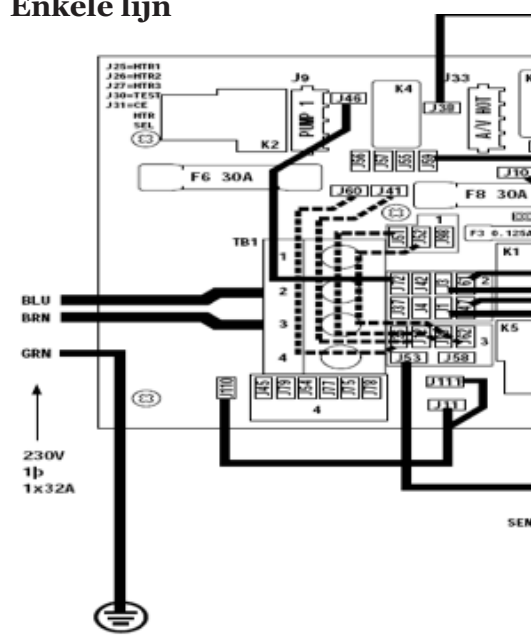
Open het deksel van de elektriciteitskast, breng de voedingskabel in via de vrije zijde.

Opgelet: de aangegeven blauwe kabel is neutraal, de bruine kabel geeft het snoer of de fase aan.

Maak de uiteinden vast zoals aangegeven in de volgende diagrammen, afhankelijk van het model of paneel (zie het label op het spaneel) en het type elektrische toevoer. Indien u vragen heeft over het geleverde paneel, neem dan contact op met uw verkoper of erkende dealer.

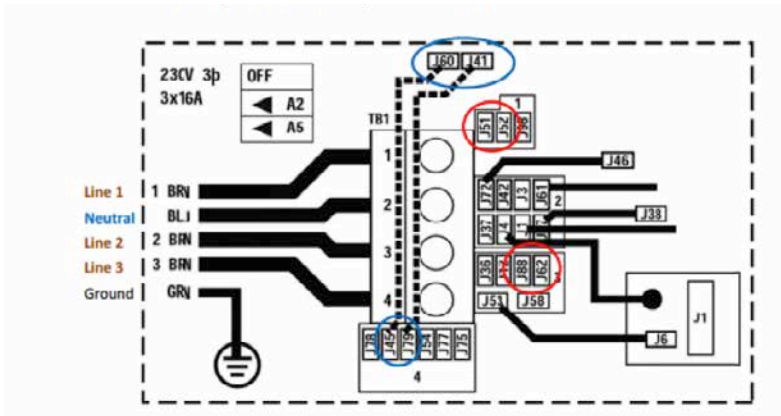
BP SYSTEM

Enkele lijn



Hoe BP2100-systemen in drie fasen 400v aansluiten

Driefasenlijn



Verwijder bruggen; J51-J58 en J52-J62 ○
 Vervang deze bruggen
 J60-J36 -> TO J60-J45 ○
 J41-J12 -> TO J41-J79

Vereiste bedrading

3 Dienst 5 draden: Lijn 2, Lijn 3, Neutraal, Aarding 400VCA, 50/60 Hz* 3-fase, 16A (Circuitonderbrekingswaarde = max 20A per faselijn).

* BP-systemen detecteren automatisch 50 Hz of 60 Hz



OPGELET

Een correcte aarding is van essentieel belang.

De aardingsleiding van het gebouw moet altijd in perfecte staat zijn om de veiligheid van de spa gebruikers te garanderen. Indien u hieraan twijfelt, zorg er dan voor dat de aardingsleiding wordt gecontroleerd door een voldoende gekwalificeerde persoon. De fabrikant kan niet verantwoordelijk worden gehouden voor eventuele schade die werd veroorzaakt door foutief onderhoud van de aardingsleiding.

Verbind de aardingskabel (geel en groen) met het contact aan de buitenkant van de controlekast, zoals aangegeven op het volgende schema:



Aardverbinding



OPGELET

Schakel de stroom niet in (differentieel in de ON-stand) voordat de spa is gevuld met water.

6. OPSTARTEN



OPGELET

Lees de volgende punten zorgvuldig alvorens van start te gaan.

6.1. DE SPA VULLEN

De spa beschikt niet over een specifiek vulsysteem. We raden u aan gebruik te maken van een manueel vulsysteem met een tuinslang of dergelijke.

Ga als volgt te werk:

- Plaats de afvoerklep (zie “De afvoerklep plaatsen”) alvorens u de spa begint te vullen en zorg ervoor dat deze in de CLOSED-positie staat.
- Vul de spa tot boven met schoon water.



6.2. OPVULLEN VAN PRIVÉ-SPA'S MET OVERLOOPBEVEILIGING

Wij raden u aan om gebruik te maken van een handmatig opvulsysteem met een tuinslang of een soortgelijke leiding.

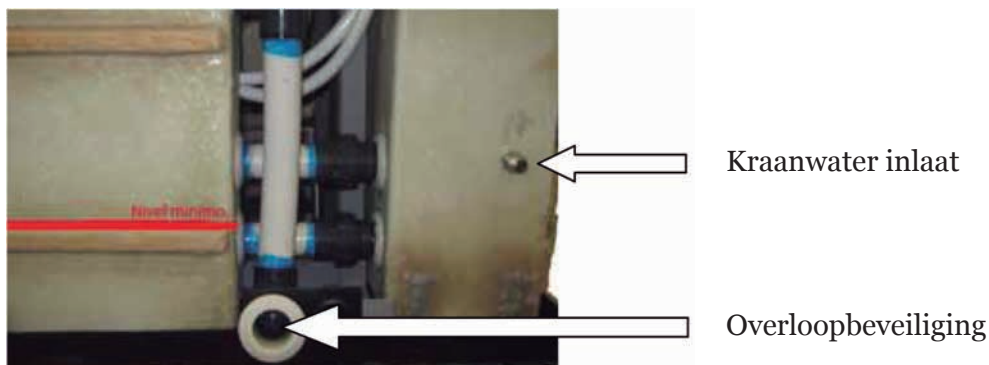
Ga als volgt te werk:

Voordat u de spa met water vult, dient u zich ervan te verzekeren dat de draineerkleppen goed afgesloten zijn, behalve de veiligheidsafvoer die te allen tijde open moet blijven.

Vul de spa aan de bovenkant met schoon water, totdat deze overloopt.

Vul de drie reservoirs minimaal met 15 cm water zodat er geen lucht in de filterpomp achterblijft als deze normaal in werking is.

Sluit een Kraanwater inlaat op een van de reservoirs aan.



De spa is voorzien van een opvulstelsel met een vlotter; de uitgang van de vlotter dient aan de waterleiding aangesloten te zijn, waarbij het belangrijk is dat deze een constante waterdruk heeft.

Wanneer de spa water verliest door verdamping, worden de reservoirs automatisch door het systeem bijgevuld.

De compensatiereservoirs zijn voorzien van een overloopbeveiliging om het wateroverschot weg te pompen.



OPGELET

DE CAPACITEIT VAN DE COMPENSATIERESERVOIRS VAN DE PRIVÉ-SPA'S
MET OVERLOOPBEVEILIGING IS GEBEPERKT.

DE MAXIMALE WATERINHOUD IS 280 LITER, GELIJKWAARDIG AAN 4 GEDEELTELIJK
ONDERGEDOMPTELDE PERSONEN.

DE GEBRUIKERS DIENEN ÉÉN VOOR ÉÉN, VOORZICHTIG IN DE SPA TE STAPPEN ZODAT HET VERPLAATSTE
WATER DOOR DE RESERVOIRS OP KAN WORDEN GEVANGEN EN NIET BUITEN DE SPA VALT.



OPGELET

Let er tijdens het vulproces op dat het water niet in de elektrische onderdelen komt.
Wanneer u gebruik maakt van zeewater voor uw spa zullen de leidingonderdelen snel
verslijten.

Vul de spa niet met warm water, aangezien dit ervoor kan zorgen dat de
veiligheidsthermostaat afspringt en de installatie en de verbindingen kan beschadigen.

Verbind de elektrische installatie door de differentieel in de ON-stand te zetten (zie Elektrische verbinding), zodra de spa gevuld is met water.

Gebruik de spa niet zonder eerst zorgvuldig alle informatie te lezen, die nauwkeurig wordt beschreven in de volgende punten:

- Stel de pH-waarde van het water af tussen 7,2 en 7,6 (zie Wateronderhoud).
- Voeg alle vereiste chemische producten toe die worden aanbevolen in Wateronderhoud (Onderhoudshandleiding).
- Selecteer de vereiste temperatuur (zie Controlepaneel van de spa). Denk eraan dat wanneer het water koud is, het 24 uur kan duren om een temperatuur van 38 °C te bereiken.
- Controleer alvorens u gebruik maakt van de spa nogmaals de pH-waarden omdat deze zouden kunnen gewijzigd zijn door de behandelingen die hierboven worden aangegeven.

7. STORINGEN EN OPLOSSINGEN

Problemen	Redenen	Oplossingen
Onvoldoende toevoer van gefilterd water.	Filter wordt belemmerd door vuil	Was de filter.
De massagepomp of van de Jets werkt niet De spa werkt niet.	De kabel van het digitale controlepaneel control panel is losgekoppeld van het bord. Geen elektrische voeding De differentieel is uitgeschakeld	Verbind de kabel met het bord. Ga na of de pomp is verbonden met het elektrische controle- paneel. Schakel de differentieel in.
De massagepomp het van de luchtblazer werkt niet.	De kabel van het digitale controlepaneel is losgekoppeld van het bord. Geen elektrische voeding De pomp werd uitgeschakeld door oververhitting	Verbind de kabel met board. Ga na of de pomp is verbonden met het elektrische con-trole-paneel. Laat het zo'n 3 uur afkoelen en start de pomp dan weer.
Water lekt via de venturibuis	De jets zijn dicht.. De jets werden niet juist geïnstalleerd. De buitenste kap van de jet draait een kwartslag om de watertoevoer te openen en te sluiten. Als deze kap een volledige draai maakt, is ze niet goed geïnstalleerd, en zal de jet moeten worden verwijderd en dan juist moeten worden geïnstalleerd.	Maak de jet open. Verwijder de jet. Trek de buitenste kap ongeveer 2 cm naar buiten. Maak de jet los in tegenwijzerzin. Vervang de jet zodra deze ontmanteld is door ze in wijzerzin vast te schroeven. Druk de buitenste kap terug op z'n plaats.
Beperkte luchttoevoer.	De borstels van de motor zijn versleten.	Vervang de pomp.
Het water bereikt temperatuur-de verlangde temperatuur niet.	De sensor is beschadigd. Controleer de ingestelde temperatuur.	Vervang de sensor. Stel de temperatuur in.
Beperkte luchttoevoer in de venturibuizen jets	De venturibuizen zijn dicht.	Maak de open.

Opmerking: In de paragraaf Diagnosebericht van het controlepaneel (Handleiding), worden de diagnoseberichten weergegeven om eventuele defecten op te lossen.

2.0	4.8	7.6	13.2	19.6	32.0	5.4	32.0	1.0	0.15	TOTAL OPTIONS (KW)															GROUP F1						GROUP F													
										GROUP C2					GROUP C3					GROUP C4					GROUP D					GROUP E					GROUP F					GROUP F1				
										HEATER	CIRC PUMP JA35	MASSAGE PUMP LP250	MASSAGE PUMP LP250	BLOWER AB900	HEATER	CIRC PUMP JA35	MASSAGE PUMP LP300	MASSAGE PUMP LP300	BLOWER LB900	HEATER	CIRC PUMP JA35	MASSAGE PUMP LP300	MASSAGE PUMP LP300	BLOWER LB900	HEATER	CIRC PUMP JA35	MASSAGE PUMP LP250	MASSAGE PUMP LP250	MASSAGE PUMP LP250	MASSAGE PUMP LP250	MASSAGE PUMP LP300	MASSAGE PUMP LP300	MASSAGE PUMP LP300	HEATER	CIRC PUMP JA35	MASSAGE PUMP LP250	MASSAGE PUMP LP250	MASSAGE PUMP LP250	MASSAGE PUMP LP250	MASSAGE PUMP LP300	MASSAGE PUMP LP300	MASSAGE PUMP LP300	HEATER	CIRC PUMP JA35
LOW AMP	LOW AMP	LOW AMP	LOW AMP	LOW AMP	LOW AMP	LOW AMP	LOW AMP	LOW AMP	LOW AMP	LOW AMP	LOW AMP	LOW AMP	LOW AMP	LOW AMP	LOW AMP	LOW AMP	LOW AMP	LOW AMP	LOW AMP	LOW AMP	LOW AMP	LOW AMP	LOW AMP	LOW AMP	LOW AMP	LOW AMP	LOW AMP	LOW AMP	LOW AMP	LOW AMP	LOW AMP	LOW AMP	LOW AMP	LOW AMP	LOW AMP	LOW AMP	LOW AMP	LOW AMP	LOW AMP	LOW AMP	LOW AMP			
MAX	7.4	32.2	4.4	19.1	8.2	35.7	5.2	22.6	8.7	37.8	5.7	24.8	5.8	25.2	3.6	15.7	7.0	30.4	4.0	17.4	10.0	43.5	7.0	30.4	8.8	38.3	5.8	25.2																
1	19.11	32.15	4.40	19.11	8.20	35.63	5.20	22.59	8.70	37.80	5.70	24.76	5.80	25.20	3.60	15.63	7.00	30.41	4.00	17.37	10.00	43.46	7.00	30.41	8.80	38.24	5.80	25.20																
1	7.38	32.08	4.38	19.03	8.18	35.55	5.18	22.51	8.68	37.73	5.68	24.68	5.78	25.12	3.58	15.55	6.98	30.34	3.98	17.29	9.98	43.38	6.98	30.34	8.78	38.16	5.78	25.12																
1	7.38	32.10	4.38	19.06	8.18	35.58	5.18	22.54	8.68	37.76	5.68	24.71	5.78	25.15	3.58	15.58	6.98	30.37	3.98	17.32	9.98	43.41	6.98	30.37	8.78	38.19	5.78	25.15																
1	7.37	32.05	4.37	19.01	8.17	35.53	5.17	22.49	8.67	37.70	5.67	24.66	5.77	25.10	3.57	15.53	6.97	30.31	3.97	17.27	9.97	43.36	6.97	30.31	8.77	38.14	5.77	25.10																
1	0.01	7.26	31.55	4.26	18.51	8.06	35.03	5.06	21.99	8.56	37.21	5.56	24.16	5.66	24.60	3.46	15.03	6.86	29.81	3.86	16.77	9.86	42.86	6.86	29.81	8.66	37.64	5.66	24.60															
1	7.26	31.58	4.26	18.54	8.06	35.06	5.06	22.02	8.56	37.24	5.56	24.19	5.66	24.63	3.46	15.06	6.86	29.84	3.86	16.80	9.86	42.89	6.86	29.84	8.66	37.67	5.66	24.63																
1	7.25	31.53	4.25	18.49	8.05	35.01	5.05	21.97	8.55	37.18	5.55	24.14	5.65	24.57	3.45	15.01	6.85	29.78	3.85	16.75	9.85	42.87	6.85	29.79	8.65	37.62	5.65	24.57																
1	7.38	32.09	4.38	19.04	8.18	35.57	5.18	22.52	8.68	37.74	5.68	24.70	5.78	25.13	3.58	15.57	6.98	30.35	3.98	17.31	9.98	43.39	6.98	30.35	8.78	38.17	5.78	25.13																
1	7.39	32.12	4.39	19.07	8.19	35.59	5.19	22.55	8.69	37.77	5.69	24.73	5.79	25.16	3.59	15.59	6.99	30.38	3.99	17.33	9.99	43.42	6.99	30.38	8.79	38.20	5.79	25.16																
1	7.27	31.57	4.27	18.52	8.06	35.04	5.06	22.00	8.56	37.22	5.56	24.17	5.66	24.61	3.46	15.04	6.86	29.83	3.86	16.78	9.86	42.87	6.86	29.83	8.66	37.65	5.66	24.61																
1	7.27	31.59	4.27	18.50	8.05	35.02	5.02	21.98	8.55	37.19	5.55	24.15	5.65	24.59	3.45	15.02	6.85	29.80	3.85	16.76	9.85	42.85	6.85	29.80	8.65	37.63	5.65	24.64																
1	7.38	32.10	4.38	19.06	8.18	35.58	5.18	22.53	8.68	37.75	5.68	24.71	5.78	25.14	3.58	15.58	6.98	30.36	3.98	17.32	9.98	43.40	6.98	30.36	8.78	38.19	5.78	25.14																
1	7.38	32.08	4.38	19.03	8.18	35.55	5.18	22.51	8.68	37.73	5.68	24.69	5.78	25.12	3.58	15.55	6.98	30.34	3.98	17.29	9.98	43.38	6.98	30.34	8.78	38.16	5.78	25.12																
1	7.28	31.58	4.28	18.53	8.06	35.05	5.05	22.01	8.56	37.23	5.56	24.18	5.66	24.62	3.46	15.05	6.86	29.82	3.86	16.80	9.86	42.88	6.86	29.84	8.66	37.65	5.66	24.62																
1	7.27	31.57	4.27	18.52	8.06	35.05	5.05	22.01	8.56	37.25	5.57	24.22	5.67	24.65	3.47	15.09	6.87	29.87	3.87	16.82	9.87	42.91	6.87	29.87	8.67	37.69	5.67	24.65																
1	7.26	31.55	4.26	18.51	8.06	35.03	5.06	21.99	8.56	37.21	5.56	24.16	5.66	24.60	3.46	15.03	6.86	29.82	3.86	16.77	9.86	42.86	6.86	29.82	8.66	37.64	5.66	24.65																
1	7.26	31.57	4.26	18.52	8.06	35.04	5.06	22.00	8.56	37.26	5.57	24.21	5.67	24.64	3.47	15.07	6.87	29.86	3.87	16.81	9.87	42.90	6.87	29.86	8.67	37.68	5.67	24.64																
1	7.26	31.56	4.26	18.52	8.06	35.04	5.06	22.00	8.56	37.26	5.57	24.21	5.67	24.64	3.47	15.07	6.87	29.86	3.87	16.81	9.87	42.90	6.87	29.86	8.67	37.68	5.67	24.64																
1	7.26	31.56	4.26	18.52	8.06	35.04	5.06	22.00	8.56	37.26	5.57	24.21	5.67	24.64	3.47	15.07	6.87	29.86	3.87	16.81	9.87	42.90	6.87	29.86	8.67	37.68	5.67	24.64																
1	7.28	31.58	4.28	18.53	8.06	35.05	5.05	22.01	8.56	37.25	5.56	24.19	5.66	24.62	3.46	15.05	6.86	29.84	3.86	16.80	9.86	42.88	6.86	29.84	8.66	37.65	5.66	24.62																
1	7.27	31.57	4.27	18.52	8.06	35.05	5.05	22.01	8.56	37.25	5.57	24.22	5.67	24.65	3.47	15.09	6.87	29.87	3.87	16.82	9.87	42.91	6.87	29.87	8.67	37.69	5.67	24.65																
1	7.26	31.55	4.26	18.51	8.06	35.03	5.06	21.99	8.56	37.26	5.57	24.21	5.67	24.64	3.47	15.09	6.87	29.87	3.87	16.82	9.87	42.91	6.87	29.87	8.67	37.69	5.67	24.65																
1	7.26	31.55	4.26	18.52	8.06	35.04	5.06	22.00	8.56	37.26	5.57	24.21	5.67	24.64	3.47	15.09	6.87	29.87	3.87	16.82	9.87	42.91	6.87	29.87	8.67	37.69	5.67	24.65																
1	7.26	31.55	4.26	18.52	8.06	35.04	5.06	22.00	8.56	37.26	5.57	24.21	5.67	24.64	3.47	15.09	6.87	29.87	3.87	16.82	9.87	42.91	6.87	29.87	8.67	37.69	5.67	24.65																
1	7.26	31.55	4.26	18.52	8.06	35.04	5.06	22.00	8.56	37.26	5.57	24.21	5.67	24.64	3.47	15.09	6.87	29.87	3.87	16.82	9.87	42.91	6.87	29.87	8.67	37.69	5.67	24.65																
1	7.26	31.55	4.26	18.52	8.06	35.04	5.06	22.00	8.56	37.26	5.57	24.21	5.67	24.64	3.47	15.09	6.87	29.87	3.87	16.82	9.87	42.91	6.87	29.87	8.67	37.69	5.67	24.65																
1	7.26	31.55	4.26	18.52	8.06	35.04	5.06	22.00	8.56	37.26	5.57	24.21	5.67	24.64	3.47	15.09	6.87	29.87	3.87	16.82	9.87	42.91	6.87	29.87	8.67	37.69	5.67	24.65																
1	7.26	31.55	4.26	18.52	8.06	35.04	5.06	22.00	8.56	37.26	5.57	24.21	5.67	24.64	3.47	15.09	6.87	29.87	3.87	16.82	9.87	42.91	6.87	29.87	8.67	37.69	5.67	24.65																
1	7.26	31.55	4.26	18.52	8.06	35.04	5.06	22.00	8.56	37.26	5.57	24.21	5.67	24.64	3.47	15.09	6.87	29.87	3.87	16.82	9.87	42.91	6.87	29.87	8.67	37.69	5.67	24.65																
1	7.26	31.55	4.26	18.52	8.06	35.04	5.06	22.00	8.56	37.26	5.57	24.21	5.67	24.64	3.47	15.09	6.87	29.87	3.87	16.82	9.87	42.91	6.87	29.87	8.67	37.69	5.67	24.65																
1	7.26	31.55	4.26	18.52	8.06	35.04	5.06	22.00	8.56	37.26	5.57	24.21	5.67	24.64	3.47	15.09	6.87	29.87	3.87	16.82	9.87	42.91	6.87	29.87	8.67	37.69	5.67	24.65																

